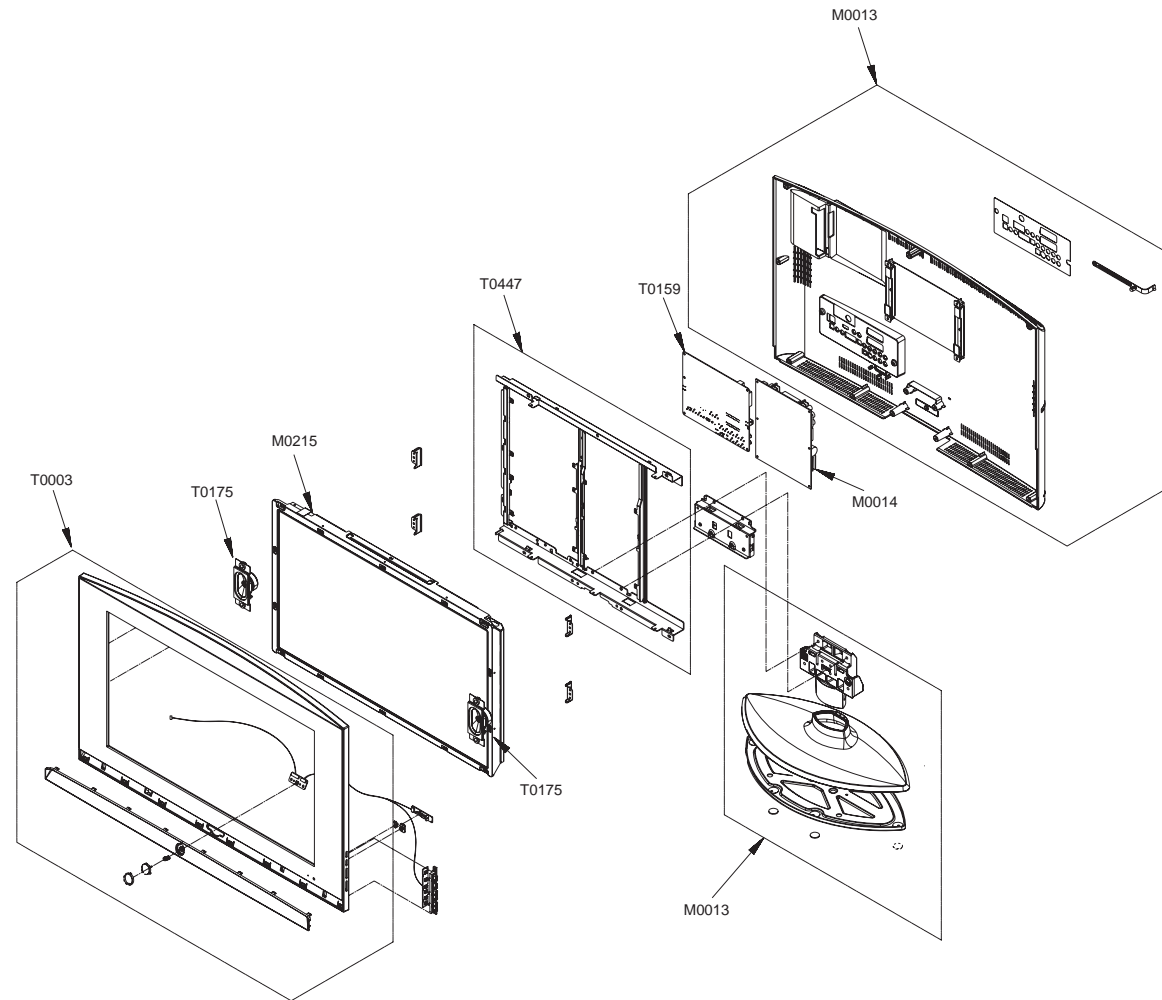


5 Exploded View and Parts List

- You can search for updated part codes through ITSELF web site.
URL : <http://itself.sec.samsung.co.kr/>

5-1 LA27S71B Exploded View

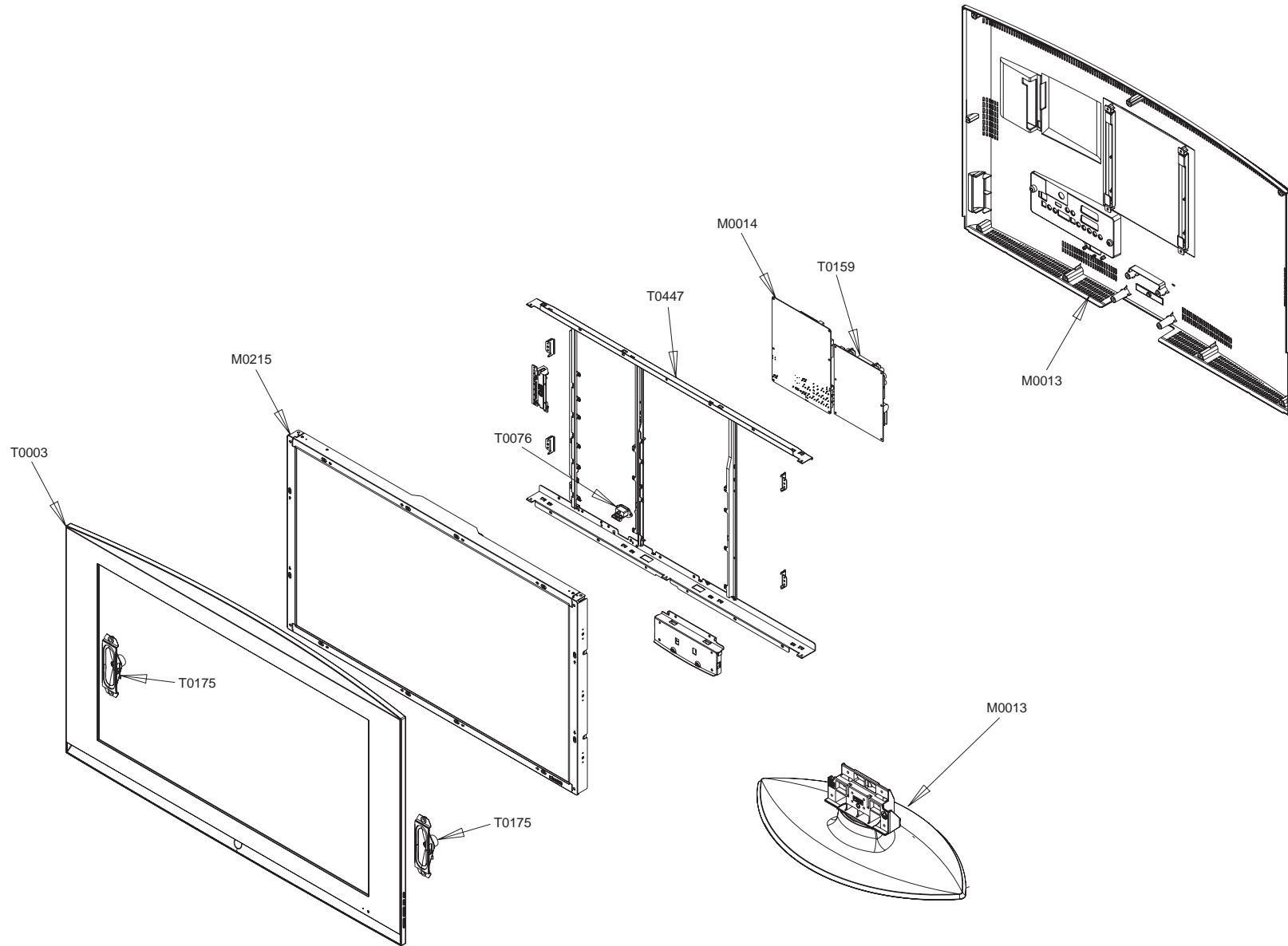


5 Exploded View & Parts List

5-2 LA27S71B Parts list

Location	Code.No	Item & Specification	Q'ty	SA/SNA	Remark
T0003	BN96-03836C	ASSY COVER P-FRONT;27T70,SO,ABS+PMMA,HB,	1	S.A	
T0175	BN96-03279A	ASSY SPEAKER P;16ohm,Sonoma 26,Left,5W,N	1	S.A	
T0175	BN96-03280A	ASSY SPEAKER P;16ohm,Sonoma 26,Right,5W,	1	S.A	
M0215	BN07-00136A	LCD-PANEL;V270B1-L01,Torino,8BIT,638.5*3	1	S.A	
T0447	BN96-03944A	ASSY BRACKET P-PANEL;SONOMA27, EO,READY,	1	S.N.A	
M0014	BN94-01046E	ASSY PCB MAIN;LA27S71BX/*	1	S.A	
T0159	BN96-03058A	ASSY PCB P-SMPS;Bordeaux 26 PFC,LE26R71B	1	S.A	
M0013	BN96-04031B	ASSY COVER P-REAR;27S71,SO,HIPS,HB,BK500	1	S.A	
M0013	BN96-03945B	ASSY STAND P-BASE;SONOMA,27,ABS+PMMA,HB,	1	S.A	

5-3 LA32S71B Exploded View

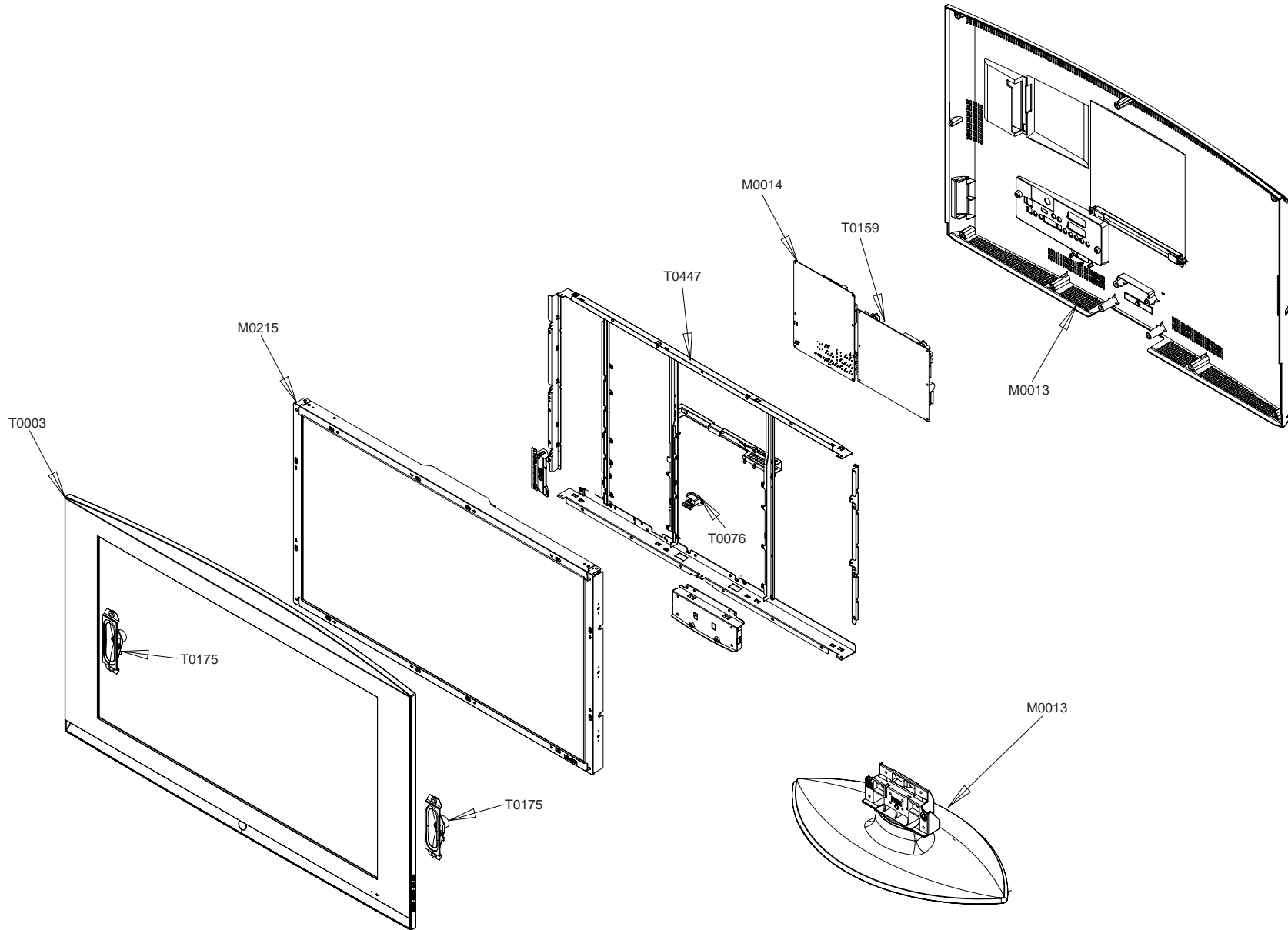


5 Exploded View & Parts List

5-4 LA32S71B Parts list

Location	Code.No	Item & Specification	Q'ty	SA/SNA	Remark
T0003	BN96-03628F	ASSY COVER P-FRONT;32T70,SO,ABS+PMMA,HB,	1	S.A	
T0175	BN96-03247B	ASSY SPEAKER P;8ohm, Yellow/Black,470mm,1	1	S.A	
T0175	BN96-03248B	ASSY SPEAKER P;8ohm,Red/Black,950mm,10W,	1	S.A	
M0215	BN07-00348A	LCD-PANEL;V315B1-L01,8bit,31.5inch,16.7M	1	S.A	
T0447	BN96-02999A	ASSY BRACKET P-PANEL;BORDEAUX,32,AMLCD,S	1	S.N.A	
T0076	BN39-00615D	CBF HARNESS;BORDEAUX,1617#22,3P,1P,RING,	1	S.A	
M0014	BN94-01046K	ASSY PCB MAIN;LA32S71BX*	1	S.A	
T0159	BN96-03775A	ASSY PCB P-SMPS;FreeVoltage SMPS,LA32R71	1	S.A	
M0013	BN96-03188E	ASSY COVER P-REAR;32T71,SO,HIPS,HB,BK500	1	S.A	
M0013	BN96-03698B	ASSY STAND P-BASE;SONOMA,32,ABS+PMMA,HB,	1	S.A	

5-5 LA37S71B Exploded View

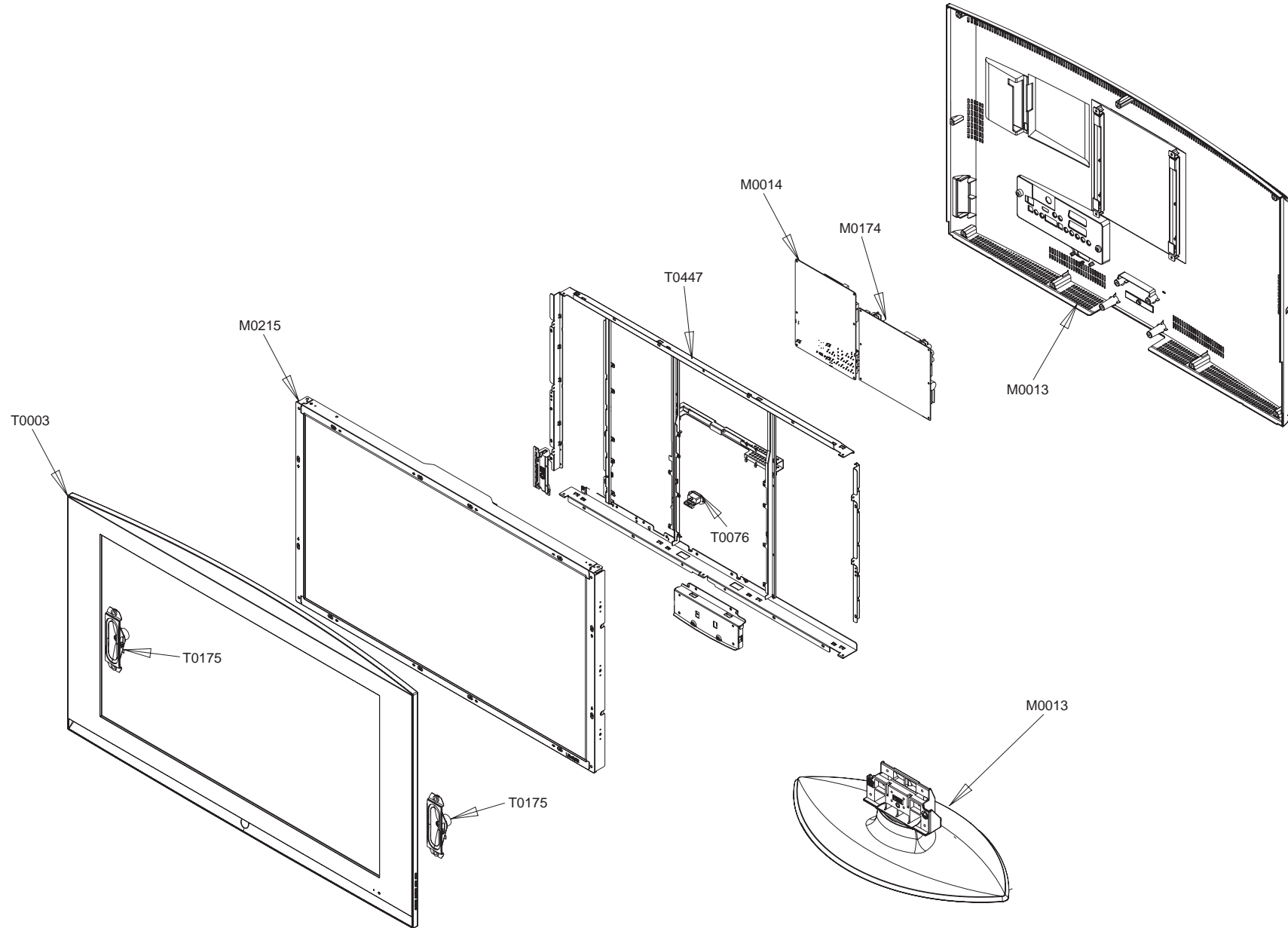


5 Exploded View & Parts List

5-6 LA37S71B Parts list

Location	Code.No	Item & Specification	Q'ty	SA/SNA	Remark
T0003	BN96-04044B	ASSY COVER P-FRONT;37S71,SO,ABS+PMMA,HB,	1	S.A	
T0175	BN96-03247A	ASSY SPEAKER P;8ohm,Sonoma 32,Left,10W,N	1	S.A	
T0175	BN96-03248A	ASSY SPEAKER P;8ohm,Sonoma 32,Right,10W,	1	S.A	
M0215	BN07-00255A	LCD-PANEL;T370XW01,8bit,877.0*514.6*54.7	1	S.A	
T0447	BN96-03253A	ASSY BRACKET P-PANEL;BORDEAUX-2,37,AUO,S	1	S.N.A	
T0076	BN39-00615D	CBF HARNESS;BORDEAUX,1617#22,3P,1P,RING,	1	S.A	
M0014	BN94-01046G	ASSY PCB MAIN;LA37S71BX/	1	S.A	
T0159	BN96-03050A	ASSY PCB P-SMPS;Bordeaux 37 PFC,LE37R71B	1	S.A	
M0013	BN96-04119A	ASSY COVER P-REAR;37S71,SO,HIPS,HB,BK500	1	S.A	
M0013	BN96-03697B	ASSY STAND P-BASE;SONOMA,40,ABS+PMMA,HB,	1	S.N.A	

5-7 LA40S71B Exploded View



5 Exploded View & Parts List

5-8 LA40S71B Parts list

Location	Code.No	Item & Specification	Q'ty	SA/SNA	Remark
T0003	BN96-03394G	ASSY COVER P-FRONT;40T70,SO,ABS+PMMA,HB,	1	S.A	
T0175	BN96-03247A	ASSY SPEAKER P;8ohm,Sonoma 32,Left,10W,N	1	S.A	
T0175	BN96-03248A	ASSY SPEAKER P;8ohm,Sonoma 32,Right,10W,	1	S.A	
M0215	BN07-00264A	LCD-PANEL;LTA400WT-L01,8bit,952*551*51.0	1	S.A	
T0447	BN96-03528B	ASSY BRACKET P-PANEL;SONOMA,40EO,READY,S	1	S.N.A	
T0076	BN39-00615D	CBF HARNESS;BORDEAUX,1617#22,3P,1P,RING,	1	S.A	
M0014	BN94-01046H	ASSY PCB MAIN;LA40S71BX/*	1	S.A	
M0174	BN44-00134C	IP BOARD;PSIV230601A,40*BORDEAUX,2.0-3.0	1	S.A	
M0013	BN96-03187E	ASSY COVER P-REAR;40S71,SO,-,HIPS,HB,BK5	1	S.A	
M0013	BN96-03697B	ASSY STAND P-BASE;SONOMA,40,ABS+PMMA,HB,	1	S.A	