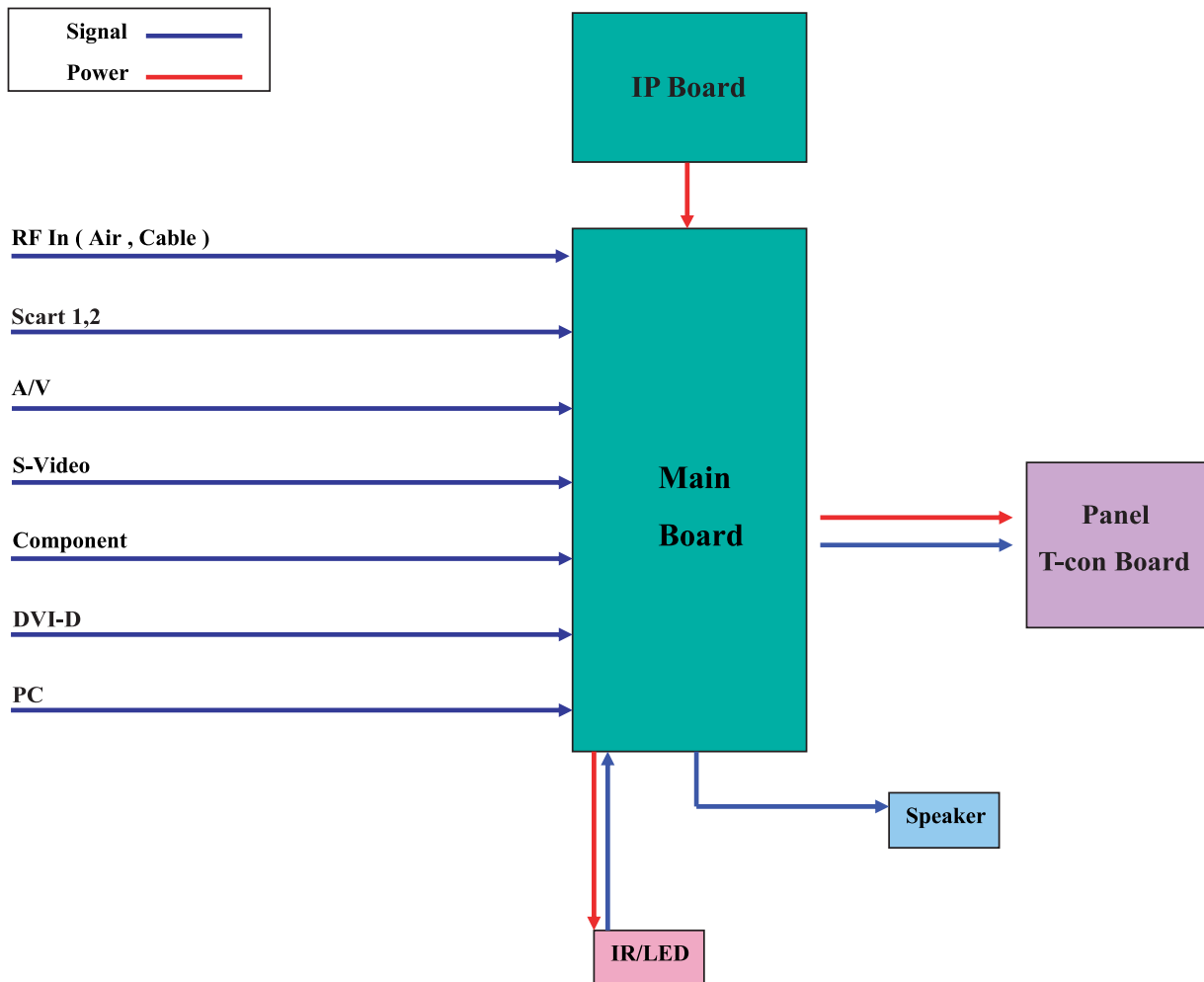


---

## 13 Circuit Descriptions

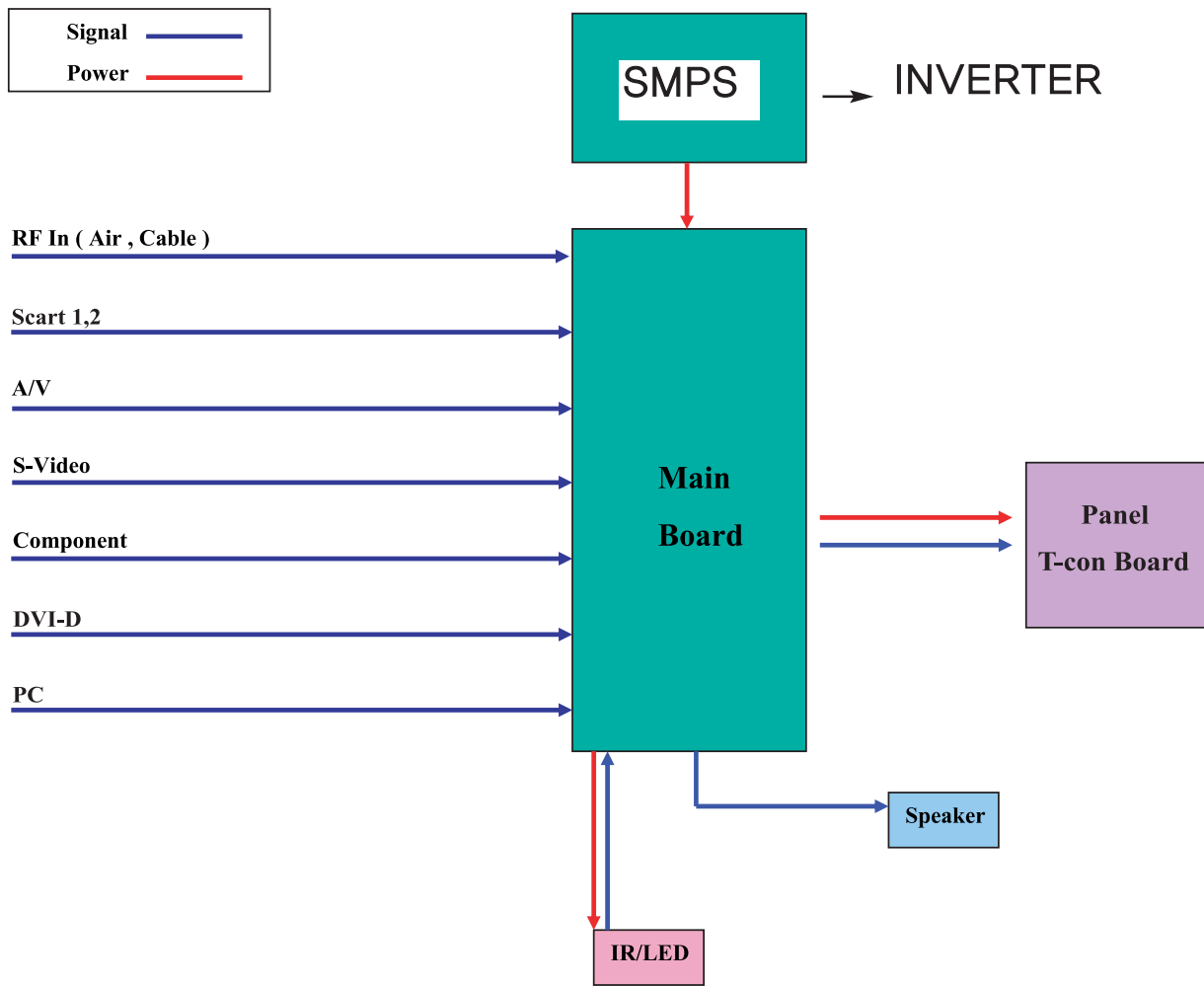
---

### 13-1 Block description



Bordeaux consists of three main blocks

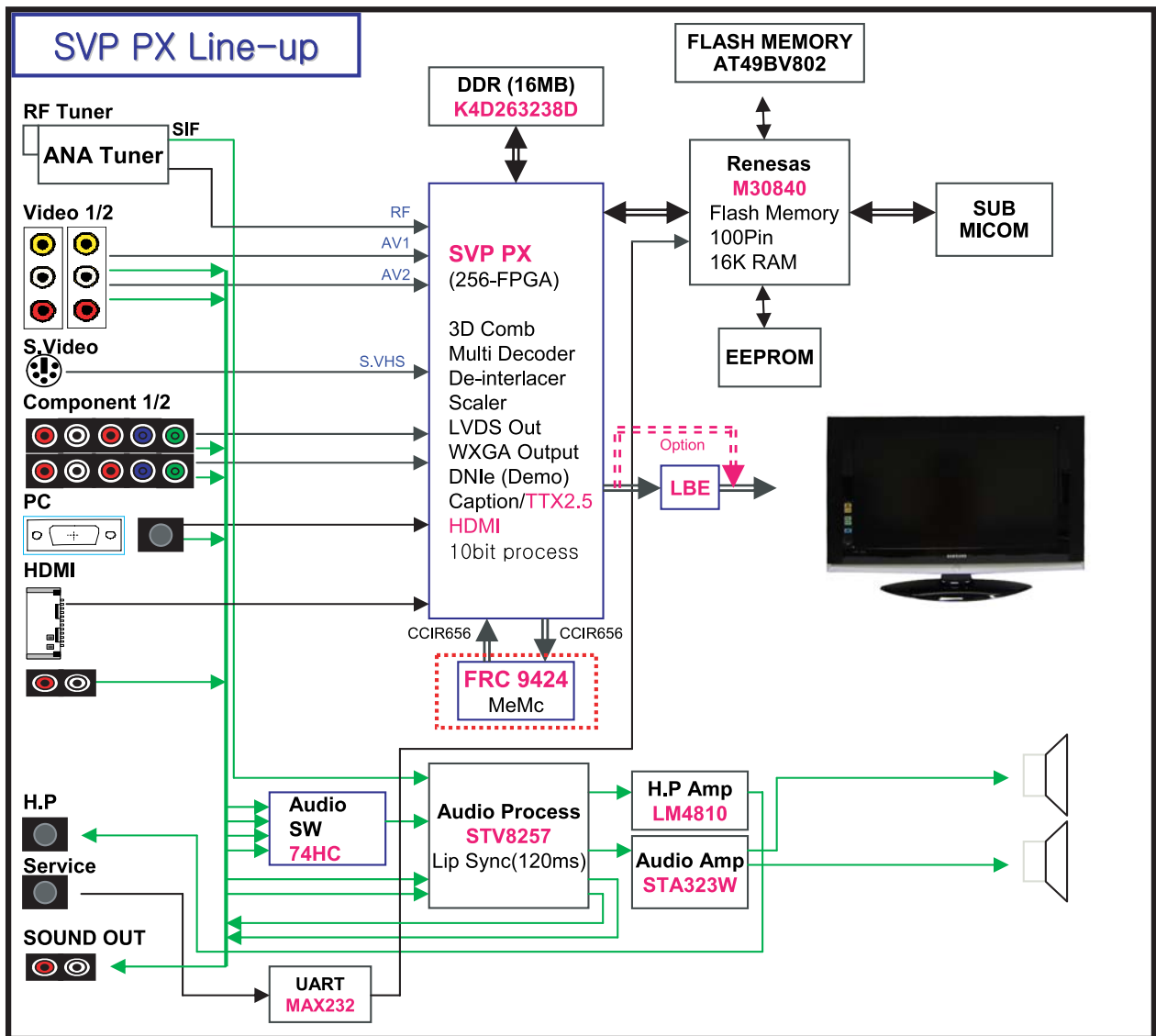
1. Main board : Video signal processing
2. IP board : Power supply & Inverter
3. T-con board : LCD Panel control



Bordeaux consists of three main blocks

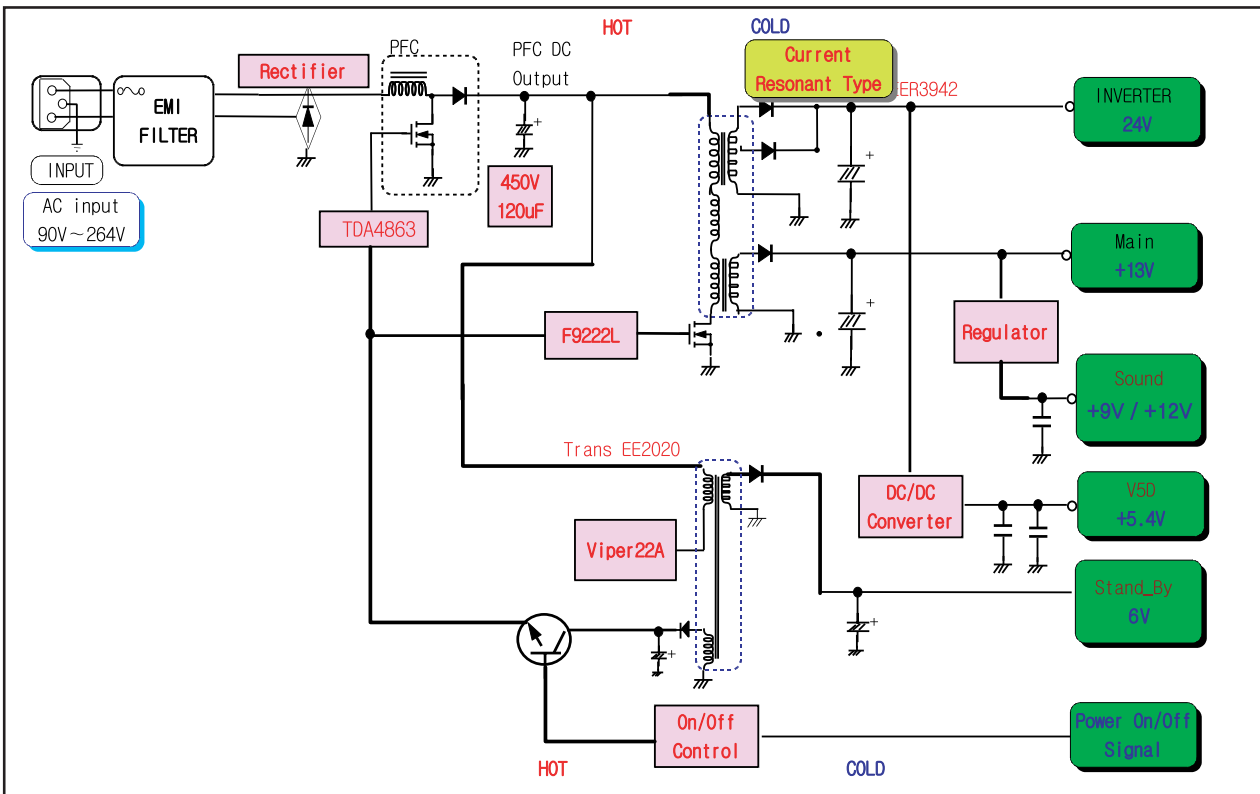
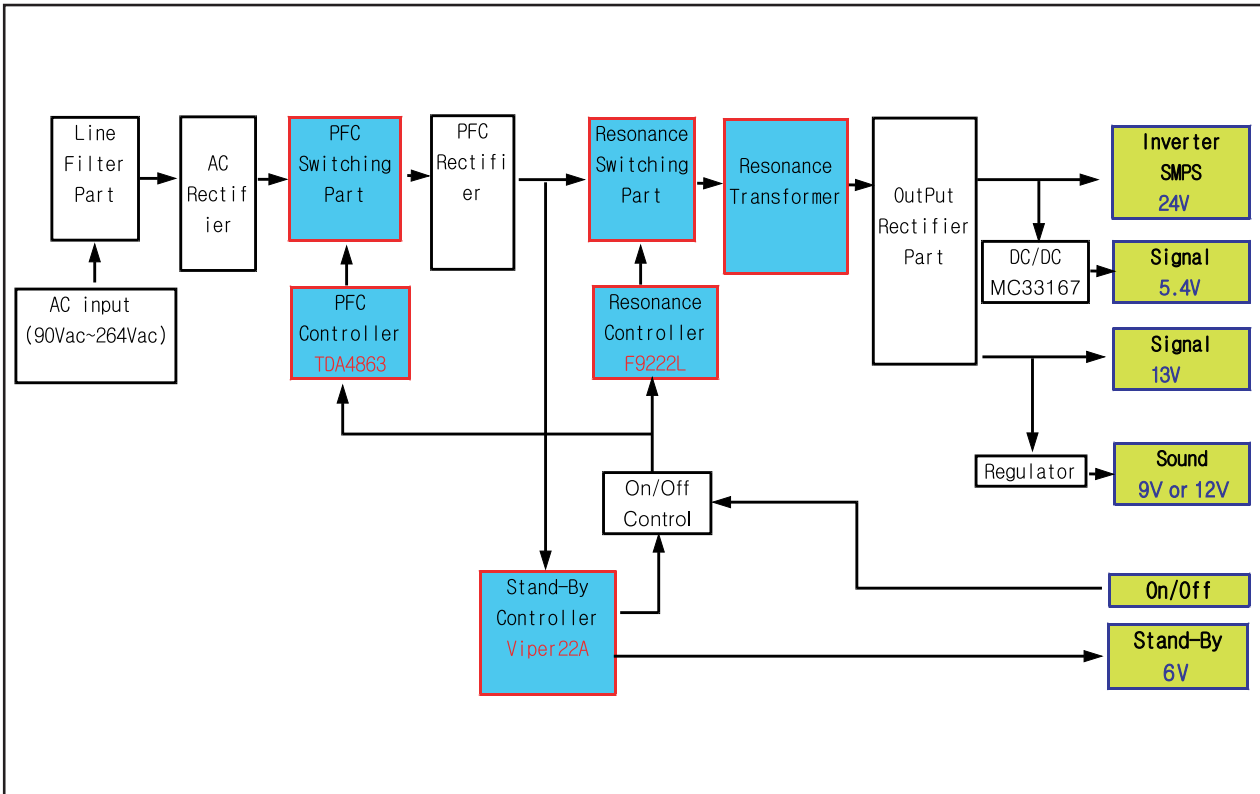
1. Main board : Video signal processing
2. SMPS : Power supply
3. T-con board : LCD Panel control

13-2 Main Block



13-3 SMPS Board

13-3-1 27", 32", 37" SMPS Block



Output Name	Output Voltage			Output Current			Load Characteristics	PCB Loc.	Usage	Remark
	Nominal	Regulation (%)	Variable Range	Min	Typical	Peak				
<b>24V</b>	24.5V	± 4	23.52V ~ 25.48V	0.1A	3.0A	4.0A	Pulsating	Main B'D	Drive	-
<b>5.4V</b>	5.4V	± 5	5.13V ~ 5.67V	0.1A	3.0A	5.0A	Constant	Main B'D	Drive, Logic, Buffer, Image Digital	-
<b>13V</b>	12.7V	± 7	11.9V ~13.7V	0.01A	0.3A	0.5A	Constant	Main B'D	Image Analog	-
<b>Vamp</b>	9.2V	± 4	8.83V ~ 9.57V	0.01A	0.3A	1.1A	Constant	Main B'D	Sound	-
<b>ST-BY</b>	8.0V		5.58V ~ 8.5V	0.1A	0.3A	0.6A	Constant	Main B'D	Stand-by	-

13-3-2 40" IP Board

