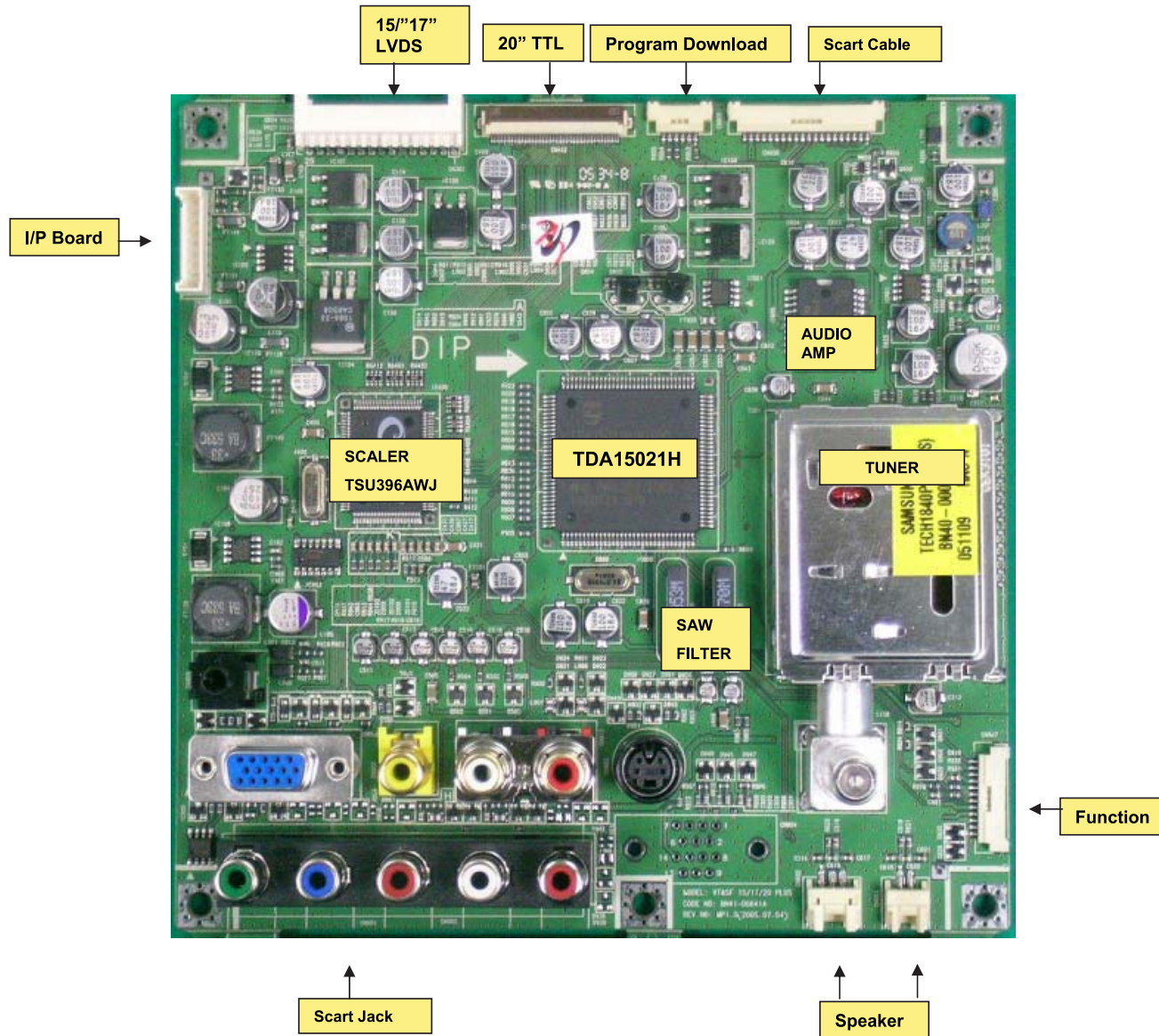


12 PCB Diagram

12-1 Main PCB Diagram



Memo