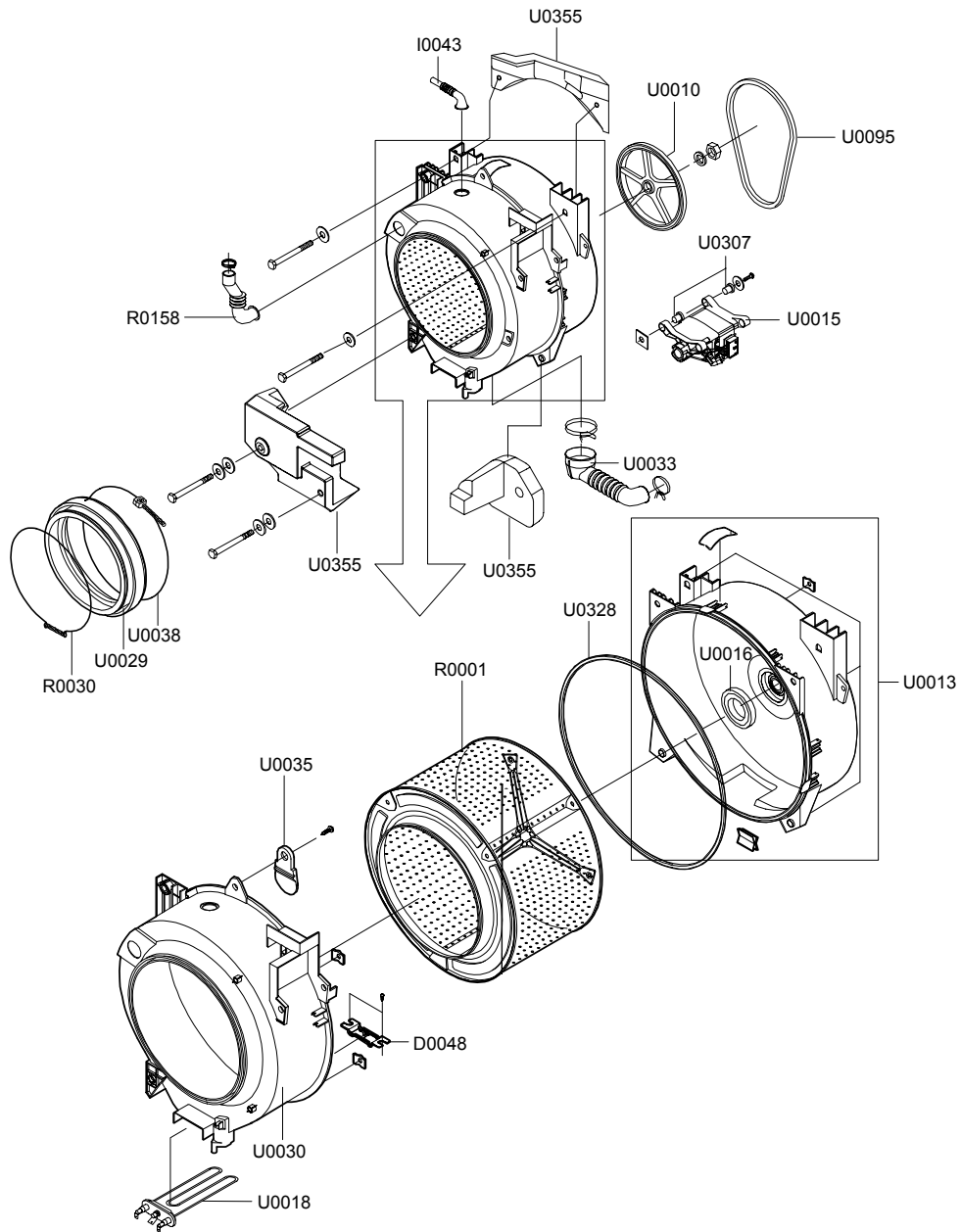
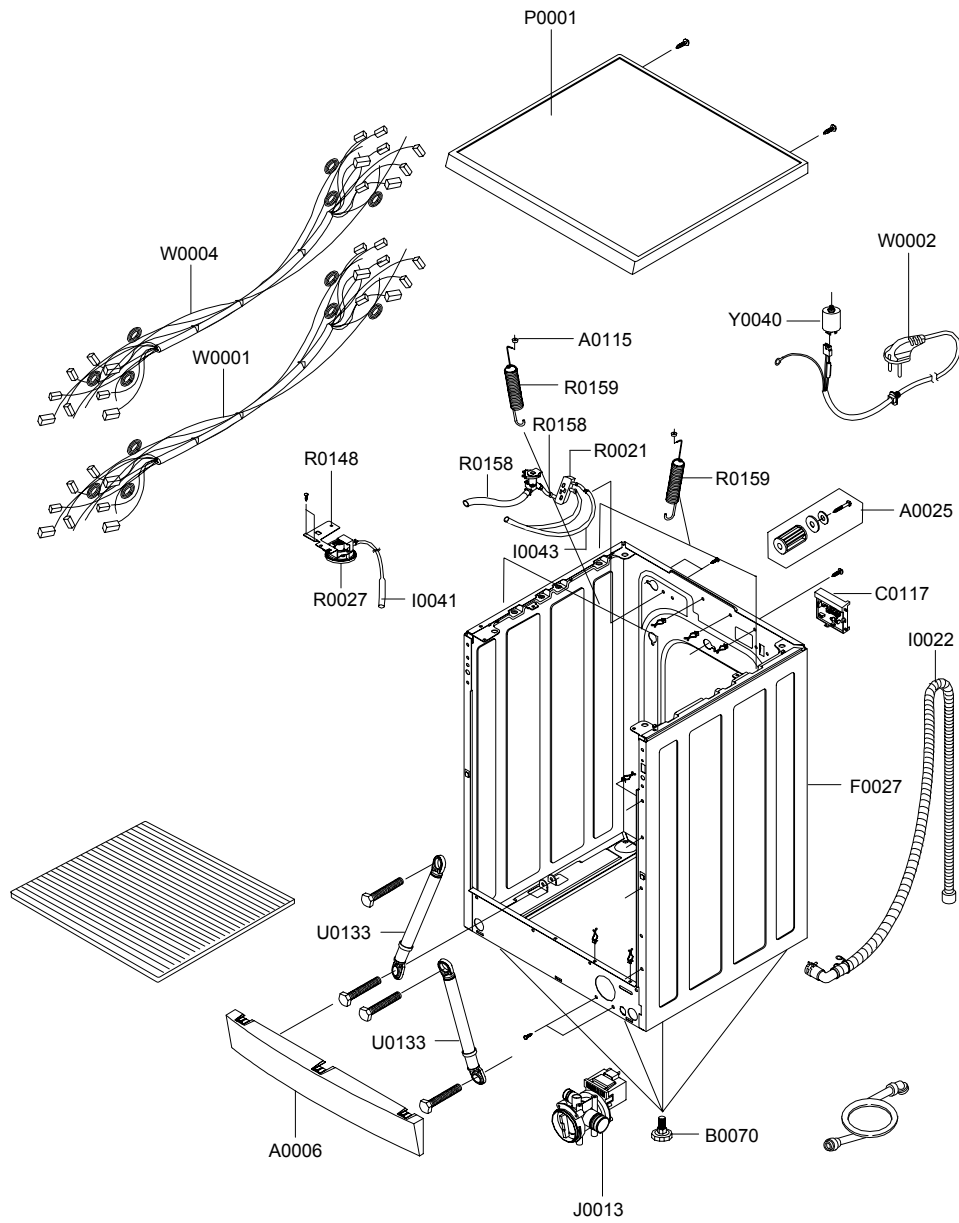


TOP(FRONT)



(TUB)



(CASE)

PART LIST

SVC LOC	CODE NO	DESCRIPTION	SPECIFICATIONQ	Q' TY	SA/SNA
A0004	DC63-00609A	COVER-FILTER	F125AV-B145AV, ABS, -, -, -, -	1	SA
A0006	DC63-00608A	COVER-FRONT (L)	F125AV-B145AV, ABS, -, -, -, -	1	SA
A0025	DC97-02106A	ASSY-FIXER TUB	S1005J, SLIM-PJT	5	SA
A0034	DC60-40146A	BOLT-SPANER	-, -, OD36, T2. 5, L52, FE, FZY, -, P	1	SA
A0043	DC61-10688A	CAP-FIXER	SWF-P12, PP (TB53), -, -, -, WHT, -,	5	SA
A0043	DC61-10688A	CAP-FIXER	SWF-P12, PP (TB53), -, -, -, WHT, -,	1	SA
A0114	DC64-00434A	SHUTTER	F1215J/F-PJT, PP, -, -, -, WHT, -	1	SA
A0115	DC61-60180A	SLEEVE-PLUG	NYLON#6, SEW-72ODR, -, -, NTR	4	SA
A0242	DC64-01022D	INLAY-PANEL	WF-R105AV/TROIKA/ENG, ACRYL, T	1	SA
A0362	DC61-40081A	HOLDER-WIRE	DAWH-2NC, NYLON66, -, -, -, NTR	6	SA
B0070	DC97-02079D	ASSY-LEG	SBP2, SD455, SD405, FLANG TYPE/25M	4	SA
C0002	DC97-10149L	ASSY-PANEL CONTROL	WF6450S6V/YLR (NEW-TRO	1	SA
C0043	DC64-00946A	BUTTON-PUSH (F)	TROIKA1-PJT, ABS (HG-0760),	5	SA
C0043	DC64-00952A	BUTTON-PUSH (F)	T-PJT, ABS, -, -, CR-COATING,	1	SA
C0044	DC64-00947A	BUTTON-PUSH (P)	TROIKA1-PJT, ABS (HG-0760),	1	SA
C0058	DC64-00652D	DOOR-LOCK S/W	MADY3, PA-GF, MADY3, H68. 9, W2	1	SA
C0115	MFS-T1F10AS-00	ASSY PCB PARTS (M)	MFS-T1F10AS-	1	SA
C0116	DC66-00333A	LEVER	Q1636GW/XEU, PE, -, -, -, -, TS-2 PJT	1	SA
C0117	MES-AG2MOD-S0	ASSY PCB PARTS (S)	MES-AG2MOD-S	1	SA
D0003	DC61-00932A	HINGE-DOOR	Q1636GW/XEU, ZNDC, -, -, -, -, TS	1	SA
D0046	DC97-05111A	ASSY-LEVER DOOR	Q1636GW/XEU, TS-2 PJT	1	SA
D0061	DC64-00920C	DOOR-GLASS	S, P, F MODEL (LOW), GLASS, T5. 0, H	1	SA
D0072	DC61-00891A	GUIDE-HINGE	HAUZEN (DOM), POM, -, -, -, WHT, HI	2	SA
D0076	DC64-00564A	HANDLE-PIN	Q1636GW/XEU, STS, -, -, -, -, TS-	2	SA
D0081	DC61-01144A	HOLDER-GLASS	SEW-3HR109BT, PP (TB53), -, -, -	1	SA
F0027	DC99-00620A	ASSY-PAINT FRAME	WF-F125AV, AG+/T1. 0/NEAT	1	SA
F0064	DC97-09198C	ASSY-FRAME FRONT	T-PJT, NEAT-WHT	1	SA
F0065	DC97-05134C	ASSY-FRAME PLATE (U)	WF-B125AV/YLP, T-PJT/	1	SA
I0003	DC62-10289C	HOSE-WATER (C)	RUSSIA, PVC+NYLON, ID10. 3, -,	1	SA
I0022	DC97-00139E	ASSY-HOSE DRAIN (O)	SB-PJT, PP/L1770/CHINA	1	SA
I0030	DC62-10278A	HOSE-HANGER	-, PP (JS20), -, -, -, NTR, -	1	SA
I0043	DC62-10303A	HOSE-AIR	-, EPDM, ID24, -, -, L130, BLK, SWF-P1	1	SA
I0047	DC61-01136A	CLIP-HOSE	F1235J, SK5, T1. 0, WHT, ID14. 8	6	SA
I0047	DC61-01136A	CLIP-HOSE	F1235J, SK5, T1. 0, WHT, ID14. 8	1	SA
J0013	DC96-01064A	ASSY-PUMP DRAIN	B1015JGW/YLW, 220~240V/50	1	SA
J0019	DC61-10652C	CASE-PUMP	PP (5113MF6), SWT50B1P, -, -, -, GRY	1	SA
J0020	DC63-00555A	COVER-PUMP	GW-PJT, ABS, -, -, -, -, NTR, -	1	SA
J0025	DC31-00056A	PUMP-DRAIN	-, 220~240V, 50Hz, -, 30W/3000RPM	1	SA
P0001	DC97-09278B	ASSY-COVER TOP	T1-PJT/WF-F125, WOOD/WHT	1	SA

PART LIST

SVC LOC	CODE NO	DESCRIPTION	SPECIFICATIONQ	Q' TY	SA/SNA
R0001	DC97-01463J	ASSY-DRUM	F-PJT/SD-PJT/LIFTER, STS430/FIX	1	SA
R0007	DC97-00124B	ASSY-FLANGE SHAFT	F1215J, F-PROJECT	1	SA
R0017	DC97-02051B	ASSY-DRUM LIFTER	SD405/455-PJT, LIFTER+FI	3	SA
R0019	DC97-09221D	ASSY-HOUSING DRAWER	WF-F125AC/YLP, AG+/2W	1	SA
R0019	DC97-02132F	ASSY-HOUSING DRAWER	WF-R125AC, TROIKA-PJT	1	SA
R0021	DC97-06842A	ASSY-GUIDE WATER	F1235SA, AG+ASSY	1	SA
R0025	DC97-09333A	ASSY-PANEL DRAWER	WF-F125AV~B85A/YLP, NEA	1	SA
R0027	DC97-00731A	ASSY-SENSOR PRESSURE	P1091, S-PRE+BRAKET+	1	SA
R0030	DC91-12078C	ASSY-WIRE DIAPHRAGM	TS-2, Q1636, FE, SW-C, Z	1	SA
R0036	DC61-01395A	BODY-DRAWER	WF-R125, PP, -, -, -, NTR, 5. 2KG	1	SA
R0106	DD60-50018A	NUT-FLANGE	-, M5XP0. 8, FZY, MSWR10, -	2	SA
R0147	6011-001421	BOLT-FLANGE	M7, L61 (29. 4), ZPC (YEL), SWRCH1	5	SA
R0158	DC67-00051D	HOSE-DRAWER	S1093~S6093, EPDM, -, -, -, BLK	0. 42	SA
R0158	DC67-00051G	HOSE-DRAWER	F1045A, EPDM, ID10, OD16, -, -, BL	1	SA
R0158	DC62-10305A	HOSE-DRAWER TUB	-, EPDM, ID35, -, -, L158, BLK	1	SA
R0159	DC61-01279A	SPRING-HANGER	5. 2KG (F631/F831), HSWR, CD2.	2	SA
R0159	DC61-01280A	SPRING-HANGER	5. 2KG (F631/F831), HSWR, CD2.	2	SA
U0003	DC60-60044B	WASHER-PLAIN	SBC, ID8. 4, OD30, T3, -, -, -	5	SA
U0003	DC60-60044A	WASHER-PLAIN	-, ID10. 5, OD30, T3, -, STS304	2	SA
U0005	DC60-60040A	WASHER-NYLON	-, ID10. 5, OD32, T2, -, PBSP-1/2	5	SA
U0010	DC66-10176B	PULLEY	ALDC, -, D297, P1291, ID12. 5	1	SA
U0012	DC61-01447A	BRACKET-HEATER	V7, STS430, T0. 6mm, W30mm, L1	1	SA
U0015	DC31-00002H	MOTOR-DRUM	HXGP2I, S803J, -, 50HZ, -, -, LOW-R	1	SA
U0016	DC62-00007A	SEAL-OIL	-, NBR (SD25), BLK, -, -, -, P6091/NBU	1	SA
U0018	DC47-00006M	HEATER	-, Triumph-PJT, -, 1900W, 8. 26A, 230V,	1	SA
U0023	DC61-00201A	BRACKET-NUT	SBHG-R, P1291, T3, -, -, -, NO-PAI	1	SA
U0023	DC61-00201A	BRACKET-NUT	SBHG-R, P1291, T3, -, -, -, NO-PAI	1	SA
U0023	DC61-40348B	BRACKET-NUT	SBHG-R, P1291, T3, -, -, -, NO-PAI	2	SA
U0023	DC61-40348B	BRACKET-NUT	SBHG-R, P1291, T3, -, -, -, NO-PAI	2	SA
U0029	DC61-20219E	DOOR-DIAPHRAGM	SEW-HW107, EPDM, -, -, -, GR	1	SA
U0030	DC61-00365E	TUB-FRONT	R1053, FRPP (GR15%) JINFA, -, -, -, S	1	SA
U0033	DC62-00121A	HOSE-FILTER TUB	S1005J, EPDM, ID65, -, -, -, -	1	SA
U0035	DC62-20311A	VANE-CHECK	SWF-P12, EPDM, -, -, BLK, -	1	SA
U0038	DC91-12077D	ASSY-CLAMP DIAPHRAGM	WF-B853/XSC, SWF-12/	1	SA
U0078	DC97-10977N	ASSY-SEMI TUB BACK	F843, FRPP (15%) /JINFA	1	SA
U0082	DC62-00116A	FILTER-NET	P1205J, EPDM+STS304, -, OD25, ID9	1	SA
U0095	6602-001072	BELT-TIMING GEAR	POLYURETHAN, L1270, J5, ME	1	SA
U0133	DC66-00334A	DAMPER-SHOCK	Q1636GW/XEU, -, -, -, L197. 5,	2	SA
U0307	DC61-00041A	CUSHION-MOTOR	SWF-6V, BUTYL, -, -, -, ID16/OD	1	SA

PART LIST

SVC LOC	CODE NO	DESCRIPTION	SPECIFICATIONQ	Q' TY	SA/SNA
U0320	DC60-40144A	BOLT-HEX	M10, L41, ZPC2 (YEL), SM10C/DAMPER	2	SA
U0320	6011-001447	BOLT-HEX	M8, L123 (25), ZPC (YEL), SWRCH18A, W	1	SA
U0320	6011-001448	BOLT-HEX	M8, L170 (25), ZPC (YEL), SWRCH18A, W	1	SA
U0320	DC60-40141A	BOLT-HEX	SM10C/DAMPER, HEX, M8, L66, -, ZPC2 (2	SA
U0320	6011-001452	BOLT-HEX	M10, L20, ZPC (YEL), SWCH10AK, ASSY (1	SA
U0328	DC62-40183A	PACKING-TUB	SWF-P12, EPDM, -, -, -, -, BLK, -	1	SA
U0353	DC61-00118A	CLAMPER HOSE	P1291, LYLON6/6, ID27, OD30, -	1	SA
U0353	DC61-60359E	CLAMPER HOSE	F1235AS/F1035AS, -, -, ID7. 8, Y	1	SA
U0353	DC61-60359G	CLAMPER HOSE	F1235AS/F1035AS, -, -, ID37. 2,	1	SA
U0353	DC61-60359E	CLAMPER HOSE	F1235AS/F1035AS, -, -, ID7. 8, Y	1	SA
U0353	DC61-60497A	CLAMPER HOSE	SWF-P12, HSWR, -, ID70/OD75. 8,	1	SA
U0353	DC61-00133A	CLAMPER HOSE	P1291, PP (BJ-730), ID24. 5, OD2	1	SA
U0355	DC67-00042C	WEIGHT-BALANCER	F, R MODEL ETC. , Concrete,	1	SA
U0355	DC67-00143A	WEIGHT-BALANCER	5. 2KG, CONCRETE, -, -, -, U	1	SA
U0359	DC62-00066A	FILTER-CASE	-, PP, -, -, -, BLK/SW90V2	1	SA
U0360	DC61-60499B	CLIP-TUB	HSWR, P1291, -, NO/PAINT,	6	SA
U0360	DC61-60520A	CLIP-TUB	SK5, SWF-P12, -, PLATE-TYPE,	2	SA
W0001	DC96-00990A	ASSY-WIRE HARNESS	TROIKA-PJT, SUB/WIRE (R	1	SA
W0002	DC96-00146A	ASSY POWER CORD	UCP2, -, 250V/16A, -, -, -, -	1	SA
W0004	DC96-00952A	ASSY-M. WIRE HARNESS	WF-F125AV, TROIKA-PJT	1	SA
W0010	DC63-00651A	COVER-HEATER	Q1657TGW/XEU, GI, TO. 4, -, -, -	1	SA
W0031	DC65-60118K	BAND-RING	HSWR, YEL, PI2. 0, OD22, ID18	1	SA
W0032	DC62-00024F	VALVE-WATER	B1215J, NYLON66/250TRMN, -, -, N	1	SA
Y0040	DC29-00006A	FILTER-EMI	DFC-2712R, P/PV/SLIM, 250V, 12A,	1	SA
Z0006	DC97-02412A	ASSY-BOLT	SWF-P12, MOTOR, M8*L62	1	SA
Z0006	DC97-02412H	ASSY-BOLT	Q1657, -	1	SA
Z0006	DC97-06159B	ASSY-BOLT	SCD-PJT	1	SA
	DC97-09760B	ASSY-HANDLE DOOR	WF-F105AV/YLP, SIL	1	SA