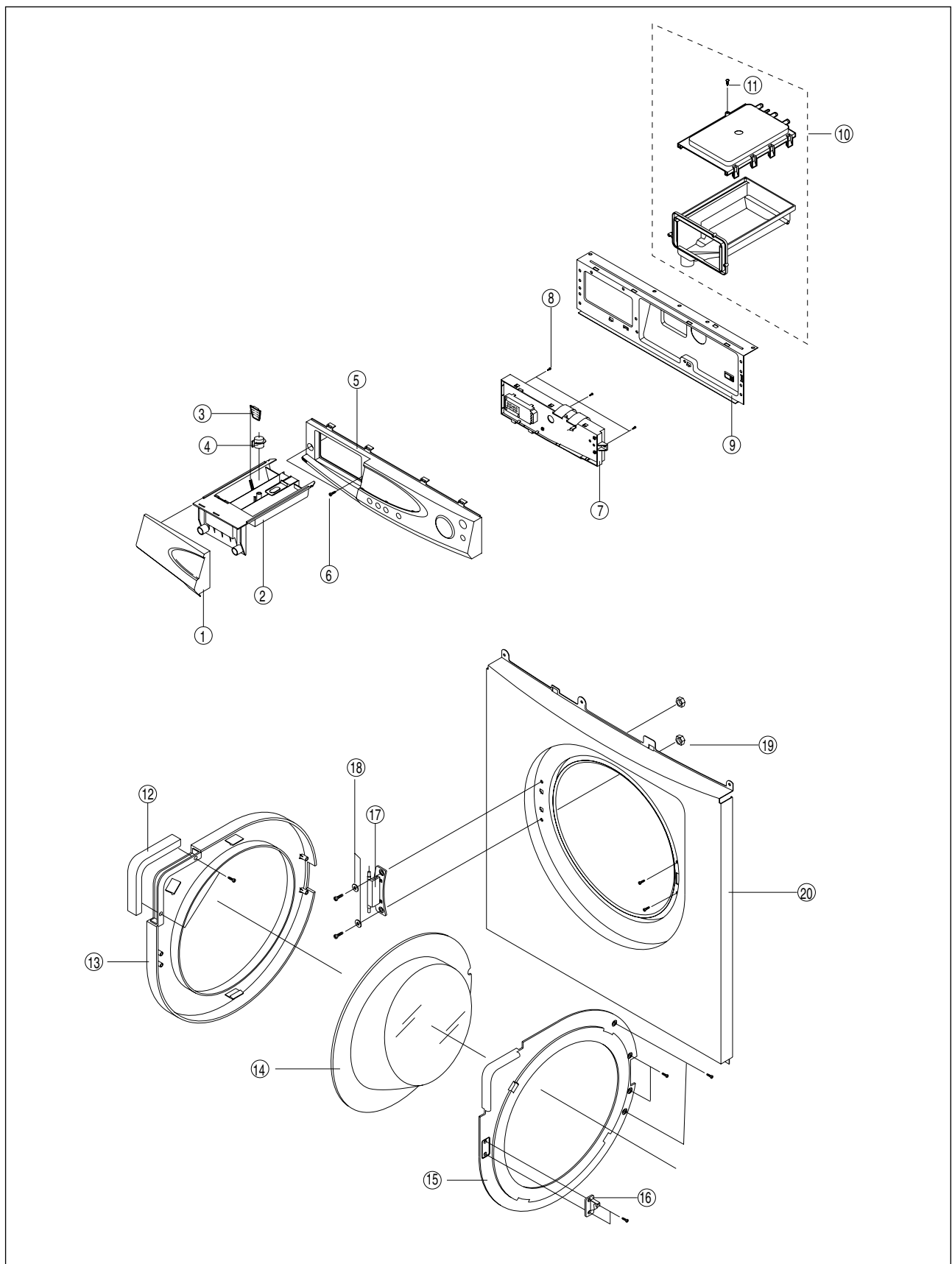


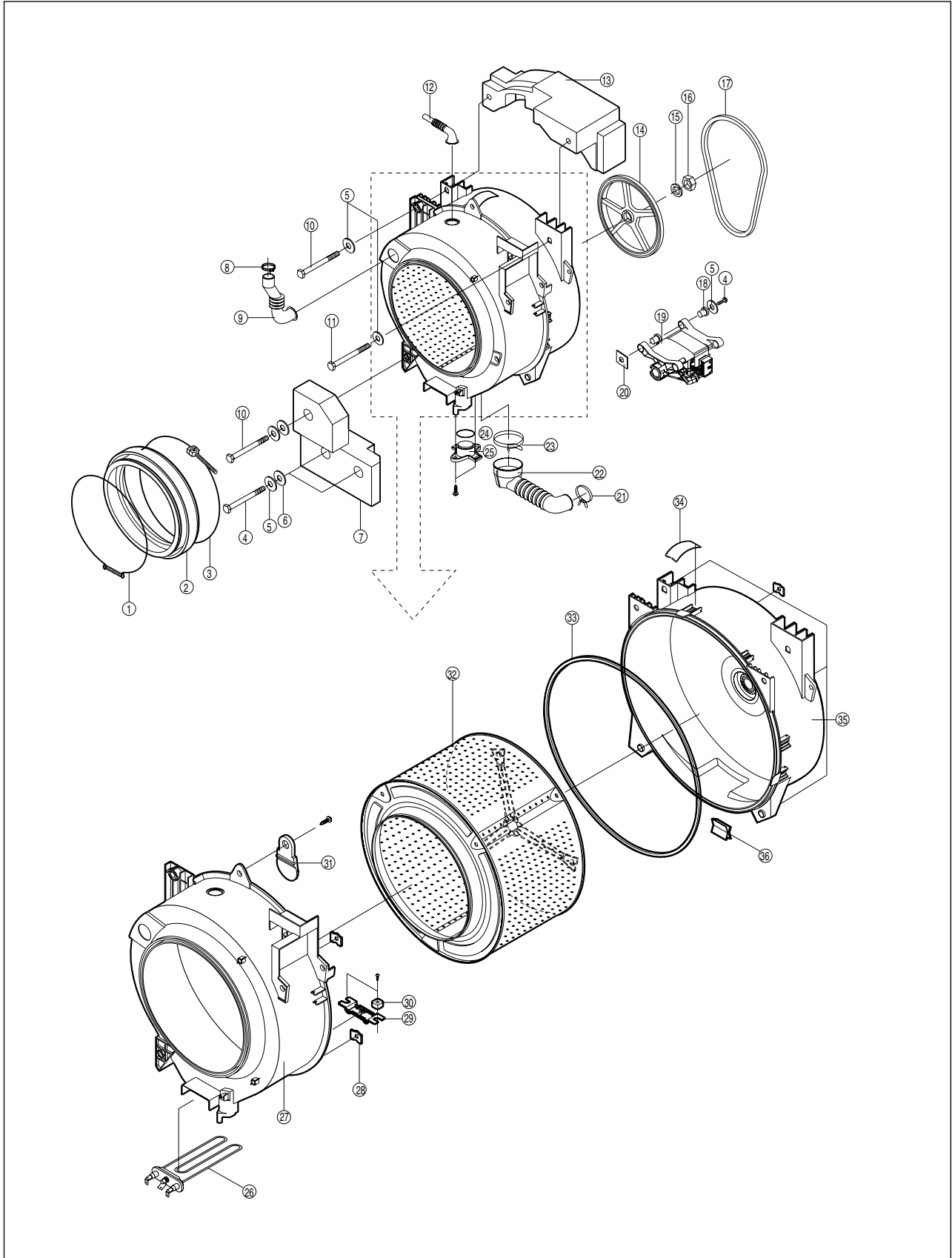
11. WC:TOP(FRONT) - Exploded View



11-1. WC:TOP(FRONT) Parts List

NO	Location No	Description	Code No	Q'ty	P8	P10	P12	P14	SVC Part
1	WCD01	ASSY-PANEL FRONT	DC97-00004S	1	●				○
			DC97-00004R	1		●			○
			DC97-00004Q	1			●		○
			DC97-00004W	1				●	○
2	WCD02	BODY-DRAWER	DC61-30348A	1	●	●	●	●	○
3	WCD03	GUIDE-LIQUID	DC61-60498A	1	●	●		●	○
4	WC005	CAP-RINSE	DC61-10687A	1	●	●	●	●	○
5	WC001	ASSY-PANEL CONTROL	DC97-01091E	1	●	●	●		○
			DC97-00703X	1				●	○
6	WZ001	SCREW TAPPING	6002-000445	2	●	●	●	●	
7	WB001	ASSY PCB PARTS	MF-P8C-00	1	●				○
			MF-P10C-00	1		●			○
			MF-P12C-00	1			●		○
			MF-P14C-00	1				●	○
8	WZ001	SCREW TAPPING	DC60-20049A	3	●	●	●	●	
9	WCD04	ASSY-FRAME PLATE(U)	DC97-00417A	1	●	●	●	●	○
10	WCD05	ASSY-HOUSING DRAWER	DC91-12085A	1	●	●	●	●	○
11	WZ001	SCREW TAPPING	DC60-20049A	1	●	●	●	●	
12	WCD06	DECORATION-LID	DC64-20013B	1	●	●			○
			DC64-20013A	1			●		○
			DC64-20013D	1				●	○
13	WCD07	COVER-DOOR	DC61-10682A	1	●	●	●	●	○
14	WCD08	DOOR-GLASS	DC61-00013A	1	●	●	●	●	○
15	WCD09	HOLDER-GLASS	DC61-40346A	1	●	●	●	●	○
16	WCD10	LEVER-DOOR	DC66-30161A	1	●	●	●	●	○
17	WCD11	ASSY-HINGE	DC97-00100A	1	●	●	●	●	○
18	WZ008	WASHER-PLAIN	DC60-60025C	2	●	●	●	●	
19	WZ016	NUT-FLANGE	DD60-50018A	2	●	●	●	●	
20	WCD12	ASSY-FRAME FRONT	DC97-00416A	1	●	●	●	●	○

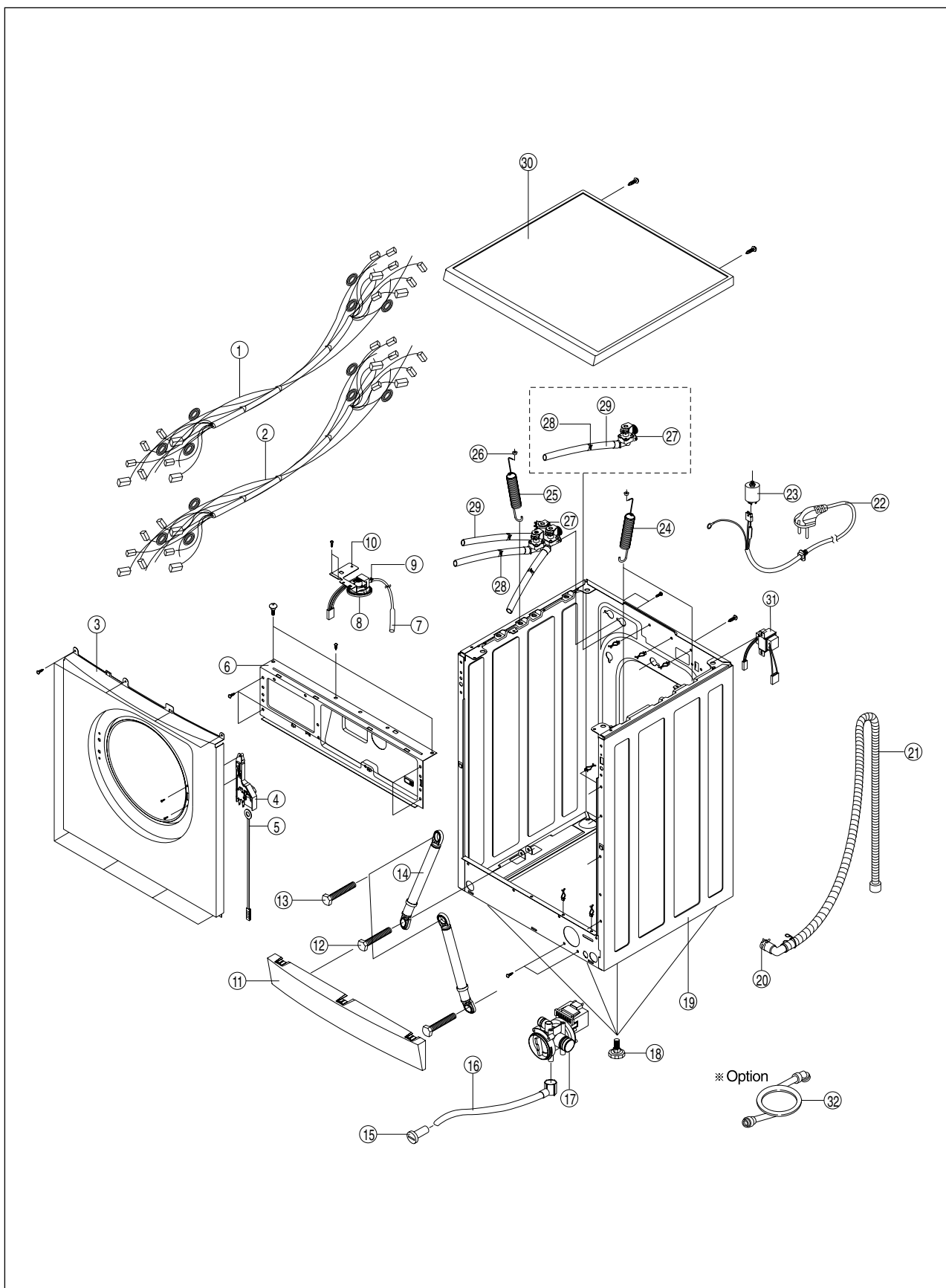
12. WD : TUB - Exploded View



12-1. WD : ASSY-TUB - Parts List

NO	Location No	Description	Code No	Q'ty	P8	P10	P12	P14	SVC Part
1	WDD01	ASSY-WIRE DIAPHRAGM	DC91-12078A	1	●	●	●	●	○
2	WDD02	DOOR-DIAPHRAGM	DC61-20219A	1	●	●	●	●	○
3	WDD03	ASSY-CLAMP DIAPHGRAM	DC97-00850A	1	●	●	●	●	○
4	WDD04	BOLT-W.MOTOR	DC60-40138A	3	●	●	●	●	○
5	WZ008	WASHER-PLAIN	DC60-60044B	6	●	●	●	●	
6	WZ009	WASHER-NYLON	DC60-60040A	3	●	●	●	●	
7	WDD05	WEIGHT-BALANCER(L)	DC66-60154A	1	●	●	●	●	○
8	WZ010	BAND RING	DC65-60125A	1	●	●	●	●	
9	WDD06	HOSE-DRAWER TUB	DC62-10305A	1	●	●	●	●	○
10	WZ011	BOLT-HEX	DC60-40140A	2	●	●	●	●	
11	WZ012	BOLT-FLANGE	DC60-40132B	1	●	●	●	●	
12	WD007	HOSE-AIR	DC62-10303A	1	●	●	●	●	
13	WDD07	WEIGHT-BALANCER(U)	DC66-60153A	1	●	●	●	●	○
14	WD006	PULLEY	DC66-10176B	1	●	●	●	●	○
15	WZ014	WASHER-SPRING	DC60-60049A	1	●	●	●	●	
16	WZ013	NUT-HEX	DC60-50148B	1	●	●	●	●	
17	WD008	BELT-TRANSMISSION	DC66-10139B	1	●	●	●	●	○
18	WDD08	CUSHION-MOTOR	DC61-00041A	1	●	●	●	●	
19	WDD09	MOTOR-DRUM	DC31-00002C	1	●	●	●	●	○
20	WZ013	NUT-HEX	DC60-50156A	1	●	●	●	●	
21	WZ010	BAND RING	DC65-60118F	1	●	●	●	●	
22	WDD10	HOSE-FILTER TUB	DC62-10304A	1	●	●	●	●	○
23	WZ015	CLAMP-HOSE	DC61-60497A	1	●	●	●	●	
24	WDD11	PACKING-TRAP	DC62-40184A	1	●	●	●	●	
25	WD009	CAP-TRAP	DC61-10676A	1	●	●	●	●	○
26	WDD12	HEATER	DC62-50123A	1	●	●	●		○
			DC47-00001A	1				●	○
27	WDD13	TUB-FRONT	DC61-30346A	1	●	●	●	●	○
28	WDD14	BRACKET-NUT	DC61-40348B	5	●	●	●	●	
29	WDD15	BRACKET-HEATER	DC61-40344A	1	●	●	●	●	
30	WDD16	SPACER-HEATER	DC61-60496A	2	●	●	●	●	
31	WDD17	VANE-CHECK	DC62-20311A	1	●	●	●	●	
32	WDD18	ASSY-DRUM	DC97-00785A	1	●				○
			DC91-12281A	1		●			○
			DC97-00785B	1			●	●	○
33	WDD19	PACKING-TUB	DC62-40183A	1	●	●	●	●	
34	WDD20	CLIP-TUB	DC61-60499B	8	●	●	●	●	
35	WDD21	ASSY-TUB BACK	DC97-00214C	1	●				○
			DC97-00214B	1		●	●		○
			DC97-00214A	1				●	○
36	WDD20	CLIP-TUB	DC61-60520A	1	●	●	●	●	

13. WE:CASE - Exploded View



13-1. WE:ASSY CASE OUTER - Parts List

NO	Location No	Description	Code No	Q'ty	P8	P10	P12	P14	SVC Part
1	WA006	ASSY-M.WIRE HARNESS	DC96-00070B	1	●	●	●	●	○
2	WA007	ASSY-WIRE HARNESS(SUB)	DC96-00053A	1		●	●		○
			DC96-00053B	1	●				○
3	WCD12	ASSY-FRAME FRONT	DC97-00416A	1	●	●	●	●	○
4	WAD01	DOOR-LOCK S/W	DC61-00115A	1	●	●	●	●	○
5	WED02	LEVER	DC66-30160A	1	●	●	●	●	○
6	WCD04	ASSY-FRAME PLATE(U)	DC97-00417A	1	●	●	●	●	○
7	WED04	HOSE-PRESSURE	DC62-10311A	1	●	●	●	●	
8	WA002	SENSOR PRESSURE	DC32-30006P	1	●	●	●	●	○
9	WZ015	CLAMP-HOSE	DC61-60359D	1	●	●	●	●	
10	WED05	BRACKET-PRESSURE	DC61-40345A	1	●	●	●	●	
11	WED06	COVER-FRONT(L)	DC61-10672A	1	●	●	●	●	○
12	WZ011	BOLT-HEX	DC60-40144A	2	●	●	●	●	
13	WZ011	BOLT-HEX	DC60-40141A	2	●	●	●	●	
14	WED07	DAMPER-SHOCK	DC66-60149A	2	●	●	●	●	○
15	WED08	CAP-DRAIN	DC61-10673A	1	●	●	●	●	○
16	WD108	HOSE-DRAIN	DC62-10302A	1	●	●	●	●	○
17	WA003	ASSY-PUMP DRAIN	DC96-00115A	1	●	●	●	●	○
18	WE005	ASSY-LEG	DC91-12292A	4	●	●	●	●	○
19	WED09	ASSY-PAINT FRAME	DC99-00060A	1	●	●	●	●	○
20	WZ010	BAND RING	DC65-60125B	1	●	●	●	●	
21	WZ005	ASSY-HOSE DRAIN(O)	DC97-00139B	1	●	●	●	●	
22	WA001	ASSY-POWER CORD	DC96-00146A	1	●	●	●	●	○
23	WAD02	FILTER-EMI	DC29-00003A	1	●	●	●		○
			DC29-90001A	1				●	○
24	WED10	SPRING-HANGER	DC61-70217C	2	●	●	●	●	○
25	WED10	SPRING-HANGER	DC61-70216C	1	●	●	●	●	○
26	WED11	SLEEVE-PLUG	DC61-60180A	3	●	●	●	●	○
27	WA009	VALVE-WATER(3-WAY)	DC62-30309D	1	●	●	●	●	○
28	WZ015	CLAMP-HOSE	DC61-60063B	6	●	●	●	●	
29	WED12	HOSE-DRAWER	DC62-10068A	3	●	●	●	●	
30	WCD13	ASSY-COVER TOP	DC97-00851A	1	●	●	●	●	○
31	WA010	TRANS-FORMER	DC26-00005B	1	●	●	●		○
32	WZ007	ASSY-HOSE WATER(C)	DC62-10289B	1	●	●	●	●	○