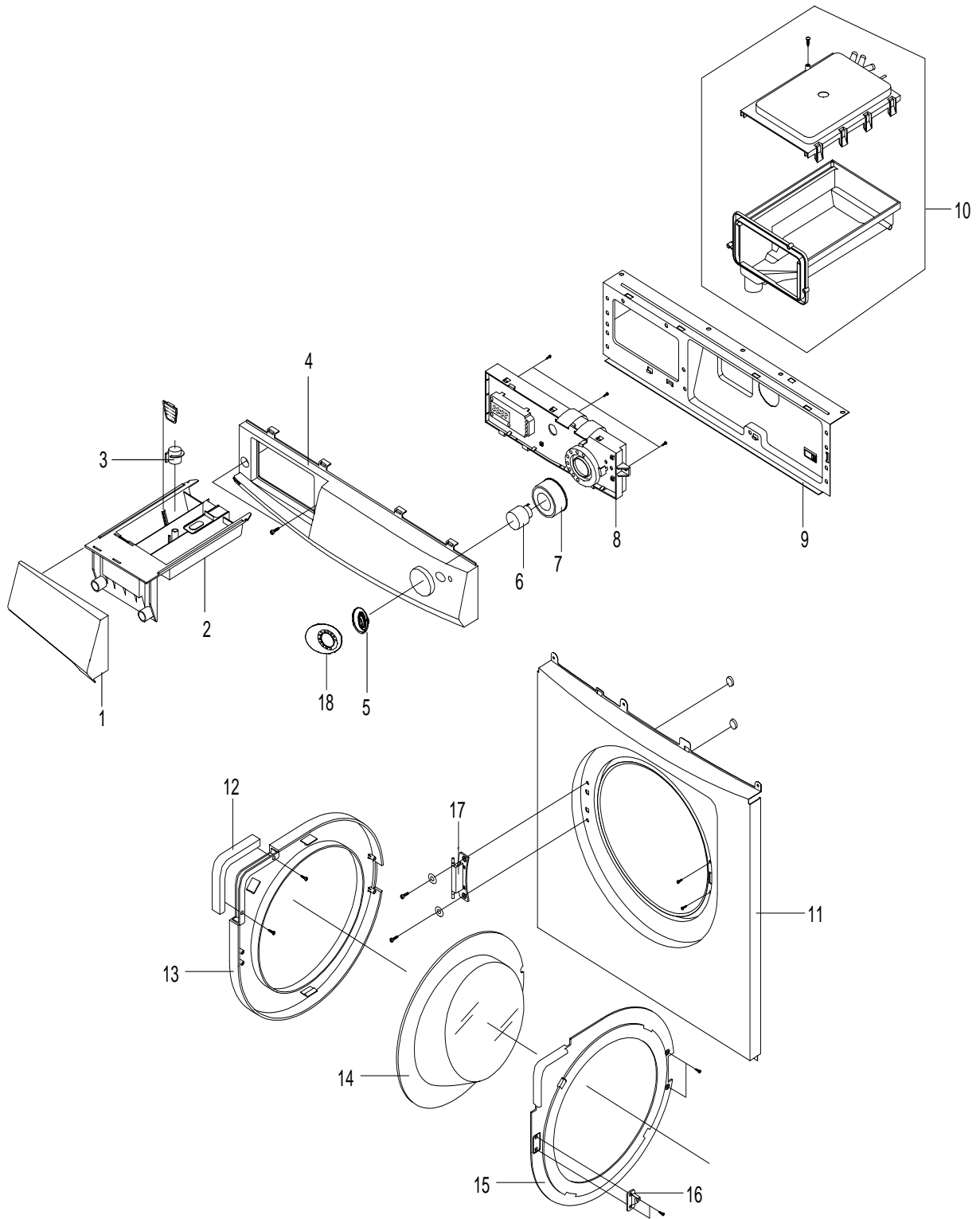
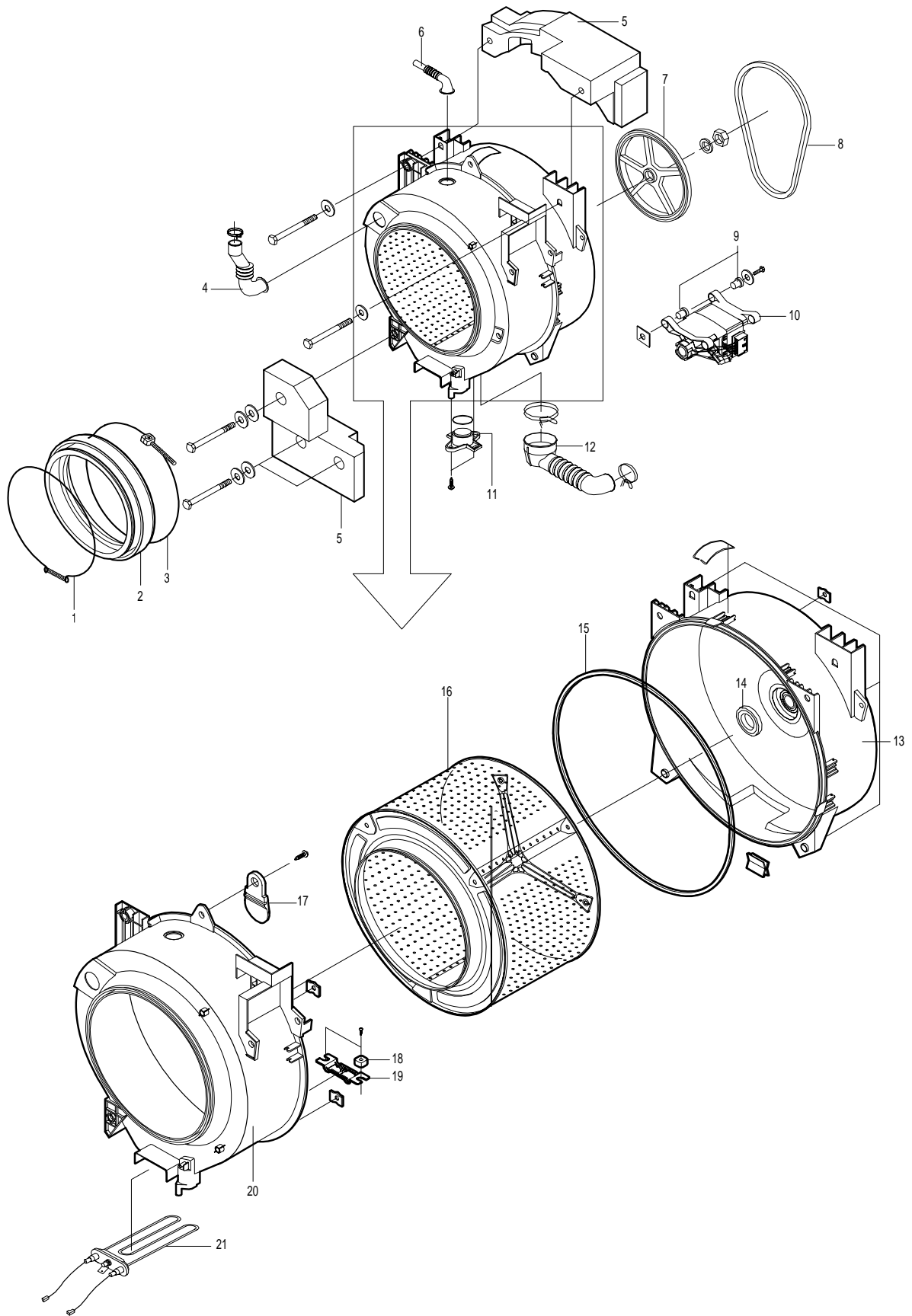


ASSY FRONT



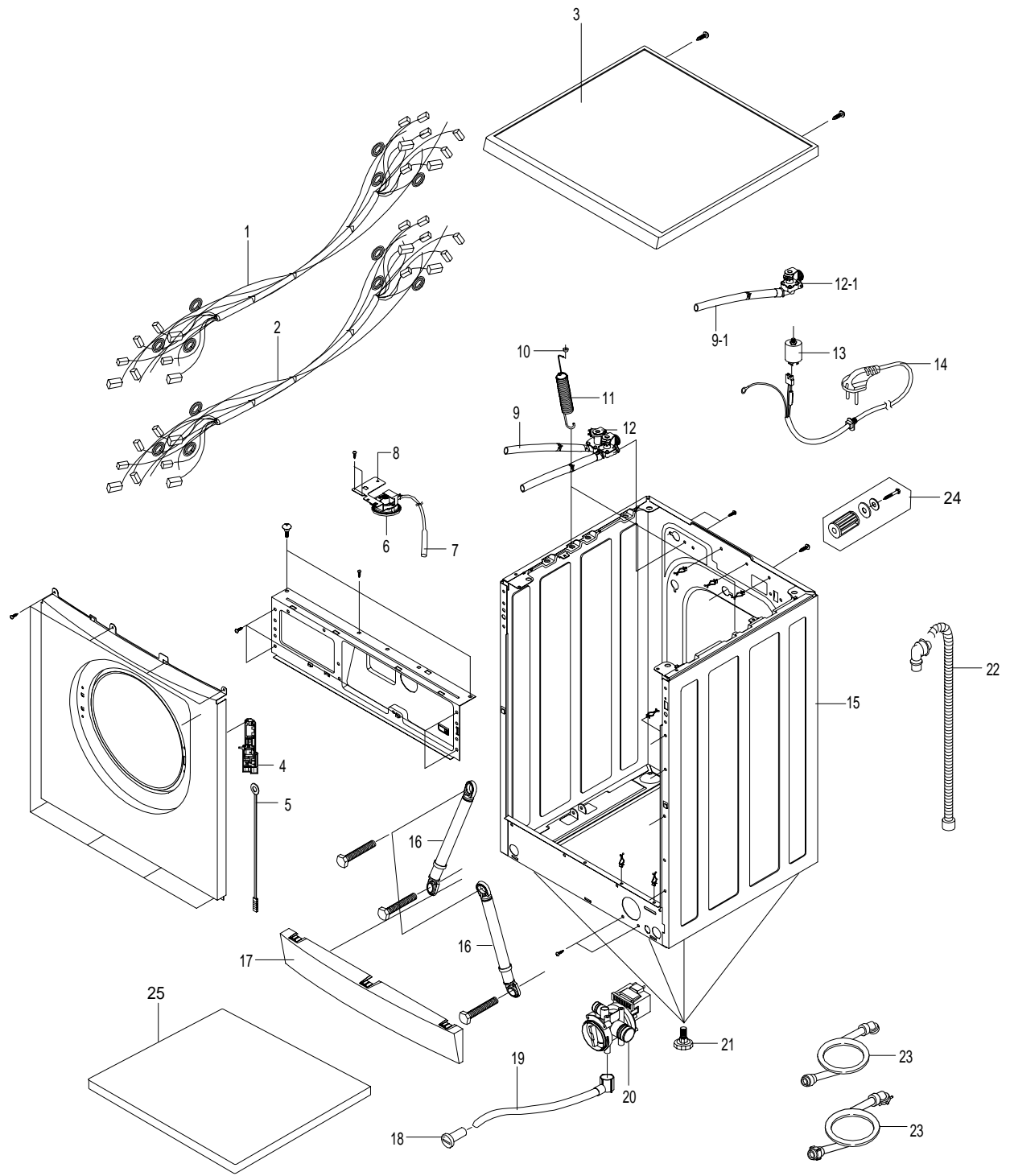
NO.	PART-NUMBER	품명	SPEC	수량	REMARK
1	DC64-00248C	PANEL-DRAWER	SEW-810DRB,ABS(HG-0760),-, -	1	
2	DC61-30348A	BODY-DRAWER	-,PP,-,-,-,-,-,-	1	
3	DC61-10687A	CAP-RINSE	SWF-P12,PP,-,-,-,WHT,-,	1	
4	DC64-00247C	PANEL-CONTROL	SEW-810DRB,ABS(HG-0760),-, -	1	
5	DC64-00084R	INLAY-ENCODER	SEW-DR605,PC(T=0.5),-, -,OD	1	
6	DC64-00250A	BUTTON-ENCODER	-,B1215J,BLUE,-,-,-,	1	
7	DC64-00262A	KNOB-ENCODER	B1215J,ABS(HG-0760),-, -, -	1	
8	ME-DR605M-00	ASSY PCB PARTS	SEW-DR605	1	
9	DC97-00417A	ASSY-FRAME PLATE(U)	SWF-P12,FRAME-PLATE(1	
10	DC97-03244B	ASSY-HOUSING DRAWER	SEW-DR605,FOR/2WAY-V	1	
11	DC97-00416A	ASSY-FRAME FRONT	SWF-P12,FRAME-FRONT	1	
12	DC64-20013D	DECORATION-LID	SEW-660DW,ABS,-,-,-,-,CR_	1	
13	DC61-10682A	COVER-DOOR	-,ABS,-,-,-,-,WHT,SWF-P12	1	
14	DC61-00013A	DOOR-GLASS	GLASS,NTR,SWF-P12	1	
15	DC61-40346D	HOLDER-GLASS	DR605,FRPP,-,-,-,WHT,-	1	
16	DC66-00096A	LEVER-DOOR	ZnDC,-,W20,L40,-,-,-,P1405J,-	1	
17	DC97-00100C	ASSY-HINGE	S1005J,OPEN ANGLE 180DEG	1	
18	DC64-00263B	WINDOW-ENCODER	SEW-DR605,PC,-,-,-,-,CAT-	1	DR605
18	DC64-00263J	WINDOW-ENCODER	SEW-DR605WE,PC,-,-,-,-,TRP,ENG/WASH	1	DR605WE

ASSY TUB



NO.	PART-NUMBER	품명	SPEC	수량	REMARK
1	DC91-12078A	ASSY-WIRE DIAPHRAGM	SWF-P12,FRAME-FRONT	1	
2	DC64-00243A	DOOR-DIAPHRAGM	SEW-860DR,EPDM,-,GRY,-,-,	1	
3	DC91-12077A	ASSY-CLAMP DIAPHGRAM;S	WF-P12,TUB	1	
4	DC62-00143A	HOSE-DRAWER TUB	SWF-P12,EPDM,ID29,OD34,-	1	
5	DC66-60154A	WEIGHT-BALANCER	SWF-P12,CONCRETE,LOWER,	1	
5	DC67-00008A	WEIGHT-BALANCER	-,FE,-,-,-,-,UPPER/11KG	1	
6	DC62-10303A	HOSE-AIR	-,EPDM,ID24,-,-,L130,BLK,SWF-P1	1	
7	DC66-10176B	PULLEY	ALDC,-,D297,P1291,ID12.5	1	
8	6602-001072	BELT-TIMING GEAR	POLYURETHAN,L1270,J5,ME	1	
9	DC61-00041A	CUSHION-MOTOR	SWF-6V,BUTYL,-,-,-,ID16/OD	1	
10	DC31-00002C	MOTOR-DRUM	MCC 45/64 148/SEC1,220~240V,5	1	
11	DC61-10676A	CAP-TRAP	SWF-P12,PP(TB53),-,-,-,-,	1	
12	DC62-10304A	HOSE-FILTER TUB	-,EPDM,ID65,-,-,L151,BLK EA	1	
13	DC97-00214P	ASSY-TUB BACK	SEW-810DR,WASH&DRY(COMBI)	1	
14	DC62-00008A	SEAL-OIL	-,NBR(SD35),BLK,-,-,-,NBU(PI15)	1	
15	DC62-40183A	PACKING-TUB		1	
16	DC97-01463A	ASSY-DRUM	SWE-1400,NEW DRUM/LIFTER TYPE	1	
18	DC61-60496A	SPACER-HEATER	SWF-P12,PBT,-,-,-,-,-,-	2	
19	DC61-00508A	BRACKET-HEATER	SEW-810DR,STS,T1,W10,-,-,	1	
20	DC61-30346D	TUB-FRONT	SEW-810DR,FRPP(FRPP15%)SAMBACK	1	
21	DC47-00006C	HEATER	KAWAI,COMBI-MODEL,SUS316L,-,-,230	1	

ASSY CASE



NO.	PART-NUMBER	품명	SPEC	수량	REMARK
1	DC96-00428A	ASSY-M. WIRE HARNESS	SEW-810DR(MAIN),COM	1	
3	DC97-00851F	ASSY-COVER TOP	P-PJT/MDF,WOOD/WHT	1	
4	DC64-00120E	DOOR-LOCK S/W	760DR,NYLON,-,WHT,-,-,VDE/	1	
5	DC66-30160A	LEVER	PE,L335,SWF-P12(ORG)	1	
6	DC97-03716A	ASSY-SENSOR PRESSURE	SEW-DR605,S-PRE+BRA	1	
7	DC62-10311B	HOSE-PRESSURE	SEW-810DR,EPDM,13.5,17.5,-	1	
9	DC62-10068A	HOSE-DRAWER	SEW-8092M,SOFT-PVC,ID10,-,-, M	0.23	
9-1	DC62-10287A	SPRING-PLATE	PV2-PJT,STS430(SPRING-STEEL	0.26	
10	DC61-60180A	SLEEVE-PLUG	NYLON#6,SEW-720DR,-,-,NTR	2	
12	DC62-00142A	VALVE-WATER	SEW-810DR,-,10L/10L/0.3L,220	1	
12-1	DC62-30310N	VALVE-WATER	SQ1291,PP,-,-,-,220V/50Hz)25	1	
13	DC29-00005B	FILTER-EMI	FA-2151T-2,1.2MM NUT,250V,15A	1	
14	DC96-00001H	ASSY-POWER CORD	SEW-810DR,CP2 ,2.0MM	1	
15	DC99-00265A	ASSY-PAINT FRAME	SEW-DR605,WHT/H+C/WASH+	1	
16	DC66-60149A	DAMPER-SHOCK	SWF-P12,-,-,80N,	2	
17	DC61-10672A	COVER-FRONT(L)	SWF-P12,PP(BJ-730),-,-,-,	1	
18	DC61-10673A	CAP-DRAIN	SWF-P12,PP(TB53),-,-,-,WHT,-,	1	
19	DC62-10302A	HOSE-DRAIN	SWF-P12,EPDM,ID5.5,-,-,L220,B	1	
20	DC96-00035R	ASSY-PUMP DRAIN	COMBI-MODEL,SP-C27SWF6AT	1	
21	DC91-12292A	ASSY-LEG	SWF-P12,-	4	
22	DC91-10352B	ASSY-HOSE DRAIN(O)	SW-D60,L1500	1	
23	DC91-12214A	ASSY-HOSE WATER	SEW-X10,NEW-TYPE/BLUE/L1	1	
23	DC91-12214B	ASSY-HOSE WATER	SEW-X10,NEW-TYPE/PINK/L1	1	
24	DC91-12102A	ASSY-FIXER TUB	SWF-P12,-	5	
25	DC61-20235A	SHUTTER	DANPLA,PP(BB110),WHT,	1	

BOLT/SCREW LIST

PART-NUMBER	품명	SPEC	수량	조립위치
DC60-40132B	BOLT-FLANGE	M8,L210,ZPC2(YEL),SS41C	1	WEIGHT/U
DC60-40005A	BOLT-HEX	M4,L60,ZPC2(YEL),SS41C,-,-,-	1	
DC60-40142A	BOLT-HEX	SM10C/FIXER,HEX,M7,L88.4,-,ZPC2(YEL),,-	1	
DC60-40140A	BOLT-HEX	WEIGHT-UL/SM10C,HEX,M8,L147,-,ZPC2(YEL),,-	1	WEIGHT/L
DC60-40140A	BOLT-HEX	WEIGHT-UL/SM10C,HEX,M8,L147,-,ZPC2(YEL),,-	1	WEIGHT/U
DC60-40141A	BOLT-HEX	SM10C/DAMPER,HEX,M8,L66,-,ZPC2(YEL),,-	2	DAMPER+TUB
DC60-40144A	BOLT-HEX	M10,L41,ZPC2(YEL),SM10C/DAMPER	2	DAMPER+FRAME
DC60-40133A	BOLT-PULSATOR	M8,L25,-,STS 304	3	
DC60-40146A	BOLT-SPANER	-,-,OD36,T2.5,L52,FE,FZY,-,P12	1	ACCESSORY
DC60-40138A	BOLT-W.MOTOR	SM10C,HEX,M8,L62,-,ZPC2(YEL),,-	1	MOTOR
DC60-40138A	BOLT-W.MOTOR	SM10C,HEX,M8,L62,-,ZPC2(YEL),,-	2	WEIGHT/L
DD60-50018A	NUT-FLANGE	-,M5XP0.8,FZY,MSWR10,-	2	HINGE
DC60-50148B	NUT-HEX	SM20C(NYLON),M12,-,-,ZPC3(YEL),-,HEX,P-PROJECT	1	PULLEY
DC60-10019B	SCREW MACHINE	-,-,M5,L12,RH,+,-,-,STS430,SEAL-LOCK	2	HINGE+FRAME
DC60-10019B	SCREW MACHINE	-,-,M5,L12,RH,+,-,-,STS430,SEAL-LOCK	2	HOLD-GLASS+HINGE
DC60-20054D	SCREW TAPPING	-,-,D4,L12,TH,+1,-,STS304,-	2	COVER-DOOR
DC60-20140A	SCREW TAPPING	-,-,D4,L20,FH,+1,-,WHT,HSWR1018	2	LEVER-DOOR
DC60-20054C	SCREW TAPPING	-,-,D4,L12,TH,+1,-,FE FZY,-	2	CAP-TRAP
DC60-20054D	SCREW TAPPING	-,-,D4,L12,TH,+1,-,STS304,-	1	VANE-CHECK
DC60-20050C	SCREW TAPPING	-,FE,D3,L8,-,-,2S,-,FZY,-	2	B/K+PRE-S/W
DC60-20054A	SCREW TAPPING	-,-,D4,L10,TH,+1,-,ZPC3,-	2	B/K-C.T
DC60-20060A	SCREW TAPPING	-,-,D4,L8,TH,+2,-,FE,FZY	1	
DC60-20054D	SCREW TAPPING	-,-,D4,L12,TH,+1,-,STS304,-	2	S/W-DOOR+FRAME
DC60-20049A	SCREW TAPPING	-,SCM430,D4,L12,PH,+2,-,-,-	1	HOUSING-DRAWER
DC60-20054C	SCREW TAPPING	-,-,D4,L12,TH,+1,-,FE FZY,-	1	HOUSING-DRAWER
DC60-20136A	SCREW TAPPING	-,-,D5,20,TH,+2,-,ZPC3,COVER-TOP	2	FRAME(TOP)
DC60-20030A	SCREW TAPPING	-,STS304,M4,L12,FH,-,1,-,WHT,-	1	C-PANEL+FRAME
DC60-20049A	SCREW TAPPING	-,SCM430,D4,L12,PH,+2,-,-,-	4	PCB+C-PANEL
DC60-20054D	SCREW TAPPING	-,-,D4,L12,TH,+1,-,STS304,-	2	PUMP+FRAME
DC60-20060A	SCREW TAPPING	-,-,D4,L8,TH,+2,-,FE,FZY	8	FRAME+FRAME-FRONT
DC60-20060A	SCREW TAPPING	-,-,D4,L8,TH,+2,-,FE,FZY	4	FRAME+PLATE-UPPER
DC60-20138A	SCREW TAPPING	-,SWCH18A,D4,L12,PH,TORX,1,-,ZPC2,-	1	P/CORD
6001-000947	SCREW-MACHINE	TH,+M4,L10,NTR/WHT,STS304	2	W/V(C)+FRAME
6001-000947	SCREW-MACHINE	TH,+M4,L10,NTR/WHT,STS304	2	W/V(H)+FRAME
DC60-30015B	SCREW-SPECIAL	-,-,D4,L12,PH,+FLANGE,-,ZnFe(YEL),-	1	TUB+HOSE-PRESS
DC60-30015B	SCREW-SPECIAL	-,-,D4,L12,PH,+FLANGE,-,ZnFe(YEL),-	2	C/TOP+FRAME
DC60-30015B	SCREW-SPECIAL	-,-,D4,L12,PH,+FLANGE,-,ZnFe(YEL),-	5	SHUTTER
DE60-10046A	SCREW-TAP PH	-,-,FEFZY,-,PH,M3,-,L8,-,-	2	
DE60-10012A	SCREW-TAP TITE	-,SWR10,M4,L10,TH,+,-,3,ZPC2,-	1	H/BEARING+E/W
DE60-10012A	SCREW-TAP TITE	-,SWR10,M4,L10,TH,+,-,3,ZPC2,-	1	B/K-PRESSURE+FRAME
DE60-10012A	SCREW-TAP TITE	-,SWR10,M4,L10,TH,+,-,3,ZPC2,-	1	P/CORD(E/W)
DE60-10012A	SCREW-TAP TITE	-,SWR10,M4,L10,TH,+,-,3,ZPC2,-	1	
6002-000161	SCREW-TAPPING	PH,+2,M4,L8,ZPC(YEL),SM20C	2	DECORRATION
6002-000444	SCREW-TAPPING	TH,+2S,M4,L14,NTR,STS304	2	B/K-HEATER
6002-000445	SCREW-TAPPING	TH,+2S,M4,L18,NTR,STS304	2	PANEL+FRM+HOUSING-D
DC60-60040A	WASHER-NYLON	-,ID10.5,OD32,T2,-,PBSP-1/2H	1	FIXER
DC60-60040A	WASHER-NYLON	-,ID10.5,OD32,T2,-,PBSP-1/2H	3	WEIGHT/L
DC60-60044B	WASHER-PLAIN	SBC,ID8.4,OD30,T3,-,-,-	1	FIXER
DC60-60043A	WASHER-PLAIN	-,ID8,OD25,T1.2,-,SBHG-1,-,-	1	
DC60-60025C	WASHER-PLAIN	PVC,ID5.5,OD10,T1,-,-,WHT(SWF-P12)	2	HINGE
DC60-60044A	WASHER-PLAIN	-,ID10.5,OD30,T3,-,STS304	2	DAMPER
DC60-60044B	WASHER-PLAIN	SBC,ID8.4,OD30,T3,-,-,-	1	MOTOR
DC60-60044B	WASHER-PLAIN	SBC,ID8.4,OD30,T3,-,-,-	3	WEIGHT/L
DC60-60044B	WASHER-PLAIN	SBC,ID8.4,OD30,T3,-,-,-	2	WEIGHT/U
DC60-60049A	WASHER-SPRING	-,ID10.5,OD18,T2.5,-,SIR	1	PULLEY