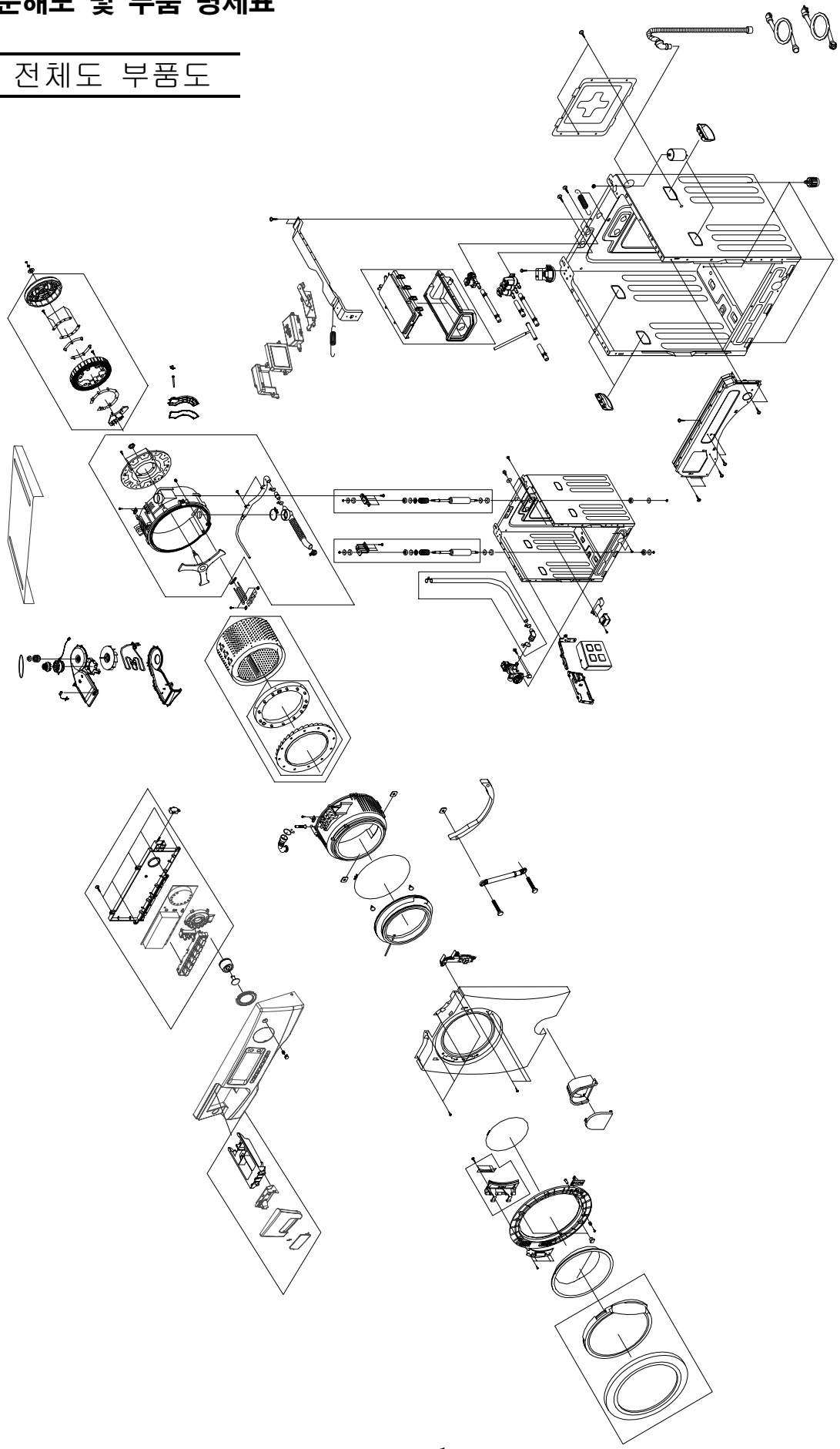
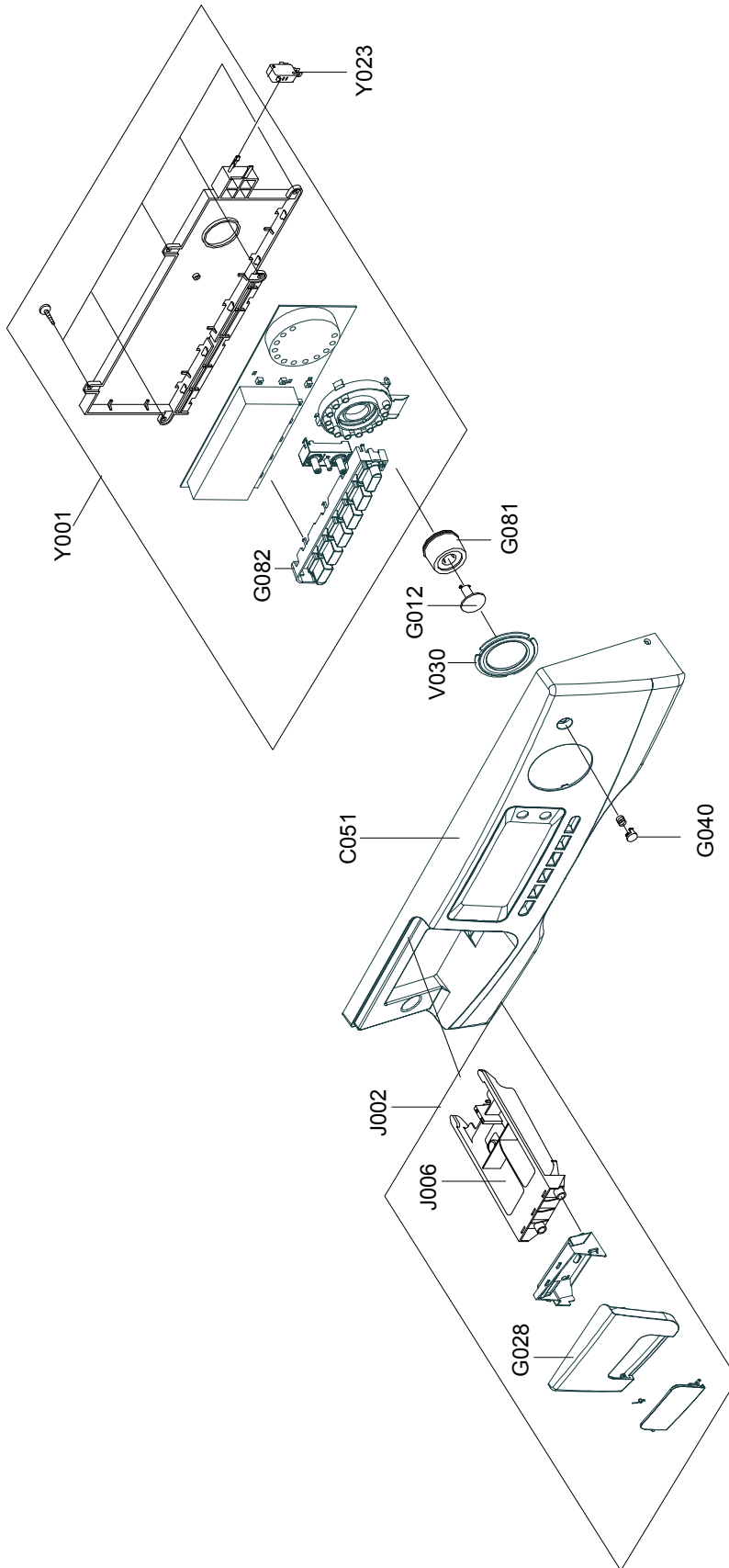


1. 분해도 및 부품 명세표

전체도 부품도



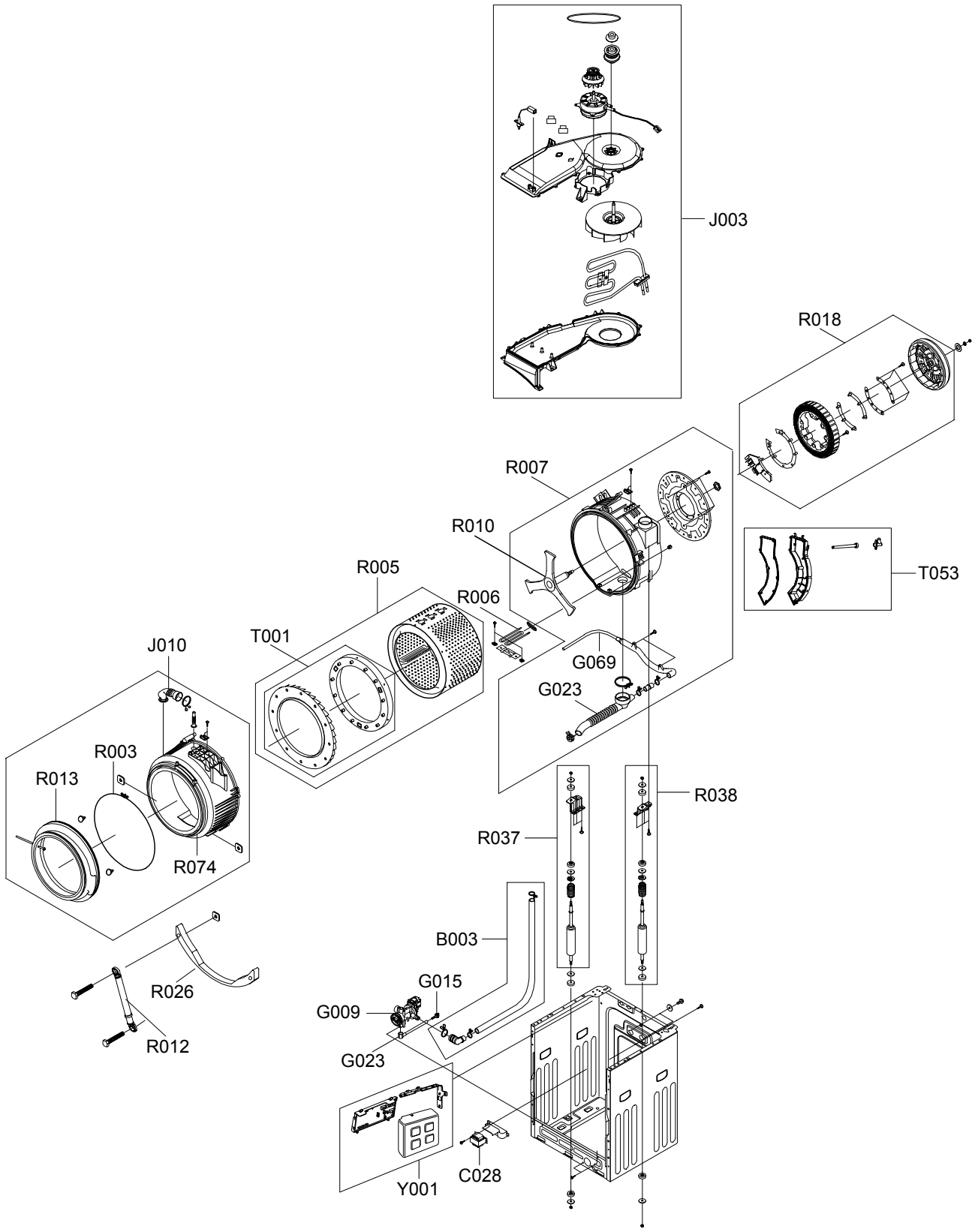
세제통/SUB PCB 분해도



세제통/SUB PCB 부품 List

NO.	CODE NO.	DESCRIPTION;SPECIFICATION	QTY
C051	DC97-06862G	ASSY-PANEL CONTROL;SEW-4HR122A,PANEL CON	1
G012	DC64-00726A	BUTTON-ENCODER;SEW-4HR125,ABS,-,-,SNOW-W	1
G028	DC64-00725A	PANEL-DRAWER;SEW-4HR125,ABS,-,-,SNOW	1
G040	DC64-00731A	BUTTON-PUSH(P);SEW-4HR125,ABS,-,-,SNOW-W	1
G081	DC97-06573A	ASSY-KNOB ENCODER;SEW-4HR125A,K3	1
G082	DC64-00730A	BUTTON-PUSH(F);SEW-4HR125,ABS,-,-,SNOW-W	1
J002	DC97-06526A	ASSY-DRAWER;SEW-4HR125A,SNOW-WHT/K3	1
J006	DC61-00824A	BODY-DRAWER;TS85-PJT,PP(TB-53),-,-,-,-	1
V030	DC64-00733C	WINDOW-ENCODER;SEW-4HR145A,ABS,-,-,-,-	1
Y001	MES-4HR123A-S0	ASSY PCB PARTS;K2-AG PLUS LED COMBI	1
Y023	3405-001067	SWITCH-MICRO;125/250VAC,15A/0.1A,200GF,S	1

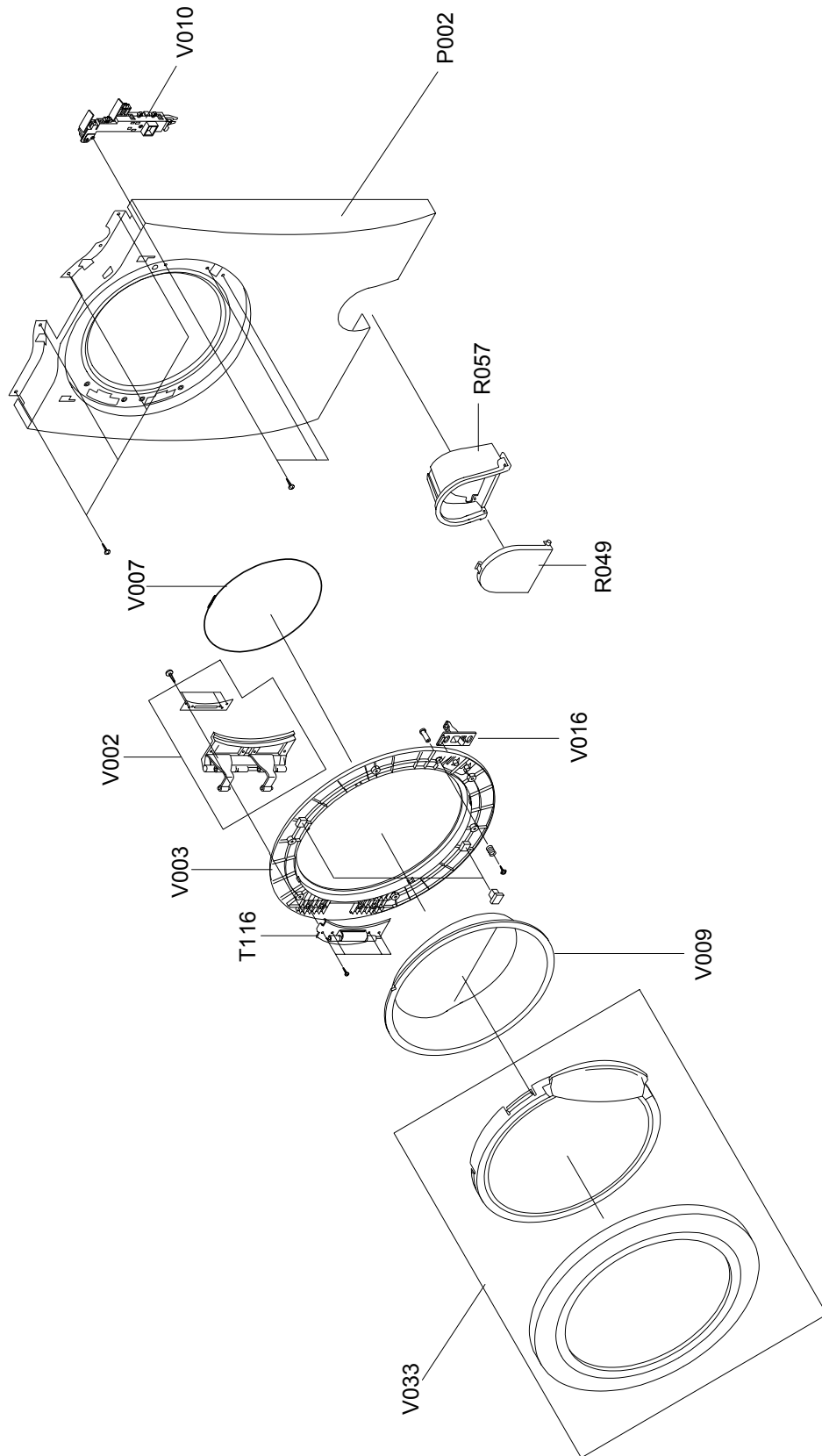
TUB/Damper/Main/Motor PCB 분해도



TUB/Damper/Main/Motor PCB List

NO.	CODE NO.	DESCRIPTION;SPECIFICATION	QTY
B003	DC97-02417G	ASSY-HOSE DRAIN(I);SEW-3HW125,L830(HARD-	1
C028	DC26-00009B	TRANS-REACTORV;-;SEW-SA101,-,-,220V,-,-,	1
G009	DC96-00391B	ASSY-PUMP DRAIN;5KG/STANDARD/HANYU,TS85(1
G015	DC61-10673A	CAP-DRAIN;SWF-P12,PP(TB53),-,-,WHT,-,	1
G023	DC67-00058A	HOSE-DRAIN;TS85-PJT,EPDM,-,-,-,BLK,-	1
G023	DC62-10302A	HOSE-DRAIN;SWF-P12,EPDM,ID5.5,-,-,L220,B	1
G069	DC67-00067A	HOSE-AIR PRESSURE;TS85-PJT,EPDM,-,-,-,	1
J003	DC97-05674F	ASSY-DUCT SCROLL;SEW-3HR125,TRAUM-UCK/CH	1
J010	DC67-00095A	HOSE-DRAWER;SEW-HR125,EPDM,-,-,-,BLK,C	1
R003	DC97-04981A	ASSY-CLAMP DIAPHGRAM;TS85-PJT,TUB	1
R005	DC97-04978A	ASSY-DRUM;TS85-PJT,LIFTER-DRUM	1
R006	DC47-00006E	HEATER;;SEW-HW125/HR125,SUS316L,1900W,,2	1
R007	DC97-04975K	ASSY-TUB BACK;SEW-4HR145A,COMBI	1
R012	DC66-00325A	DAMPER-SHOCK;TS85-PJT,-,-,-,L272,BLK,G	1
R013	DC64-00663B	DOOR-DIAPHRAGM;SEW-4HR145A,EPDM,-,-,-,	1
R018	DC31-00049A	MOTOR-DRUM;NEWMOTECH,SEW-HW125,-,-,-,1	1
R026	DC63-00368B	BALANCER-LOWER;SEW-HW/HR125,FRPP(GH42S),	1
R037	DC97-05240A	ASSY-DAMPER(L);SEW-3HW125(K2),OIL-DAMPER	1
R038	DC97-05241A	ASSY-DAMPER(R);SEW-3HW125(K2),OIL-DAMPER	1
R074	DC61-00819B	TUB-FRONT;SEW-HR125,FRPP(GF15%),-,-,NTR,	1
T001	DC97-04980C	ASSY-BALANCER;TS85,NEW-TURBIN/PRO-CLOTH	1
T053	DC97-05666A	ASSY-DUCT CONDENSER;SEW-HR125,COMBI	1
Y001	MES-4HR123A-00	ASSY PCB PARTS;K2LED AG COMBI	1

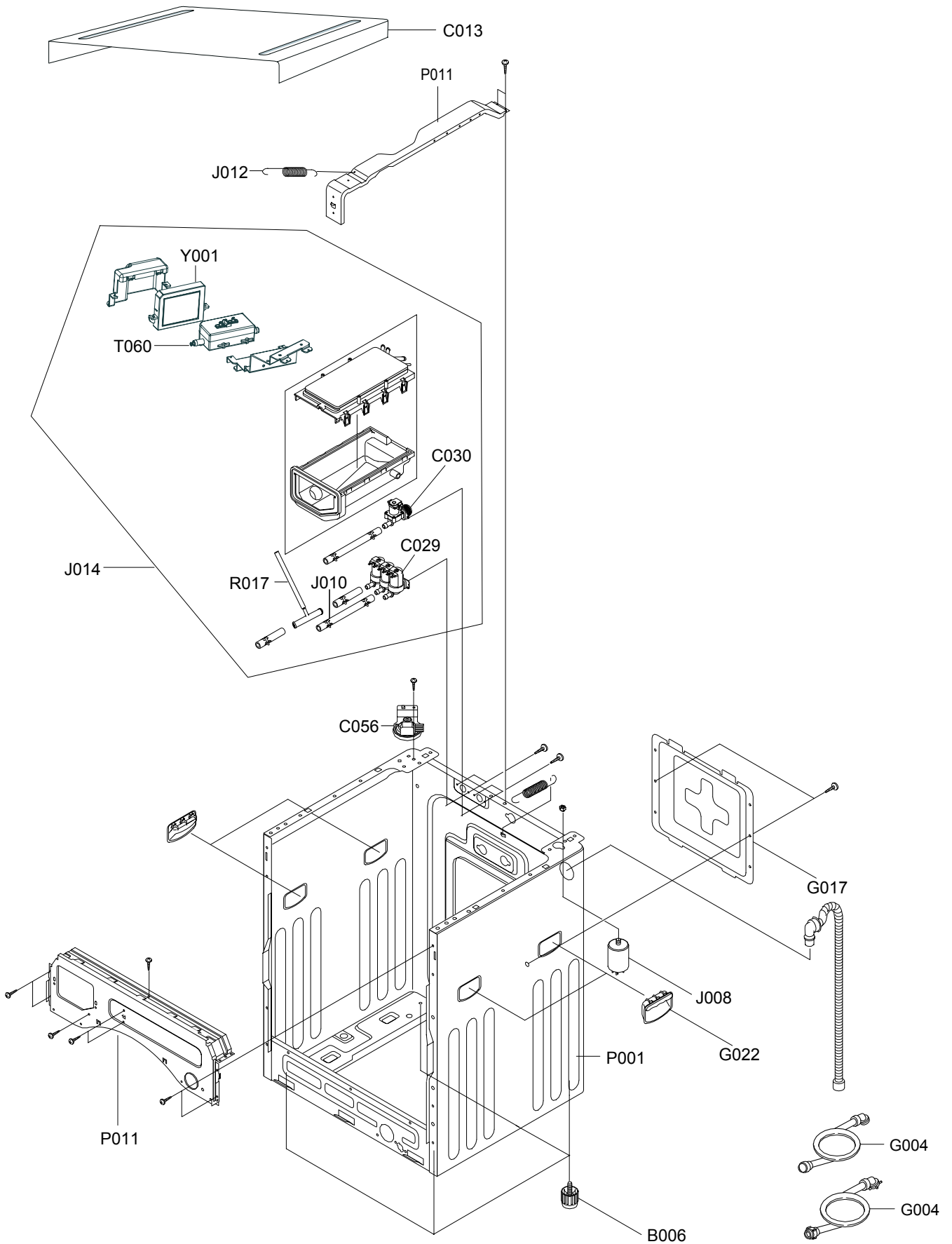
Frame front/Assy Door 분해도



Frame front/Assy Door 부품 List

NO.	CODE NO.	DESCRIPTION;SPECIFICATION	QTY
P002	DC97-05331D	ASSY-FRAME FRONT;SEW-4HR125A,K3/NO-COVER	1
R049	DC97-05626A	ASSY-COVER FILTER;SEW-3HW125T,SNOW/WHT+L	1
R057	DC61-01099A	GUIDE-COVER FILTER;SEW-3HW123,ABS,-,-,-,	1
T116	DC61-00957A	BRACKET-HOLDER;K2-DD,GI,T1.2,-,-,-,-	1
V002	DC97-05233A	ASSY-HINGE;SEW-3HW125,K2-PJT/CR	1
V003	DC97-05234A	ASSY-HOLDER GLASS;SEW-3HW125(K2),FRPP/20	1
V007	DC97-04973A	ASSY-WIRE DIAPHRAGM;TS85-PJT,FRAME-FRONT	1
V009	DC64-00504B	DOOR-GLASS;SEW-HW125,SODALIME,-,-,-,-,	1
V010	DC64-00519A	DOOR-LOCK S/W;DW100,NYLON,-,-,-,-,WHT,VD	1
V016	DC66-00375A	LEVER-DOOR;10KG DRUM,ZNDC,2.5MM,-,-,-,NI	1
V033	DC97-05235E	ASSY-COVER DOOR;SEW-4HR124A,METAL-CLEAR	1

Frame front/Assy Door 분해도



Frame front/Assy Door 부품 List

NO.	CODE NO.	DESCRIPTION;SPECIFICATION	QTY
B006	DC97-06665A	ASSY-LEG;TS-85,ASSY-LEG	4
C013	DC63-00419A	COVER-TOP;K2-DD,SBHG1,T0.8,-,-,-,-,-	1
C029	DC62-00142B	VALVE-WATER(C);TS85,-,0.65L/5L/10L,220V5	1
C030	DC62-30314F	VALVE-WATER(H);SEW-HW125/HR125,-,-,0.5~3	1
C056	DC97-03716C	ASSY-SENSOR PRESSURE;SEW-3HW123,DN-S14T/	1
G004	DC97-06603A	ASSY-HOSE WATER;PULSATOR(10KG),BLUE/ID10	1
G004	DC97-06603B	ASSY-HOSE WATER;PULSATOR(10KG),RED/ID10.	1
G017	DC63-00375D	COVER-BACK;SEW-HW125,GI,T0.5,-,-,-,-,NO-	1
G022	DC61-20016U	HANDLE;WLSL1100A,PP,-,-,-,-,SNOW/WHT,-	4
J008	DC29-00005B	FILTER-EMI;FA-2151T-2,1.2MM NUT,250V,15A	1
J010	DC67-00051A	HOSE-DRAWER;S1093~S6093,EPDM,-,-,-,-,BLK	1.03
J012	DC61-00912A	SPRING-HANGER;TS85-PJT,SWC,CD2.0,ID14,OD	1
J012	DC61-01094A	SPRING-HANGER;SEW-3HR125,PWC,CD2.0,ID18,	1
J014	DC97-06523B	ASSY-HOUSING DRAWER;SEW-4HR145A,M3/SPONG	1
P001	DC99-00460A	ASSY-PAINT;K2,SEW-3HW125T/SNOW-WHT	1
P011	DC61-00944A	FRAME-PLATE(U);K2-DD,GI,-,-,-,-,T1.0,-,-,-	1
T060	DC97-06485A	ASSY-GUIDE WATER;SEW-4HR125A,BOTH SIDE H	1
Y001	MES-AGMOD-S1	ASSY PCB PARTS;K1-AG MODULE	1

Bolt / Screw Parts List

NO.	DESCRIPTION	SPECIFICATION	REMARK	QTY
6002-000525	SCREW-TAPPING	FH,+ ,1,M4,L12,PASS,STS304	PANEL+UPPER	1
6002-000213	SCREW-TAPPING	TH,+ ,1,M4,L12,ZPC(YEL),SWRCH18	B/HINGE+H/GLASS	4
6002-001006	SCREW-TAPPING	TH,+ ,2S,M4,L12,-,STS410	H/GLASS+C/DOOR	10
6002-001279	SCREW-TAPPING	PWH,+ ,1,M4,L12,PASS,STS304,-	LEVER-DOOR	2
6003-000226	SCREW-TAPTITE	TH,+ ,S,M4,L8,ZPC(YEL),SWRCH18A	HINGE	4
6002-000213	SCREW-TAPPING	TH,+ ,1,M4,L12,ZPC(YEL),SWRCH18	S/DOOR+SPRING	1
6002-000213	SCREW-TAPPING	TH,+ ,1,M4,L12,ZPC(YEL),SWRCH18	COVER-PCB+PANEL	6
6002-000635	SCREW-TAPPING	PH,+ ,2S,M4,L8,ZPC(YEL),SWRCH18	PCB(S)+GUIDE-PCB	1
6002-000444	SCREW-TAPPING	TH,+ ,2S,M4,L14,NTR,STS304	THERMOSTAT	2
6002-001277	SCREW-TAPPING	HEX,+ ,2,M6.5,L40,ZPC(YEL),SWRCH10A,P1.8,PLANGE	TUB-FRONT+BACK	10
6002-001306	SCREW-TAPPING	TH,+ ,1,M4,L14,ZPC(YEL)	CABLE-CLAMP+TUB	1
6002-001313	SCREW-TAPPING	HWH,+ ,2S,M6.5,L25,ZPC(YEL)	ASSY-D/S+TUB	7
6002-001313	SCREW-TAPPING	HWH,+ ,2S,M6.5,L25,ZPC(YEL)	DAMPER+TUB	8
6006-001170	SCREW-TAPPING	WS,TH,+ ,M4,L10,ZPC(YEL)	B/HOUSING+EARTH	1
6009-001373	SCREW-HEX	HWH,+ ,-,M6.5,L16,ZPC(WHT),SWRCH18A,2,-	COVER-DRY	2
6011-001490	BOLT-ETC	M6,L56,ZPC(YEL),SWRCH10A,P1.0,HEX,WSP	MOTOR+B/HOUSING	4
6021-001133	NUT-HEXAGON	1C,M24,ZPC(YEL)_SWCH10A,L41	SHAFT+B/HOUSING	1
6021-001140	NUT-HEXAGON CAP	-,M8,ZPC(BLK),SWRCH18A,-	DAMPER+FRAME	2
6031-001455	WASHER-PLAIN	STS304,-,ID14,OD30,T2,PASS,SERRATION	MOTOR+SHAFT	1
6031-001471	WASHER-WAVE	STS430,M40,ID35,OD45,T0.5,ZPC,WAVE	FLANGE-SHAFT	1
DC60-40141A	BOLT-HEX	SM10C/DAMPER,HEX,M8,L66,-,ZPC2(YEL),-,-	DAMPER+W/BALANCE	1
DC60-50148B	NUT-HEX	SM20C(NYLON),M12,-,-,ZPC3(YEL),-,HEX,P-PROJECT	MOTOR+SHAFT	1
DC60-60044A	WASHER-PLAIN	-,ID10.5,OD30,T3,-,STS304	DAMPER+W/BALANCE	2
DC60-60049A	WASHER-SPRING	-,ID10.5,OD18,T2.5,-,SIR	MOTOR+SHAFT	1
DC61-00201A	BRACKET-NUT	SBHG-R,P1291,T3,-,-,-,NO-PAINT/MOTOR	W/BALANCE+DAMPER	1
DC97-02412E	ASSY-BOLT	SWF-P12,WEIHGT(U)/M8*L123	WEIGHT+TUB	2
DC60-20127A	SCREW-TAPPING	-,D4,L12,TH,+ ,2,-,-,STS430	-	2
DC61-40348B	BRACKET-NUT	SBHG-R,P1291,T3,-,-,-,NO-PAINT	-	2
DC60-40005A	BOLT-HEX	M4,L60,ZPC2(YEL),SS41C,-,-,-,-	-	1
DC60-50010A	NUT-DIAPHRAGM	EGI,M4,-,-,2.5TX20X8	-	1
DC60-50010B	NUT-DIAPHRAGM	EGI,M4.2,-,-,2.5TX20X8	-	1
6002-000213	SCREW-TAPPING	TH,+ ,1,M4,L12,ZPC(YEL),SWRCH18	C/HEATER+TUB	1
6002-000213	SCREW-TAPPING	TH,+ ,1,M4,L12,ZPC(YEL),SWRCH18	C/WIRE+TUB	4
6002-000213	SCREW-TAPPING	TH,+ ,1,M4,L12,ZPC(YEL),SWRCH18	HOLDER-WIRE	2
6002-000213	SCREW-TAPPING	TH,+ ,1,M4,L12,ZPC(YEL),SWRCH18	HOSE AIR-PRE	2
6002-000444	SCREW-TAPPING	TH,+ ,2S,M4,L14,NTR,STS304	B/H	2
6002-000475	SCREW-TAPPING	TH,+ ,1,M4,L20,-,STS304	DUCT+TUB	9
6002-001278	SCREW-TAPPING	HEX,+ ,2,M6.5,L18,ZPC(WHT),SWRCH10A,P1.8,PLANGE	B/SPRING+TUB	2
6011-001548	BOLT-ETC	M7.5,L30,ZPC(YEL),SWRCH18A,HEX, WSP WASHER	B/H+TUB	20
6002-000213	SCREW-TAPPING	TH,+ ,1,M4,L12,ZPC(YEL),SWRCH18	THERMISTOR/NOZZLE	4
DE60-40014A	WASHER-C MOTOR	M16,T1.0,SECC,-,-,-,-,-	AIR-HOSE	2
6002-001006	SCREW-TAPPING	TH,+ ,2S,M4,L12,-,STS410	LIFTER	3
6002-001305	SCREW-TAPPING	TH,+ ,2S,M5,L16,PASS	BALANCE+WRAPPER	6
6011-001491	BOLT-FLANGE	M8,L38.5,PASS,STS304,P1.25,HEX,KNURING	F/SHAFT+DRUM	6
6002-001006	SCREW-TAPPING	TH,+ ,2S,M4,L12,-,STS410	-	12
6031-001463	WASHER-SPECIAL	SBHG1-A,-,ID13.2,OD40,T2.0,ZPC(YEL),DAMPER	-	1
DC60-50012A	NUT-HEX	ZC,M10,ZPC2(YEL),-,SS	-	1
6031-001464	WASHER-PLAIN	SBHG1-A,-,ID8.5,OD36,T2.0,ZPC(YEL),DAMPER(L)	-	1
6031-001465	WASHER-PLAIN	SBHG1-A,-,ID10.5,OD38,T2,ZPC(BLK),DAMPER(U)	-	1
6031-001463	WASHER-SPECIAL	SBHG1-A,-,ID13.2,OD40,T2.0,ZPC(YEL),DAMPER	-	1
DC60-50012A	NUT-HEX	ZC,M10,ZPC2(YEL),-,SS	-	1

Bolt / Screw Parts List

NO.	DESCRIPTION	SPECIFICATION	REMARK	QTY
6031-001464	WASHER-PLAIN	SBHG1-A,-,ID8.5,OD36,T2.0,ZPC(YEL),DAMPER(L)	-	1
6031-001465	WASHER-PLAIN	SBHG1-A,-,ID10.5,OD38,T2,ZPC(BLK),DAMPER(U)	-	1
6031-001465	WASHER-PLAIN	SBHG1-A,-,ID10.5,OD38,T2,ZPC(BLK),DAMPER(U)	-	1
6002-000239	SCREW-TAPPING	TH,+,2S,M4,L8,ZPC(YEL),SM20C	W/HOLD+THER	4
6002-000444	SCREW-TAPPING	TH,+,2S,M4,L14,NTR,STS304	B/HEATER	3
6002-001306	SCREW-TAPPING	TH,+,1,M4,L14,ZPC(YEL)	DUCT U+L	10
6021-000225	NUT-HEXAGON	2C,M6,ZPC(YEL),SM20C	P/FAN+MOTOR	1
DC60-20026A	SCREW-TAPPING	-,D5.2,L18,HH,+,2,-,FE,FZY	MOTOR-FAN	4
6021-000225	NUT-HEXAGON	2C,M6,ZPC(YEL),SM20C	FAN	1
6031-001466	WASHER-WAVE	STS304,-,ID15,OD21,T0.45,PASS,WAVE	H/FAN(U)	1
6031-001467	WASHER-PLAIN	SCP1,-,ID8.1,OD16,T0.5,ZPC(YEL),DRY	H/FAN(U)	2
6031-001468	WASHER-PLAIN	BSS1,-,ID13,OD21,T0.5,ZPC(YEL),DRY	H/FAN(U)	1
6002-000239	SCREW-TAPPING	TH,+,2S,M4,L8,ZPC(YEL),SM20C	B/COVER+FRAME	2
6002-001006	SCREW-TAPPING	TH,+,2S,M4,L12,-,STS410	PUMP+FRAME	2
6002-001327	SCREW-TAPPING	PWH,+,1,M4,L12,NI PLT	G/C FILTER+FRAME	4
6002-001327	SCREW-TAPPING	PWH,+,1,M4,L12,NI PLT	SHUTTER+B/PLATE	4
6009-001343	SCREW-SPECIAL	PH,TORX,,M4,L10,PASS	P/CORD	1
DC60-40146A	BOLT-SPANER	-,OD36,T2.5,L52,FE,FZY,-,P12	ACCESSORY	1
DC60-40142B	BOLT-HEX	SEW-3HR105,SM10C,HEX,L114.5,-,M7,ZPC2(YEL),-,FIXER	-	1
DC60-60040A	WASHER-NYLON	-,ID10.5,OD32,T2,-,PBSP-1/2H	FIXER	1
DC60-60044B	WASHER-PLAIN	SBC,ID8.4,OD30,T3,-,-	FIXER	1
6011-001494	BOLT-ETC	M7,L101,ZPC(YEL),SWRCH18A,P3.2/SCREW	-	1
DC60-60040A	WASHER-NYLON	-,ID10.5,OD32,T2,-,PBSP-1/2H	FIXER	1
DC60-60044B	WASHER-PLAIN	SBC,ID8.4,OD30,T3,-,-	FIXER	1
DC97-07025A	ASSY-COVER SCREW	K2-PJT,SPONGE+COVER SCREW	-	2
DC63-00453A	COVER-SCREW	K2-PJT,PP,-,-,-,SNOW/WHT,-	-	1
6001-001699	SCREW-MACHINE	FH,+,M5,L16,CR PLT,STS304,FP,-	HINGE+F/FRONT	4
6002-000213	SCREW-TAPPING	TH,+,1,M4,L12,ZPC(YEL),SWRCH18	B/REACTOR	1
6002-000213	SCREW-TAPPING	TH,+,1,M4,L12,ZPC(YEL),SWRCH18	B/REACTOR+TRANS	1
6002-001006	SCREW-TAPPING	TH,+,2S,M4,L12,-,STS410	DOOR-S/W	3
6002-001006	SCREW-TAPPING	TH,+,2S,M4,L12,-,STS410	H/DRAWER	2
6002-001099	SCREW-TAPPING	TH,+,2,M4,L18,Ni PLT,SWRCH18A	PANEL+H/DRAWER	2
6002-001327	SCREW-TAPPING	PWH,+,1,M4,L12,NI PLT	C/FRONT(L)+FRAME	2
6003-000226	SCREW-TAPTITE	TH,+,S,M4,L8,ZPC(YEL),SWRCH18A	B/PCB+FRAME	4
6003-000226	SCREW-TAPTITE	TH,+,S,M4,L8,ZPC(YEL),SWRCH18A	B/SPRING	5
6003-000226	SCREW-TAPTITE	TH,+,S,M4,L8,ZPC(YEL),SWRCH18A	FRAME-FRONT	6
6003-000226	SCREW-TAPTITE	TH,+,S,M4,L8,ZPC(YEL),SWRCH18A	PLATE(U)	6
6003-000226	SCREW-TAPTITE	TH,+,S,M4,L8,ZPC(YEL),SWRCH18A	PRESSURE-S/W	1
6003-000226	SCREW-TAPTITE	TH,+,S,M4,L8,ZPC(YEL),SWRCH18A	VALVE(C)	2
6003-000226	SCREW-TAPTITE	TH,+,S,M4,L8,ZPC(YEL),SWRCH18A	VALVE(H)	2
6006-001170	SCREW-TAPPING	WS,TH,+,M4,L10,ZPC(YEL)	M-W.HARNES(EARTH)	1
6006-001170	SCREW-TAPPING	WS,TH,+,M4,L10,ZPC(YEL)	P-CORD(EARTH)	1
6009-001317	SCREW-SPECIAL	CH,+,M4,L10,ZPC(YEL),SWRCH18A,FP,TAPTITE	B/UPPER+T/COVER	2
6002-001306	SCREW-TAPPING	TH,+,1,M4,L14,ZPC(YEL)	-	1
6003-000226	SCREW-TAPTITE	TH,+,S,M4,L8,ZPC(YEL),SWRCH18A	B/SPRING+GUIDE	2
6002-000213	SCREW-TAPPING	TH,+,1,M4,L12,ZPC(YEL),SWRCH18	BRACKET+GUIDE W.	2
6003-000226	SCREW-TAPTITE	TH,+,S,M4,L8,ZPC(YEL),SWRCH18A	PCB+BRACKET	2
6002-001006	SCREW-TAPPING	TH,+,2S,M4,L12,-,STS410	-	2
6001-000928	SCREW-MACHINE	PH,+,M3,L10,ZPC(YEL),SWRCH10A,	-	2
6002-000630	SCREW-TAPPING	PH,+,2S,M3,L8,ZPC(YEL),SWRCH18	SCREW	2

2. 전장부품 명세표

SEW-4HR122A

NO	CODE-NO	부품명	규격	수량	비고
1	DC96-00751A	ASSY-M.WIRE HARNESS	4HR145A,12KG/AG+/M3-	1	
2	DE96-00364A	ASSY-WIRE HARNESS	SEW-4HR126,Ag+/ SUB WIRE	1	
3	DC31-00043A	MOTOR-DRUM	NEWMOTECH,SEW-HW125,-,-,-,1200RPM,-,DC310V,CLASS "B",-,-,DD BLDC-POM1300	1	
4	DC96-00001K	Assy Power cord	220V,15A, 2.0X3C	1	
5	DC64-00519A	Assy Door S/W	220V,16A,0.1A,T85	1	
6	DC62-30314F	Water Valve(H)	220V,60Hz,5L	1	
7	DC62-00142B	Water Valve(C)	220V,50/60Hz.5L,10L,0.65L,3Way	1	
8	DC96-00256H	Assy Pump Drain	220V,60Hz	1	
9	DC47-00006E	Heater	230V,1900W,SUS	1	
10	3405-001067	Micro-S/W	230V,16A,0.1A,SPDT	1	
11	DC29-00005B	FILTER EMI	250V,15A	1	
12	DC96-00421B	Thermostat	250A,25A,150 °C OFF/-5 °C ON	1	
13	DC31-00044A	Motor dry	220V,1.0uF	1	
14	DC47-00002C	Thermostat	16A,145°C,SDF-V501250V ZERTAN	1	
15	DC47-00003C	Thermostat	16A, 90 /75 ° C	1	
16	DC32-00128H	Thermistor	PTM-K51F-S13,100 ° C	1	
17	DC32-00004B	Thermistor	PTM-K51F-S13,50 ° C	1	
18	DC47-00012B	Heater dry	220V,2000W,KAWAI	1	
19	DC75-00004A	Condensor dry	DIGITAL TECH,450V,85 ° C	1	
20	MES-4HR123A-00	ASSY PCB PARTS	K2LED AG COMBI	1	
21	MES-4HR123A-S0	ASSY PCB PARTS	K2-AG PLUS LED COMBI	1	
22	MES-AGMOD-S1	ASSY PCB PARTS	K1-AG MODULE	1	