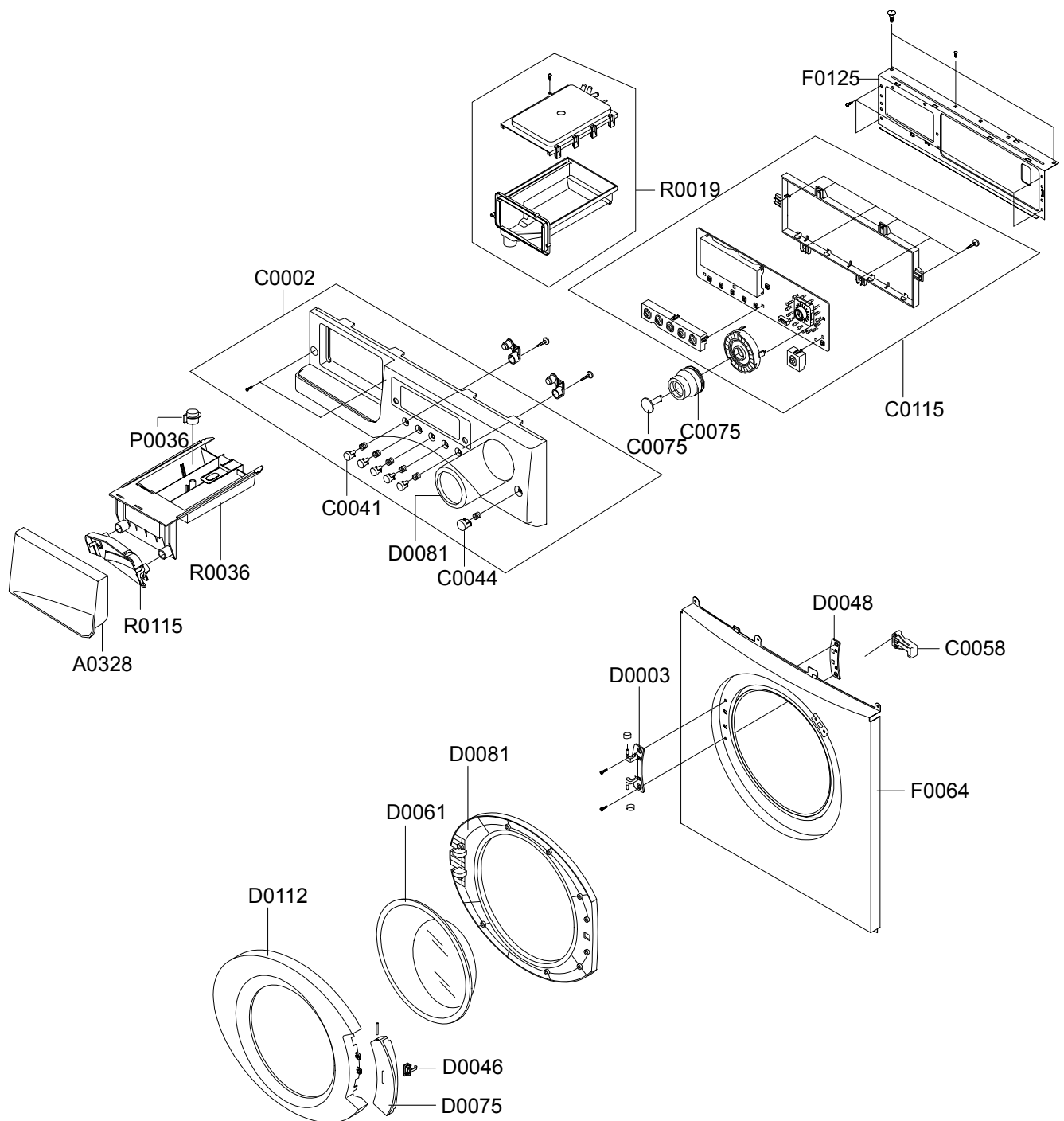
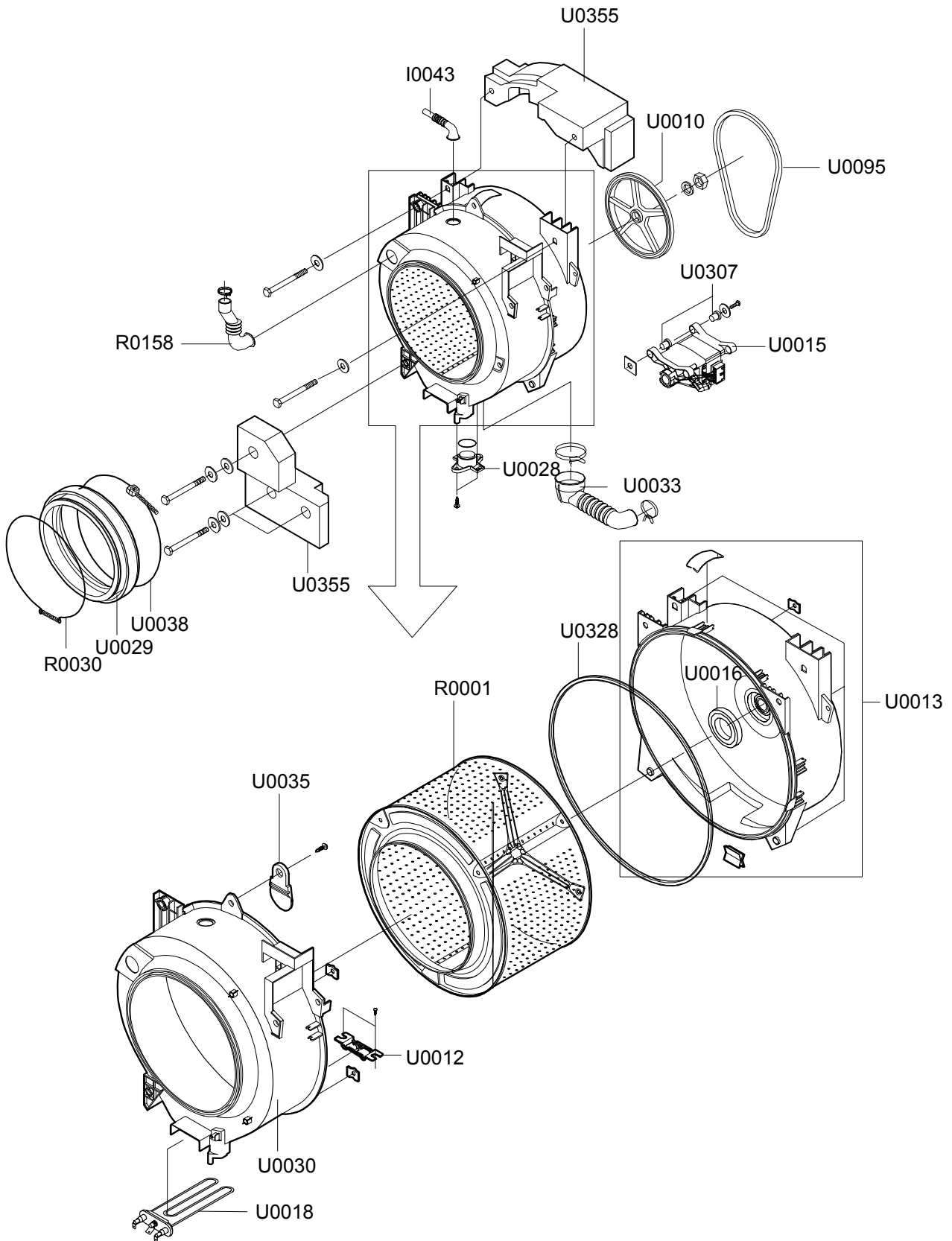
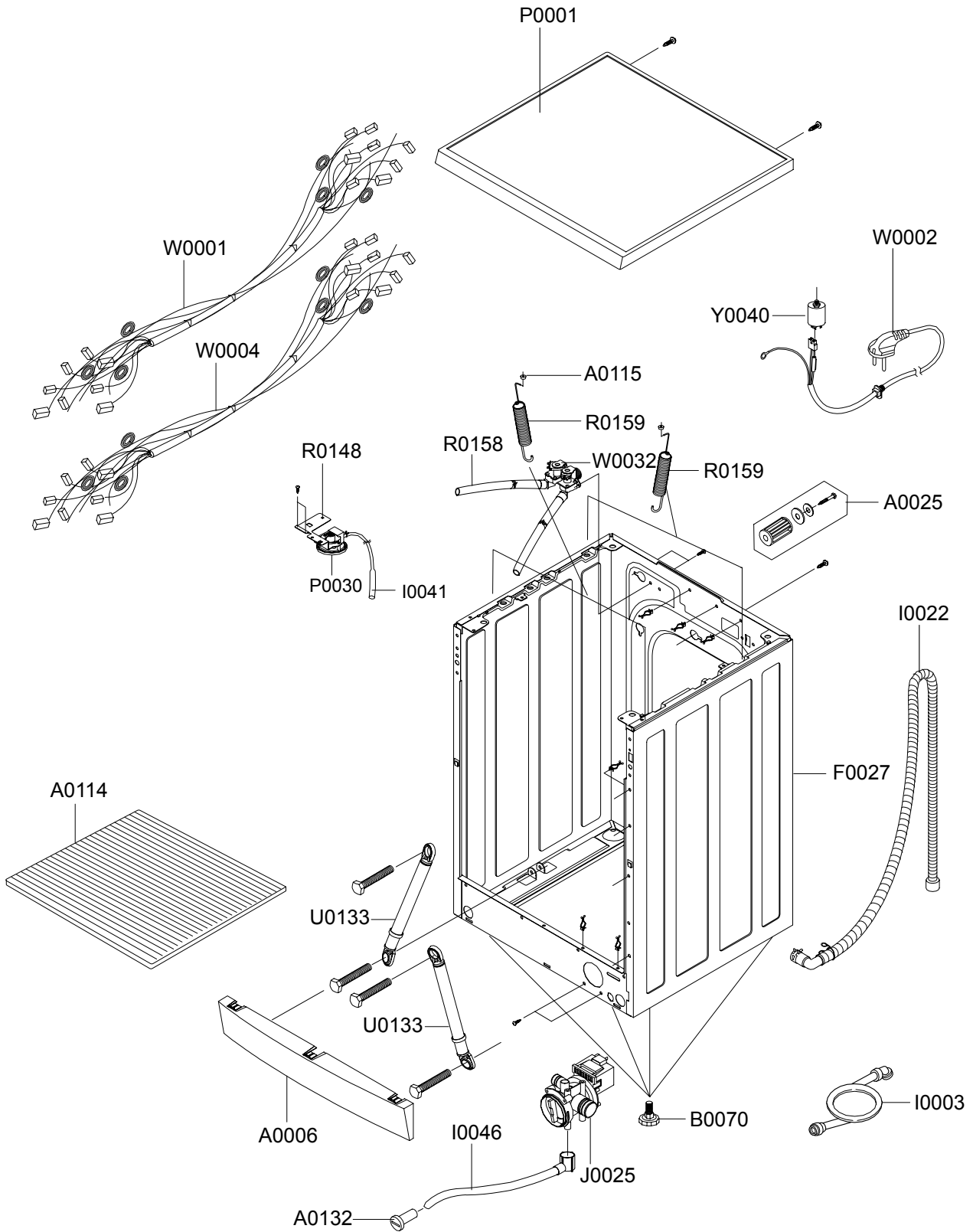

15. TOP(FRONT) - Exploded View



15. TUB - Exploded View



15. CASE - Exploded View



15. Parts List

NO.	CODE NO.	DESCRIPTION	QTY	SA/SNA	REMARK
C0058	DC64-00120E	DOOR-LOCK S/W:760DR,NYLON,-,WHT,-,-,VDE/	1	SA	
C0103	DC66-00141A	LEVER-DOOR;P1092,ZnDC,-,-,-,-,DOOR LOC	1	SA	
C0116	DC66-30160A	LEVER;PE,L335,SWF-P12(ORG)	1	SA	
R0030	DC91-12078A	ASSY-WIRE DIAPHRAGM;SWF-P12,FRAME-FRONT	1	SA	
D0061	DC64-00920A	DOOR-GLASS;R831,GLASS,-,-,-,NTR,CKD /C	1	SA	
D0045	DC97-03423A	ASSY-HOLDER GLASS;P1405J,ABS,WHT,CUSION-	1	SA	
D0004	DC97-00100C	ASSY-HINGE;S1005J,OPEN ANGLE 180DEG	1	SA	
D0109	DC61-60519A	GUIDE-BAR;SWF-P12,SHV-745CC1(SSEC),-,-,-	2	SA	
D0010	DC97-04751L	ASSY-COVER DOOR;S815JGS,AUTO-DOOR/CIS-SI	1	SA	S815JGS
D0010	DC97-04751J	ASSY-COVER DOOR;F-PJT/AUTO-DOOR,GLD/CR_C	1	SA	S815JGE
R0106	DD60-50018A	NUT-FLANGE;- ,M5XP0.8,FZY,MSWR10,-	2	SA	S815JGS
R0106	DD60-50018A	NUT-FLANGE;- ,M5XP0.8,FZY,MSWR10,-	2	SA	S815JGE
U0095	6602-001073	BELT-TIMING GEAR;POLYURETHAN,1270,J3,MEG	1	SA	
U0015	DC31-00002H	MOTOR-DRUM;HXGP21,S803J,-,50HZ,-,-,LOW-R	1	SA	
U0018	DC47-00006B	HEATER;KAWAI,P-SLIM MODEL,SUS316L,-,-,23	1	SA	
U0003	DC60-60044B	WASHER-PLAIN;SBC,ID8.4,OD30,T3,-,-,-	1	SA	
U0355	DC66-00137B	WEIGHT-BALANCER;SB-PJT,CONCREET,-,-,-,-,	1	SA	
W0001	DC96-00053B	ASSY-WIRE HARNESS;P8091/6091(SUB),LOW-RP	1	SA	
Z0006	DC97-02412B	ASSY-BOLT;SWF-P12,WEIHGT(L)/M8*L147	2	SA	
U0354	DC97-06393A	ASSY-SEMI TUB DRUM;S821GWS2/YLP,SSEC	1	SA	
U0360	DC61-60499B	CLIP-TUB;HSWR,P1291,-,NO/PAINT,	7	SA	
U0010	DC66-10176B	PULLEY;ALDC,-,D297,P1291,ID12.5	1	SA	
R0001	DC97-02099B	ASSY-DRUM;SB-PJT,DRUM-F/B(0.4T)	1	SA	
U0013	DC97-02137B	ASSY-TUB BACK;SB-PJT,SAMBAK(10%)	1	SA	
U0016	DC62-00007A	SEAL-OIL;- ,NBR(SD25),BLK,-,-,-,P6091/NBU	1	SA	
U0328	DC62-40183A	PACKING-TUB;SWF-P12,EPDM,-,-,-,-,BLK,-	1	SA	
U0307	DC61-00041A	CUSHION-MOTOR;SWF-6V,BUTYL,-,-,-,ID16/OD	1	SA	
U0023	DC61-40348B	BRACKET-NUT;SBHG-R,P1291,T3,-,-,-,NO-PAI	2	SA	
U0026	DC97-02138D	ASSY-TUB FRONT;SLIM,NON-G/S-DIAPHRAGM	1	SA	
U0307	DC61-00041A	CUSHION-MOTOR;SWF-6V,BUTYL,-,-,-,ID16/OD	1	SA	
U0029	DC61-20219A	DOOR-DIAPHRAGM;EPDM,-,-,-,-,GRY,SWF-	1	SA	
U0033	DC62-00121A	HOSE-FILTER TUB;S1005J,EPDM,ID65,-,-,-,-	1	SA	
I0043	DC62-10303A	HOSE-AIR;- ,EPDM,ID24,-,-,L130,BLK,SWF-P1	1	SA	
R0158	DC62-10305A	HOSE-DRAWER TUB;- ,EPDM,ID35,-,-,L158,BLK	1	SA	
U0038	DC91-12077A	ASSY-CLAMP DIAPHRAGM;SWF-P12,TUB	1	SA	
U0353	DC61-60359E	CLAMPER HOSE;F1235AS/F1035AS,-,-,ID7.8,Y	1	SA	
U0353	DC61-60359E	CLAMPER HOSE;F1235AS/F1035AS,-,-,ID7.8,Y	1	SA	
U0353	DC61-60497A	CLAMPER HOSE;SWF-P12,HSWR,-,ID70/OD75.8,	1	SA	
U0023	DC61-40348B	BRACKET-NUT;SBHG-R,P1291,T3,-,-,-,NO-PAI	2	SA	
U0023	DC61-00201A	BRACKET-NUT;SBHG-R,P1291,T3,-,-,-,NO-PAI	1	SA	
	DC63-00651A	COVER-HEATER;Q1657TGW/XEU,GI,T0.4,-,-,-,	1	SA	
U0133	DC66-00421A	DAMPER-SHOCK;F-PJT,FRICITION-DAMPER,-,-,-	2	SA	
U0003	DC60-60044A	WASHER-PLAIN;- ,ID10.5,OD30,T3,-,STS304	2	SA	
U0023	DC61-00201A	BRACKET-NUT;SBHG-R,P1291,T3,-,-,-,NO-PAI	1	SA	
U0320	DC60-40141A	BOLT-HEX;SM10C/DAMPER,HEX,M8,L66,-,ZPC2(2	SA	
Z0006	DC97-02412H	ASSY-BOLT;Q1657,-	1	SA	
Z0006	DC97-06159C	ASSY-BOLT;SLIM-PJT/M7*L71(39.4,FORWEIGHT	1	SA	
A0034	DC60-40146A	BOLT-SPANER;- ,OD36,T2.5,L52,FE,FZY,-,P	1	SA	

15. Parts List

NO.	CODE NO.	DESCRIPTION	QTY	SA/SNA	REMARK
C0105	DC61-00520A	SPRING-HANDLE;BIG-WASH,STS304,CD0.5,-,OD	1	SA	
A0006	DC61-10672H	COVER-FRONT(L);F1235JS,PP,-,-,-,-,SIL,	1	SA	
A0043	DC61-10688A	CAP-FIXER;SWF-P12,PP(TB53),-,-,-,WHT,-,	4	SA	
U0082	DC62-00116A	FILTER-NET;P1205J,EPDM+STS304,-,OD25,ID9	1	SA	
I0030	DC62-10278A	HOSE-HANGER;-,PP(JS20),-,-,-,NTR,-	1	SA	
I0003	DC62-10289C	HOSE-WATER(C);RUSSIA,PVC+NYLON,ID10.3,-,	1	SA	
I0046	DC62-10302A	HOSE-DRAIN;SWF-P12,EPDM,ID5.5,-,-,L220,B	1	SA	
C0075	DC64-00262A	KNOB-ENCODER;B1215J,ABS(HG-0760),-,-,-,-	1	SA	
A0242	DC64-00948G	INLAY-PANEL;S815JGS,PC,T0.5,-,-,CIS-SIL,	1	SA	S815JGS
A0242	DC64-00948H	INLAY-PANEL;S815JGE,PC,T0.5,-,-,GOLD,2-D	1	SA	S815JGE
A0328	DC64-00968G	PANEL-DRAWER;S815JGS,ABS,-,-,-,CIS-SIL	1	SA	
J0025	DC31-30008D	PUMP-DRAIN;SW-70XP,220/240V,50Hz,SYNCHRO	1	SA	
J0019	DC61-10652B	CASE-PUMP;PP(5113MF6),SW-5C1P,-,-,-,WHT,	1	SA	
U0359	DC62-00066A	FILTER-CASE;-,PP,-,-,-,-,BLK/SW90V2	1	SA	
J0024	DC62-00187A	SEAL-WASHER;SW80ASPIW/YMI,NBR,BLK,-,-,-,	1	SA	
R0047	DC67-00114A	CAP-FILTER;SW80ASPIW/YMI,P.P,-,-,-,BLK,-	1	SA	
W0002	DC96-00146A	asSY POWER CORD;UCP2,-,250V/16A,-,-,-,-,	1	SA	
I0022	DC97-00139E	ASSY-HOSE DRAIN(O);SB-PJT,PP/L1770/CHINA	1	SA	
A0025	DC97-02106A	ASSY-FIXER TUB;S1005J,SLIM-PJT	3	SA	
R0147	6011-001421	BOLT-FLANGE;M7,L61(29.4),ZPC(YEL),SWRCH1	3	SA	
U0003	DC60-60044B	WASHER-PLAIN;SBC,ID8.4,OD30,T3,-,-,-	3	SA	
U0005	DC60-60040A	WASHER-NYLON;- ,ID10.5,OD32,T2,-,PBSP-1/2	3	SA	
C0002	DC97-08755D	ASSY-PANEL CONTROL;S1015J-S815J,CIS-SIL/	1	SA	S815JGS
C0002	DC97-08755F	ASSY-PANEL CONTROL;S1015J-S815J,GLD/RUS	1	SA	S815JGE
C0044	DC64-00260A	BUTTON-PUSH(P);B1215J,ABS(HG-0760),-,-,C	1	SA	
U0320	DC60-40144A	BOLT-HEX;M10,L41,ZPC2(YEL),SM10C/DAMPER	2	SA	
R0036	DC61-00366A	BODY-DRAWER;SL-600,TB-53,-,-,-,-,-	1	SA	
P0036	DC61-10316B	CAP-RINSE;SEW-740DR,PP(TB-52),-,-,-,BLUE	1	SA	
R0155	DC64-00261A	HANDLE-DRAWER;B1215J,ABS(HG-0760),-,-,-,	1	SA	
C0115	MFS-S815J-00	ASSY PCB PARTS:MFS-S815J-00;	1	SA	
C0075	DC64-00250G	BUTTON-ENCODER;S1015JGW/YLP,TRP/ABS/BLUE	1	SA	
U0353	DC61-00118A	CLAMPER HOSE;P1291,LYLON6/6,ID27,OD30,-,	1	SA	
Y0040	DC29-00006A	FILTER-EMI;DFC-2712R,P/PV/SLIM,250V,12A,	1	SA	
R0159	DC61-00441A	SPRING-HANGER;S1005J,HSWR,CD3.0,-,-,L175	2	SA	
A0115	DC61-60180A	SLEEVE-PLUG;NYLON#6,SEW-720DR,-,-,NTR	2	SA	
W0004	DC96-00538B	ASSY-M.WIRE HARNESS;F1015J(AUTO),COLD(2W	1	SA	
R0027	DC97-00731A	ASSY-SENSOR PRESSURE;P1091,S-PRE+BRAKET+	1	SA	
P0001	DC97-00851M	ASSY-COVER TOP;S803JGS,MDF/SILVER/SLIM	1	SA	S815JGS
P0001	DC97-00851K	ASSY-COVER TOP;S803JGE,MDF/GOLD(EUN BI)S	1	SA	S815JGE
U0356	DC65-10001A	CABLE TIE;DA-140,-,-,-,-,-	6	SA	
R0019	DC97-09221H	ASSY-HOUSING DRAWER;S815JGW/YLP,SLIM	1	SA	
W0032	DC62-00024F	VALVE-WATER;B1215J,NYLON66/250TRMN,-,-,N	1	SA	
R0158	DC67-00148A	HOSE-DRAWER;MID-RANGE,EPDM,-,-,-,-,BLK,-	2	SA	
R0019	DC97-02132F	ASSY-HOUSING DRAWER;WF-R125AC,TROIKA-PJT	1	SA	
R0096	DC63-00143A	HOUSING-DRAWER(L);PP(TB-53),SL-600,-,WHT	1	SA	
F0064	DC97-08897B	ASSY-FRAME FRONT;S815JGS,AUTO-DOOR/CIS-S	1	SA	S815JGS
F0064	DC97-08893A	ASSY-FRAME FRONT;F1215JGE/,GLD/AUTO DOOR	1	SA	S815JGE
F0027	DC99-00537A	ASSY-PAINT FRAME;S803,SIL/T0.8	1	SA	S815JGS

15. Parts List

NO.	CODE NO.	DESCRIPTION	QTY	SA/SNA	REMARK
A0114	DC61-00440A	SHUTTER;SLIM-PJT,PP,WHT,	1	SA	
A0362	DC61-40081A	HOLDER-WIRE;DAWH-2NC,NYLON66,-,-,-,-,NTR	6	SA	
B0070	DC97-02079A	ASSY-LEG;S1005J,SLIM/25MM	4	SA	
U0353	DC61-00133A	CLAMPER HOSE;P1291,PP(BJ-730),ID24.5,OD2	1	SA	
F0065	DC97-05134B	ASSY-FRAME PLATE(U);WF-R1053/XSC,R-PJT/S	1	SA	
D0081	DC61-40346A	HOLDER-GLASS;SWF-P12,ABS,-,-,-,-,-	1	SNA	
D0112	DC61-10682K	COVER-DOOR;S815JGS,ABS,-,-,-,-,-,CIS-SIL	1	SNA	S815JGS
D0112	DC61-10682G	COVER-DOOR;F1015J,ABS,-,-,-,-,-,GLD,AUTO	1	SNA	S815JGE
U0024	DC61-00364C	TUB-BACK;SB-PJT,FRPP(GR10%)SAMBAK,-,-,-,-,	1	SNA	
U0012	DC61-00856A	BRACKET-HEATER;SB-PJT,STS430,-,-,-,-,-	1	SNA	
U0035	DC62-20311C	VANE-CHECK;SB-PJT,EPDM,-,-,-,BLK,CHINA	1	SNA	
U0030	DC61-00365D	TUB-FRONT;S821,FRPP(GR10%)SAMBAK,-,-,-,-,S	1	SNA	
I0041	DC67-00107A	HOSE-PRESSURE;S821,PE-BLOW,ID13.2,OD6.2,	1	SNA	
U0355	DC66-00172B	WEIGHT-BALANCER;SLIMMODEL ETC.,CONCRET	1	SNA	
A0329	DC64-00516E	INLAY-ENCODER;S815JGS,PC,T0.5,-,-,-,CIS-SI	1	SNA	S815JGS
A0329	DC64-00084X	INLAY-ENCODER;F813J/GOLD,PC(T=0.7),-,-,-,-	1	SNA	S815JGE
P0030	DC32-30006P	SENSOR PRESSURE;DN-S14(P1291),TERMINAL-T	1	SNA	
R0148	DC61-40345A	BRACKET-PRESSURE;GI or GA,SWK-P12,T1.0,-	1	SNA	
P0002	DC61-10683H	COVER-TOP(F);S803JGS3/YLP,ABS,-,-,W596,L28	1	SNA	S815JGS
P0002	DC61-10683K	COVER-TOP(F);S803JGE3/YLP,ABS,-,-,W596,L28	1	SNA	S815JGE



❶ This Service Manual is a property of Samsung Electronics Co.,Ltd.
Any unauthorized use of Manual can be punished under applicable
International and/or domestic law.

© Samsung Electronics Co., Ltd. August 2005
Printed in Korea
Code No. : DC68-02546A