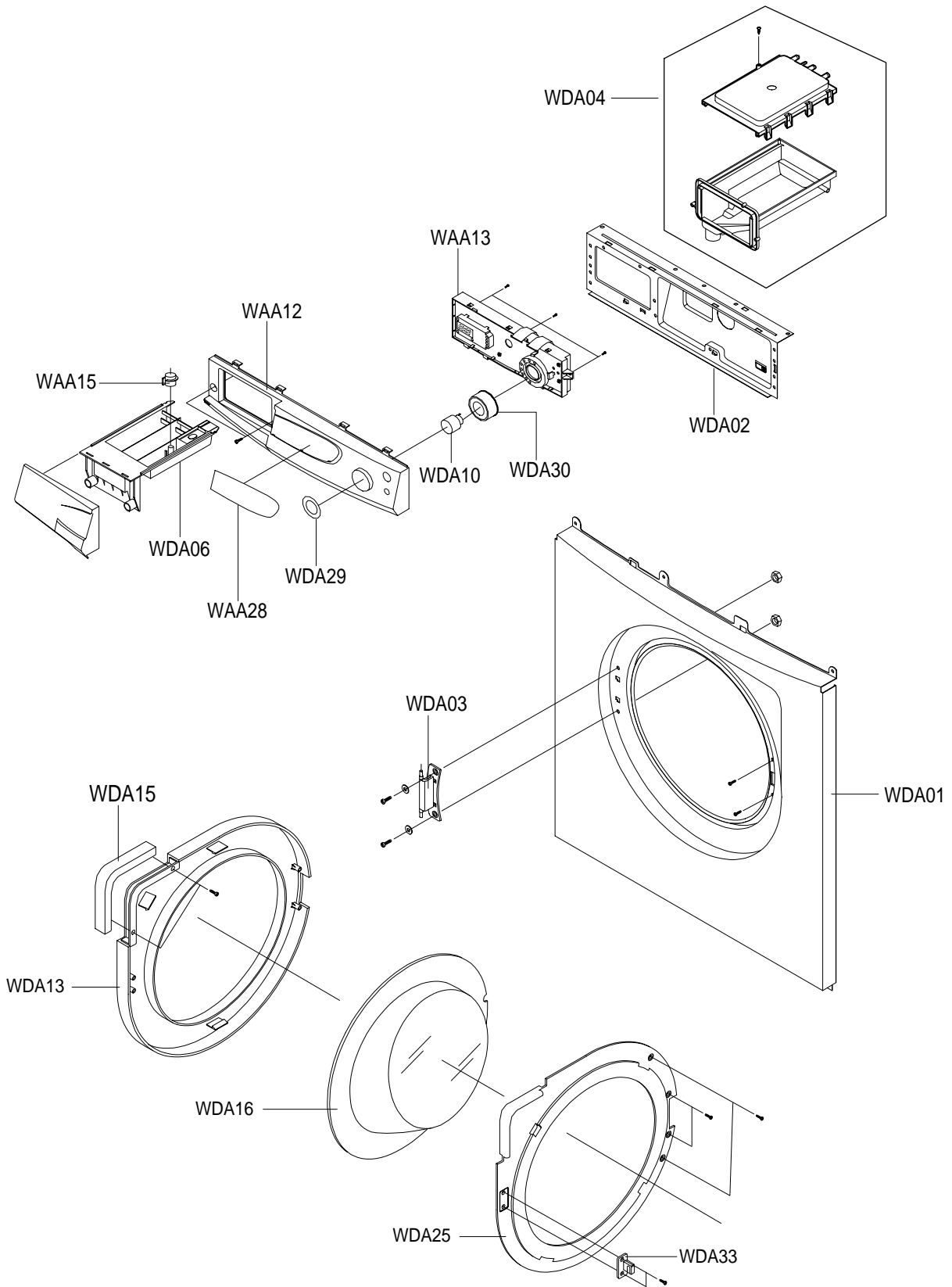
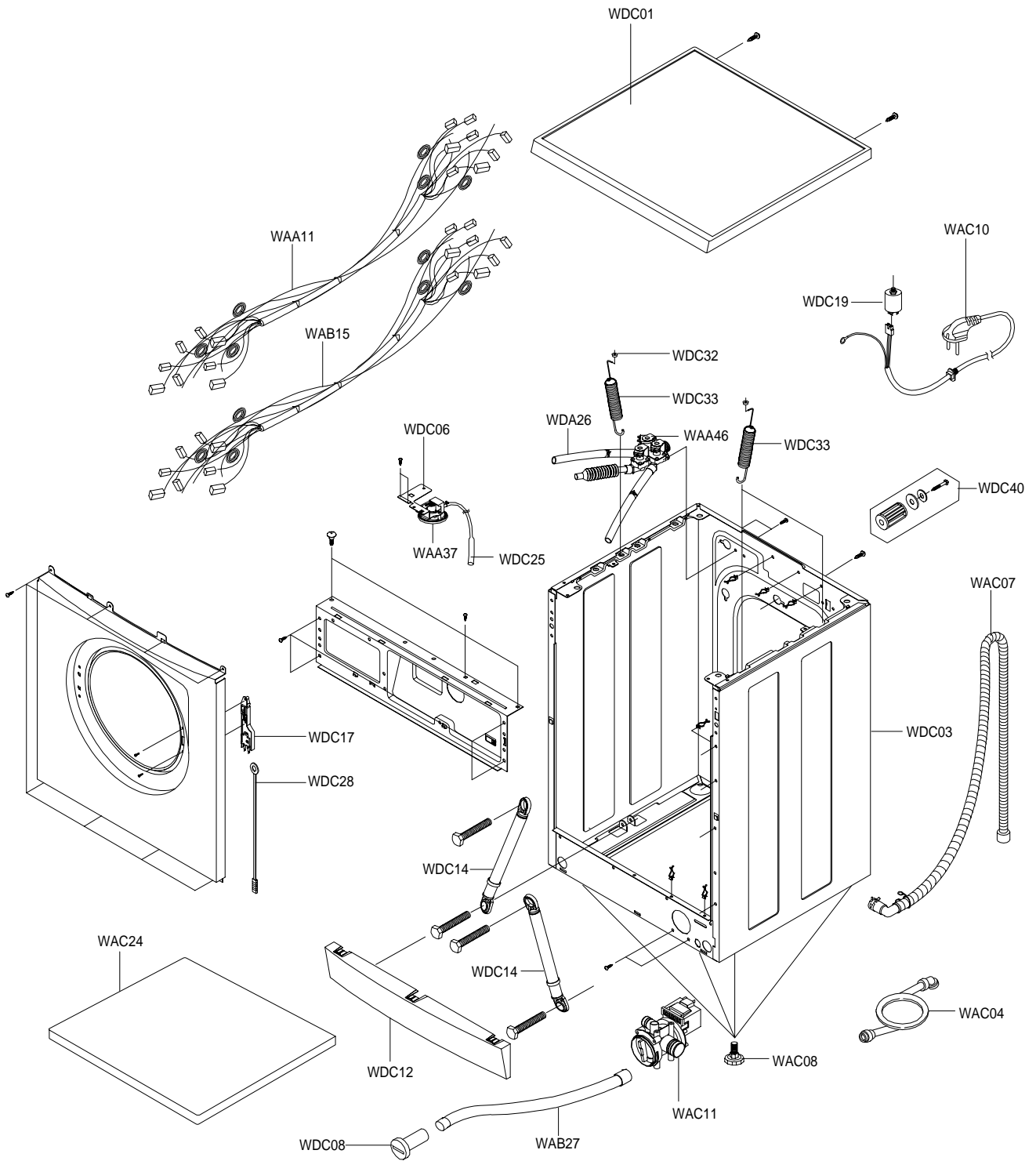

15. TOP(FRONT) - Exploded View



15. CASE - Exploded View



15. Parts List

LOCATION NO.	CODE NO.	DESCRIPTION;SPECIFICATION	Q'TY	REMARK
WAA11	DC96-00307A	ASSY-M.WIRE HARNESS;S1005J,COLD ONLY,AUT	1	
WAA12	DC97-02492C	ASSY-PANEL CONTROL;S1005J,SNOW/WHT(ENG)	1	
WAA13	MF-S1005J-00	ASSY PCB PARTS;S1005J	1	
WAA15	DC61-10316B	CAP-RINSE;PP(TB-52),WHT,SEW-740DR	1	
WAA28	DC64-00232H	INLAY-PANEL;S1005J,PC(T=0.5),-,WHT,-,E	1	
WAA37	DC32-30006P	SENSOR PRESSURE;DN-S14(P1291),TERMINAL-T	1	
WAA46	DC62-30313D	VALVE-WATER;-,-,NYLON,-,NTR,-,ELBI/3WAY	1	
WAB15	DC96-00053B	ASSY-WIRE HARNESS;P8091/6091(SUB),LOW-RP	1	
WAB22	DC61-00041A	CUSHION-MOTOR;SWF-6V,BUTYL,-,-,ID16/OD	1	
WAB22	DC61-00041A	CUSHION-MOTOR;SWF-6V,BUTYL,-,-,ID16/OD	1	
WAB27	DC62-10302A	HOSE-DRAIN;EPDM,ID5.5,BLK,L220,OD9.5	1	
WAC04	DC62-10289B	HOSE-WATER(C);PVC+NYLON,ID10.2,GRY,L1500	1	
WAC07	DC97-00139D	ASSY-HOSE DRAIN(O);S1005J,PP(BB110)/L182	1	
WAC08	DC97-02079A	ASSY-LEG;S1005J,SLIM/25MM	1	
WAC10	DC96-00146A	ASSY-POWER CORD;P1291~P6091,250V/16A(PV)	1	
WAC11	DC96-00115A	ASSY-PUMP DRAIN;P1291-P1091,220-240V/50H	1	
WAC24	DC61-00440A	SHUTTER;PP,WHT,SLIM-PJT	1	
WDA01	DC97-00416A	ASSY-FRAME FRONT;SWF-P12,FRAME-FRONT	1	
WDA02	DC97-00417A	ASSY-FRAME PLATE(U);SWF-P12,FRAME-PLATE(1	
WDA03	DC97-00100C	ASSY-HINGE;S1005J,OPEN ANGLE 180DEG	1	
WDA04	DC97-02132A	ASSY-HOUSING DRAWER;S1005J,SLIM(U.M/L AS	1	
WDA06	DC61-00366A	BODY-DRAWER;SL-600,TB-53,-,-,-,-,-	1	
WDA10	DC64-00085A	BUTTON-ENCODER;TRP/ABS,GRN,PV2-PJT,-	1	
WDA13	DC61-10682A	COVER-DOOR;ABS,WHT,SWF-P12	1	
WDA15	DC64-20013B	DECORATION-LID;ABS,GRY,SWF-P10/SWF-P8,-	1	
WDA16	DC61-00013A	DOOR-GLASS;GLASS,NTR,SWF-P12	1	
WDA25	DC61-40346A	HOLDER-GLASS;ABS,WHT,SWF-P12,-	1	
WDA26	DC62-00122A	HOSE-DRAWER;S1005J,ID10,-,-,-,SLIM-PJT	1	
WDA29	DC64-00084D	INLAY-ENCODER;S1005J ~ S803J,PC(T=0.7),-	1	
WDA30	DC64-00082A	KNOB-ENCODER;PV2-PJT,TRP/ABS,-,WHITE(W97	1	
WDA33	DC66-00096A	LEVER-DOOR;ZnDC,-,W20,L40,-,-,P1405J,-	1	
WDB02	DC91-12077A	ASSY-CLAMP DIAPHGRAM;SWF-P12,TUB	1	
WDB03	DC97-02099A	ASSY-DRUM;S1005J,LEFTER TYPE	1	
WDB06	DC97-02103A	ASSY-TUB BACK;S1005J(SLIM),BACK/1000RPM	1	
WDB08	DC91-12078A	ASSY-WIRE DIAPHRAGM;SWF-P12,FRAME-FRONT	1	
WDB12	6602-001073	BELT-TIMING GEAR;POLYURETHAN,1270,J3,MEG	1	
WDB17	DC61-40344A	BRACKET-HEATER;STS430,T1,SWF-P12,-	1	
WDB26	DC61-20219C	DOOR-DIAPHRAGM;P805J,EPDM,-,GRY,-,-,(WAS	1	
WDB29	DC47-00006B	HEATER;KAWAI,P-SLIM MODEL,SUS316L,-,-,23	1	
WDB31	DC62-10303A	HOSE-AIR;EPDM,ID24,BLK,L130,SWF-P12/OD4	1	
WDB32	DC62-10305A	HOSE-DRAWER TUB;EPDM,ID35,BLK,L158,SWF-P	1	
WDB33	DC62-00121A	HOSE-FILTER TUB;S1005J,ID65,-,-,-,SLIM	1	
WDB34	DC31-00002E	MOTOR-DRUM;HXGN2I.02,SFW-P8,-,50Hz,-,-,L	1	
WDB37	DC62-40183A	PACKING-TUB;-,-,EPDM,BLK,T8,-,-,SWF-P12	1	
WDB38	DC66-10176B	PULLEY;ALDC,-,D297,P1291,ID12.5	1	
WDB39	DC62-00007A	SEAL-OIL;-,-,NBR(SD25),BLK,-,-,-,P6091/NBU	1	
WDB40	DC61-60496A	SPACER-HEATER;SWF-P12,PBT,-,-,-,-,-,-,-	2	
WDB41	DC61-00365A	TUB-FRONT;SL-600,FRPP(GR30%),-,-,-,-	1	
WDB42	DC62-20311A	VANE-CHECK;SWF-P12,EPDM,-,-,-,-,BLK,-	1	
WDB46	DC66-00171A	WEIGHT-BALANCE;GC-150,SL-600,SLIM/UPPER/	1	
WDB46	DC66-00172A	WEIGHT-BALANCE;GC-150,SL-600,SLIM/LOWER/	1	

15. Parts List

LOCATION NO.	CODE NO.	DESCRIPTION;SPECIFICATION	Q'TY	REMARK
WDC01	DC97-00851H	ASSY-COVER TOP;S1005J,MDF/WHT/SLIM	1	
WDC03	DC99-00138A	ASSY-PAINT FRAME;S803J,COLD/SLIM-MODEL	1	
WDC06	DC61-40345A	BRACKET-PRESSURE;GI or GA,T1.0,SWK-P12,-	1	
WDC08	DC61-10673A	CAP-DRAIN;PP(TB53),WHT,SWF-P12	1	
WDC12	DC61-10672A	COVER-FRONT(L);SWF-P12,PP(BJ-730),-,-,WH	1	
WDC14	DC66-60149A	DAMPER-SHOCK;- ,SWF-P12,80N	2	
WDC17	DC64-00120E	DOOR-LOCK S/W;760DR,NYLON,-,WHT,-,-,VDE/	1	
WDC19	DC29-00006A	FILTER-EMI;DFC-2712R,P/PV/SLIM,250V,12A,	1	
WDC25	DC62-10311A	HOSE-PRESSURE;EPDM,ID13.5,BLK,-,SWF-P12/	1	
WDC28	DC66-30160A	LEVER;PE,L335,SWF-P12(ORG)	1	
WDC32	DC61-60180A	SLEEVE-PLUG;SEW-720DR,NYLON#6,-,-,NTR	2	
WDC33	DC61-00441A	SPRING-HANGER;S1005J,HSWR,CD3.0,-,L175,-	2	
WDC40	DC97-02106A	ASSY-FIXER TUB;S1005J,SLIM-PJT	5	

15. Screw/Bolt List

CODE NO.	DESCRIPTION	SPECIFICATION	Q'TY	ASSEMBLY LOCATION
DC60-40144A	BOLT-HEX	M10,L41,ZPC2(YEL),SM10C/DAMPER	2	DAMPER+FRAME
6011-001232	BOLT-HEX	D7,L71(39.4),ZPC(YEL),SWRCH18A	1	WEIGHT/L
6011-001422	BOLT-HEX	M10,L20,ZPC(YEL),SWRCH10A	1	
DC60-40140A	BOLT-HEX	WEIGHT-UL/SM10C,HEX,M8,L147,-,ZPC2(YEL),-,-	2	WEIGHT/U
DC60-40141A	BOLT-HEX	SM10C/DAMPER,HEX,M8,L66,-,ZPC2(YEL),-,-	2	DAMPER+TUB
DC60-40005A	BOLT-HEX	M4,L60,ZPC2(YEL),SS41C,-,-,-,-	1	
DC60-50148B	NUT-HEX	SM20C(NYLON),M12,-,-,ZPC3(YEL),-,HEX,P-PROJECT	1	PULLEY
DC60-50153A	NUT-HEX	3,M8,FZY,FE,-	1	FILTER-EMI
DC60-10019B	SCREW MACHINE	RH,+,M5,L12,STS430,SEAL-LOCK	2	HINGE+FRAME
DC60-10019B	SCREW MACHINE	RH,+,M5,L12,STS430,SEAL-LOCK	2	HOLD-GLASS+HINGE
DC60-10023A	SCREW MACHINE	TH,+,D4,L10,ZPC2,TAP-TITE	1	B/K-PRESSURE+FRAME
DC60-10023A	SCREW MACHINE	TH,+,D4,L10,ZPC2,TAP-TITE	1	B/SPRING + EARTH
DC60-20054D	SCREW TAPPING	TH,+,1,D4,L12,STS304,-	2	S/W-DOOR+FRAME
DC60-20054D	SCREW TAPPING	TH,+,1,D4,L12,STS304,-	2	COVER-DOOR
DC60-20140A	SCREW TAPPING	FH,+,1,D4,L20,WHT,HSWR1018	2	LEVER-DOOR
DC60-20030A	SCREW TAPPING	FH,-,1,D4,L12,NTR,-	1	C-PANEL+FRAME
DC60-20049A	SCREW TAPPING	SCM430,2,PH,+,D4,L12,-,-,-,-	5	PCB+C-PANEL
DC60-20054C	SCREW TAPPING	TH,+,1,D4,L12,FE FZY,-	1	CLAMP-HOSE+FRAME
DC60-20054D	SCREW TAPPING	TH,+,1,D4,L12,STS304,-	2	PUMP+FRAME
DC60-20060A	SCREW TAPPING	TH,+,2,D4,L8,FE,FZY	1	E/W(SUB)+FRAME(F)
DC60-20060A	SCREW TAPPING	TH,+,2,D4,L8,FE,FZY	8	FRAME+FRAME-FRONT
DC60-20060A	SCREW TAPPING	TH,+,2,D4,L8,FE,FZY	4	FRAME+PLATE-UPPER
DC60-20138A	SCREW TAPPING	PH,TORX,1,D4,L12,ZPC2,-	1	P/CORD
DC60-20060A	SCREW TAPPING	TH,+,2,D4,L8,FE,FZY	1	
DC60-20054D	SCREW TAPPING	TH,+,1,D4,L12,STS304,-	1	VANE-CHECK
DC60-20049A	SCREW TAPPING	SCM430,2,PH,+,D4,L12,-,-,-,-	1	HOUSING-DRAWER
DC60-20054C	SCREW TAPPING	TH,+,1,D4,L12,FE FZY,-	1	HOUSING-DRAWER
DC60-20136A	SCREW TAPPING	TH,+,2,D5,20,ZPC3,COVER-TOP	2	FRAME(TOP)
DC60-20050C	SCREW TAPPING	-,-,2S,D3,L8,FZY,-	2	B/K+PRE-S/W
DC60-20054A	SCREW TAPPING	TH,+,1,D4,L10,ZPC3,-	2	B/K-C.T
DC60-20054C	SCREW TAPPING	TH,+,1,D4,L12,FE FZY,-	1	
6001-000947	SCREW-MACHINE	TH,+,M4,L10,NTR/WHT,STS304	2	W/V+FRAME
DE60-10022A	SCREW-PH	PH,+,M3,L8,MSWR10,FEFZY,-,-,-,-	2	
DC60-30015B	SCREW-SPECIAL	FLANGE,PH,+,D4,L12,ZnFe(YEL),-	2	SHUTTER
DC60-30015B	SCREW-SPECIAL	FLANGE,PH,+,D4,L12,ZnFe(YEL),-	1	TUB+HOSE-PRESS
DC60-30015B	SCREW-SPECIAL	FLANGE,PH,+,D4,L12,ZnFe(YEL),-	2	C/TOP+FRAME
DE60-10012A	SCREW-TAP TITE	TH,+,3,M4,L10,SWR10,ZPC2,TOOTH	1	H/BEARING+E/W
DE60-10012A	SCREW-TAP TITE	TH,+,3,M4,L10,SWR10,ZPC2,TOOTH	1	P/CORD(E/W)
6002-000161	SCREW-TAPPING	PH,+,2,M4,L8,ZPC(YEL),SM20C	2	DECORATION
6002-000444	SCREW-TAPPING	TH,+,2S,M4,L14,NTR,STS304	2	B/K-HEATER
6002-000445	SCREW-TAPPING	TH,+,2S,M4,L18,NTR,STS304	2	PANEL+FRM+HOUSING-D
DC60-60040A	WASHER-NYLON	-,ID10.5,OD32,T2,-,PBSP-1/2H	1	FIXER
DC60-60025C	WASHER-PLAIN	PVC,ID5.5,OD10,T1,-,-,WHT(SWF-P12)	2	HINGE
DC60-60044B	WASHER-PLAIN	SBC,ID8.4,OD30,T3,-,-,-	1	FIXER
DC60-60044A	WASHER-PLAIN	-,ID10.5,OD30,T3,-,STS304	2	DAMPER+TUB
DC60-60044B	WASHER-PLAIN	SBC,ID8.4,OD30,T3,-,-,-	1	MOTOR
DC60-60044B	WASHER-PLAIN	SBC,ID8.4,OD30,T3,-,-,-	2	WEIGHT/L
DC60-60044B	WASHER-PLAIN	SBC,ID8.4,OD30,T3,-,-,-	2	WEIGHT/U