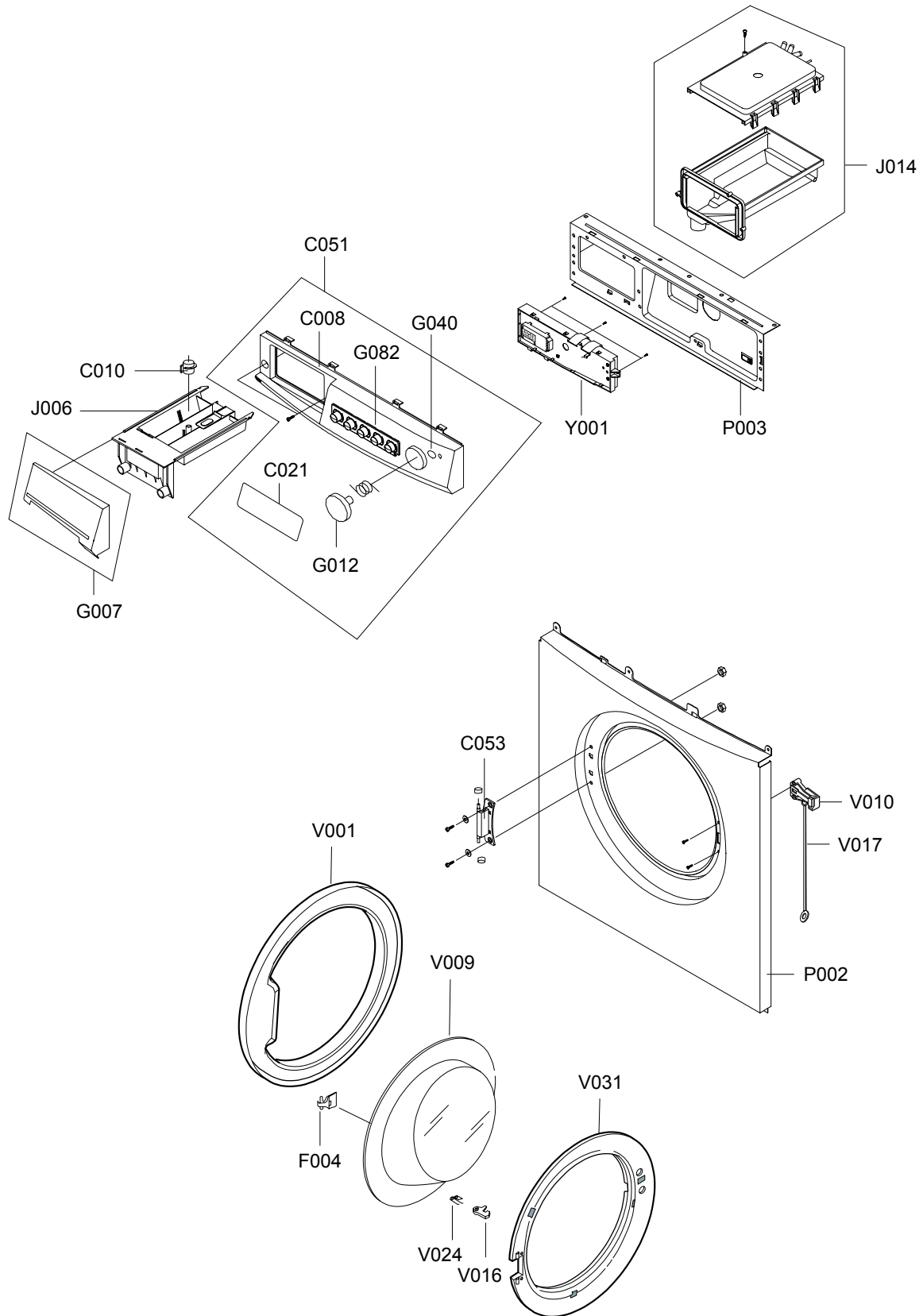
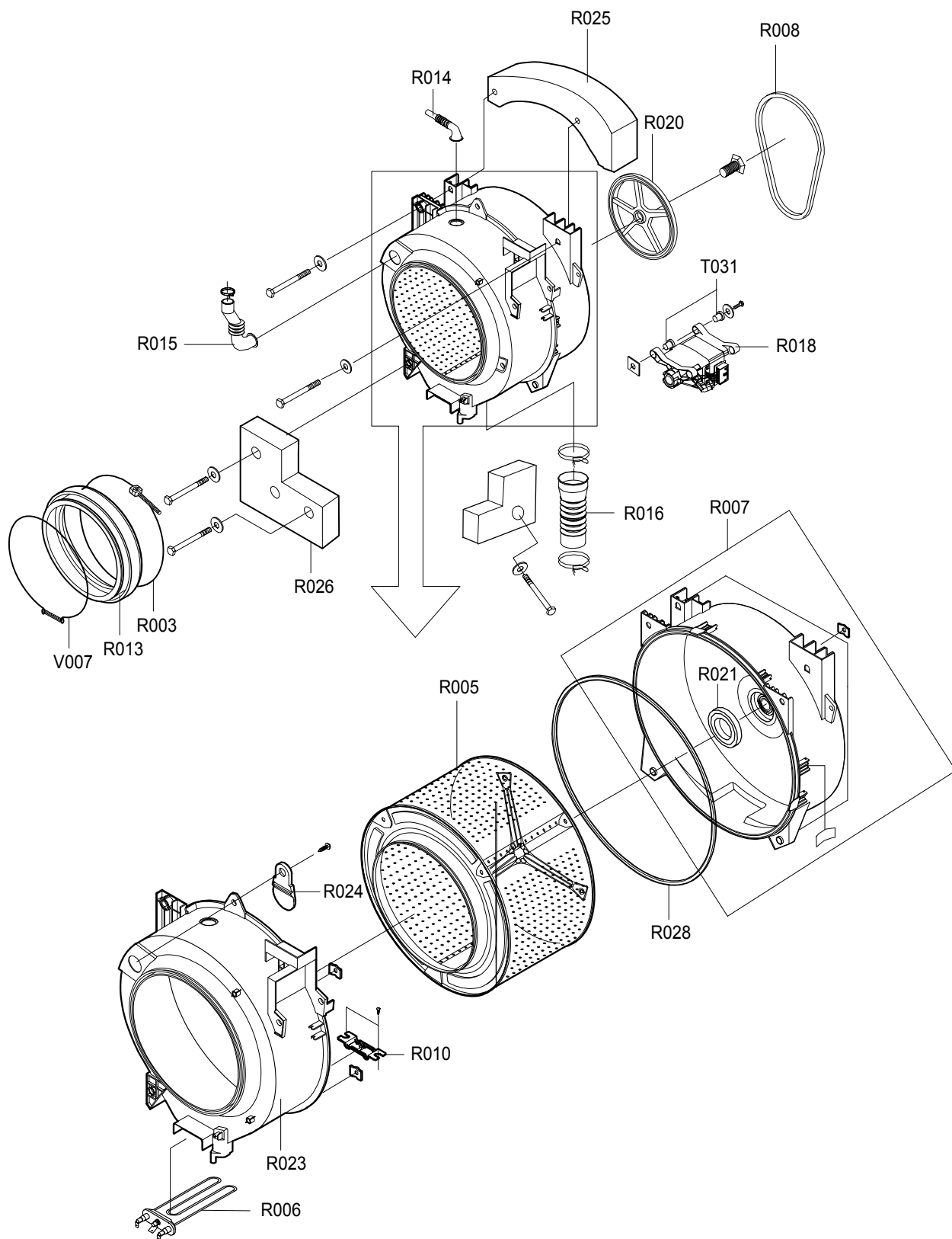
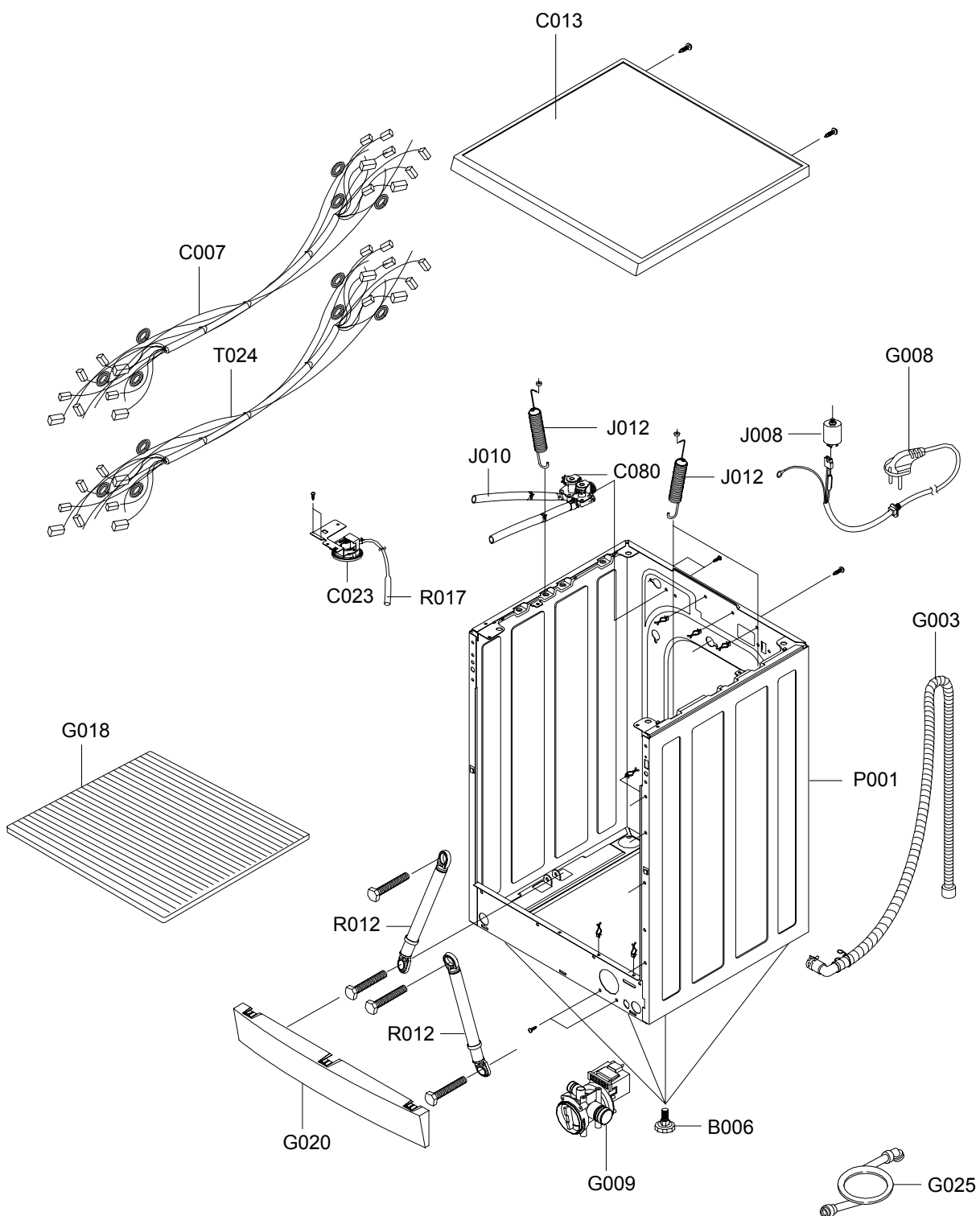

15. TOP(FRONT) - Exploded View



15. TUB - Exploded View



15. CASE - Exploded View



15. PARTS LIST

NO.	CODE NO.	DESCRIPTION	SPECIFICATION	QTY	REMARK
B006	DC97-02079D	ASSY-LEG	SBP2,SD455,SD405,FLANG TYPE/25MM/CHIN	4	
C007	DC96-00625A	ASSY-M.WIRE HARNESS	SD405,ROLD-DOOR	1	
C008	DC64-00814A	PANEL-CONTROL	P/R/F/SLIM,ABS,-,-,-,SNOW-WHT,-	1	R1043GW
C008	DC64-00814C	PANEL-CONTROL	R843GW/YLP,ABS,-,-,-,WHT,RUSSIA	1	R843GW
C010	DC61-10316B	CAP-RINSE	SEW-740DR,PP(TB-52),-,-,-,WHT,-,	1	
C013	DC63-00455A	COVER-TOP	SD455-PJT,ABS,-,-,-,SNOW/WHT,-	1	
C021	DC64-00864A	INLAY-PANEL	R(P/F/S)1043,PC,T0.5,-,-,WHT,RUSSIAN/1000rpm	1	R1043GW
C021	DC64-00864B	INLAY-PANEL	R(P/F/S)843,PC,T0.5,-,-,WHT,RUSSIAN/800rpm	1	R843GW
C023	DC32-30006P	SENSOR PRESSURE	DN-S14(P1291),TERMINAL-TYPE(DC5V)	1	
C051	DC97-07427A	ASSY-PANEL CONTROL	MID-PJT/R1043,WHT/RUSSIA	1	R1043GW
C051	DC97-07427B	ASSY-PANEL CONTROL	MID-PJT/R843,WHT/RUSSIA	1	R843GW
C053	DC61-00889A	HINGE-DOOR	HAUZEN(DOM),ZND,-,-,-,180 DEG	1	
C080	DC62-00024F	VALVE-WATER	B1215J,NYLON66/250TRMN,-,-,NTR,2-WAY(220~240V50/60HZ)ELBI	1	
F004	DC64-00646A	HANDLE-DOOR	SD455-PJT,POM,-,-,-,WHT,ROUND-DOOR(ROLD-S/W)	1	
G003	DC97-00139E	ASSY-HOSE DRAIN(O)	SB-PJT,PP/L1770/CHINA	1	
G007	DC97-05469Y	ASSY-PANEL FRONT	MID-PJT/R(F/S),WHT/RUSSIA	1	
G008	DC96-00146A	ASSY POWER CORD	P1291~P6091,250V/16A(PV)UCP2	1	
G009	DC96-00149A	ASSY-PUMP DRAIN	P8091/P6091,220~240V/50HZ	1	
G013	DC64-00811A	BUTTON-PUSH(S)	P/R/F/SLIM,ABS,-,-,SNOW-WHT,START	1	
G013	DC64-00812A	BUTTON-PUSH(P)	P/R/F/SLIM,ABS,-,-,SNOW-WHT,POWER	1	
G013	DC64-00813A	BUTTON-PUSH(F)	P/R/F/SLIM,ABS,-,-,SNOW-WHT,FUNCTION	1	
G018	DC64-00693A	SHUTTER	SD455,PP,4,-,-,WHT,45CM SLIM	1	
G020	DC61-10672A	COVER-FRONT(L)	SWF-P12,PP(BJ-730),-,-,-,WHT(W9737),-	1	
G025	DC62-10289B	HOSE-WATER(C)	WIP4013SRW,PVC+NYLON,ID10.2,-,-,L1500,GRY,COLD/H19/REFLEX	1	
J006	DC61-00366A	BODY-DRAWER	SL-600,TB-53,-,-,-,-	1	
J008	DC29-00006B	FILTER-EMI	CDFC-2712R,SLIM,250V,12A,PI38.2*H60,50/60Hz,-,-,-,CEC	1	
J010	DC67-00051B	HOSE-DRAWER	Q1636GW/XEU,EPDM,ID9.0,OD14.5,-,-,BLK,-	0.42	
J012	DC61-00708A	SPRING-HANGER	F-PJT,HSWR,CD2.8,-,-,L170,-,-,-,D25	2	
J012	DC61-00708B	SPRING-HANGER	F-PJT,HSWR,CD2.8,-,-,L181,-,-,-,D25	2	
J014	DC97-06572C	ASSY-HOUSING DRAWER	SD-PJT(R),2WAY/COLD/VALVE	1	
J014	DC97-02132C	ASSY-HOUSING DRAWER	S1093~S6093/2-WAY,SLIM(U.M/L-ASSY)	1	
P001	DC99-00415A	ASSY-PAINT	SD455/WHT,COLD	1	
P002	DC97-00702A	ASSY-FRAME FRONT	P6091,ROUND-TYPE	1	
P003	DC97-00417A	ASSY-FRAME PLATE(U)	SWF-P12,FRAME-PLATE(U)	1	
R003	DC91-12077A	ASSY-CLAMP DIAPHRAGM	SWF-P12,TUB	1	
R005	DC97-01463L	ASSY-DRUM	R1043~R843,1000RPM	1	
R006	DC47-00006B	HEATER	KAWAI,P-SLIM MODEL,SUS316L,-,-,230V,-,-,-,1900W	1	
R007	DC97-00214T	ASSY-TUB BACK	R1043~R843,MID-PJT/5.2Kg	1	
R008	6602-001072	BELT-TIMING GEAR	POLYURETHAN,L1270,J5,MEGADYNE,NTR	1	
R010	DC61-00856A	BRACKET-HEATER	SB-PJT,STS430,-,-,-,-	1	
R012	DC66-00320A	DAMPER-SHOCK	SB-PJT,ABS,-,-,-,WHT,AKS-DAMPER/50N	2	
R013	DC61-20219E	DOOR-DIAPHRAGM	SEW-HW107,EPDM,-,-,-,GRY,HAUZEN	1	

15. PARTS LIST

NO.	CODE NO.	DESCRIPTION	SPECIFICATION	QTY	REMARK
R014	DC62-10303A	HOSE-AIR	-,EPDM, ID24,-,-,L130,BLK,SWF-P12/OD47	1	
R015	DC62-10305A	HOSE-DRAWER TUB	-,EPDM, ID35,-,-,L158,BLK,SWF-P12/OD40	1	
R016	DC62-00121A	HOSE-FILTER TUB	S1005J,EPDM, ID65,-,-,-,SLIM-PJT	1	
R017	DC67-00107A	HOSE-PRESSURE	S821,PE-BLOW, ID13.2,OD6.2,-,-,NTR,-	1	
R018	DC31-00002E	MOTOR-DRUM	HXGN2I.02,SFW-P8,-,50Hz,-,-,LOW-RPM,-,220~240V,-,-,WELLING (M&M) 39mm	1	
R020	DC66-00060B	PULLEY	R1043,FRPP,-,-,-,-,MID-PJT	1	
R021	DC62-00160A	SEAL-OIL	TS0-PJT,NBR(SD35),BLK,-,-,-,JINYANG	1	
R023	DC61-00365B	TUB-FRONT	SL-600,FRPP(GR15%)SAMBAK,-,-,-,-	1	
R024	DC62-20311A	VANE-CHECK	SWF-P12,EPDM,-,-,BLK,-,	1	
R025	DC67-00042B	WEIGHT-BALANCER	F1215,GC-150(CHINA),-,-,-,40CM SLIM/LOWER/7KG	1	
R026	DC67-00050B	WEIGHT-BALANCER	F-1215,GC-150,-,-,-,F-PJT(R)1.4KG(CHINA)	1	
R028	DC62-40183A	PACKING-TUB	SWF-P12,EPDM,-,-,-,-,BLK,-,-	1	
T024	DC96-00626A	ASSY-WIRE HARNESS	SD405,SUB(HIGH)	1	
T031	DC61-00041A	CUSHION-MOTOR	SWF-6V,BUTYL,-,-,-,ID16/OD20,	1	
V001	DC63-00391A	COVER-DOOR	HAUZEN(DOM),ABS,-,-,-,-,WHT,MANUAL-DOOR	1	
V007	DC91-12078A	ASSY-WIRE DIAPHRAGM	SWF-P12,FRAME-FRONT	1	
V009	DC61-00013A	DOOR-GLASS	GLASS,NTR,SWF-P12	1	
V010	DC64-00653A	DOOR-LOCK S/W	DA,PA6-G,-,H82,W50,-,BLK,250V/16A/ROLD	1	
V016	DC66-00358A	LEVER-DOOR	SEW-HW105,ZNDC,-,-,-,-,CR-COAT,ROLD&EMZ-DOOR S/W	1	
V017	DC66-00333A	LEVER	Q1636GW/XEU,PE,-,-,-,-,TS-2 PJT	1	
V024	DC61-00890A	SPRING-HANDLE	HAUZEN(DOM),STS304,CD1.0,-,OD8,L30,-,-,-,-,HANDLE	1	
V031	DC61-00888A	HOLDER-GLASS	HAUZEN,ABS,-,-,-,WHT,AUTO+MANUAL	1	
Y001	MFS-R1043-00	ASSY PCB PARTS	MFS-R1043-00	1	R1043GW
Y001	MFS-R843-00	ASSY PCB PARTS	MFS-R843-00	1	R843GW

15. Screw/Bolt List

CODE NO.	DESCRIPTION	SPECIFICATION	QTY	REMARK
6001-001773	SCREW-MACHINE	TH,+,M5,L12,	2	HINGE+FRAME
6002-001006	SCREW-TAPPING	TH,+,2S,M4,L12,-,STS410	2	DOOR-S/W
6002-001006	SCREW-TAPPING	TH,+,2S,M4,L12,-,STS410	11	-
DD60-50018A	NUT-FLANGE	-,M5XP0.8,FZY,MSWR10,-	2	HINGE+FRAME
6002-000445	SCREW-TAPPING	TH,+,2S,M4,L18,NTR,STS304	3	PANEL+FRM+HOUSING-D
6002-001327	SCREW-TAPPING	PWH,+,1,M4,L12,NI PLT	2	C/TOP+FRAME
6003-000226	SCREW-TAPTITE	TH,+,S,M4,L8,ZPC(YEL),SWRCH18A	2	W/V+FRAME
6006-001170	SCREW-ASSY TAPP	WS,TH,+,M4,L10,ZPC(YEL)	1	B/K-PRESSURE+FRAME
6006-001170	SCREW-ASSY TAPP	WS,TH,+,M4,L10,ZPC(YEL)	1	P/CORD(E/W)
6009-001342	SCREW-SPECIAL	TH,+,M5,L11,ZPC(YEL)	2	FRAME(TOP)
6002-000630	SCREW-TAPPING	PH,+,2S,M3,L8,ZPC(YEL),SWRCH18	2	B/K+PRE-S/W
6002-000213	SCREW-TAPPING	TH,+,1,M4,L12,ZPC(YEL),SWRCH18	3	C-PANEL+PCB
6002-000525	SCREW-TAPPING	FH,+,1,M4,L12,PASS,STS304	1	C-PANEL+FRAME
6002-001006	SCREW-TAPPING	TH,+,2S,M4,L12,-,STS410	2	PUMP+FRAME
6006-001170	SCREW-ASSY TAPP	WS,TH,+,M4,L10,ZPC(YEL)	1	E/W(SUB)+FRAME(F)
6006-001172	SCREW-ASSY TAPP	WE,TH,+,M4,L12,ZPC(YEL)	7	FRAME+FRAME FRONT
6006-001172	SCREW-ASSY TAPP	WE,TH,+,M4,L12,ZPC(YEL)	4	FRAME+PLATE UPPER
6009-001343	SCREW-SPECIAL	PH,TORX,,M4,L10,PASS	1	P/CORD
DC60-40144A	BOLT-HEX	M10,L41,ZPC2(YEL),SM10C/DAMPER	2	DAMPER+FRAME
DC60-40146A	BOLT-SPANER	-,OD36,T2.5,L52,FE,FZY,-,P12	1	ACCESSORY
6011-001421	BOLT-FLANGE	M7,L61(29.4),ZPC(YEL),SWRCH18A	1	-
DC60-60040A	WASHER-NYLON	-,ID10.5,OD32,T2,-,PBSP-1/2H	1	FIXER
DC60-60044B	WASHER-PLAIN	SBC,ID8.4,OD30,T3,-,-,-	1	FIXER
6002-000630	SCREW-TAPPING	PH,+,2S,M3,L8,ZPC(YEL),SWRCH18	2	-
6011-001421	BOLT-FLANGE	M7,L61(29.4),ZPC(YEL),SWRCH18A	1	WEIGHT(L)
6011-001447	BOLT-HEX	M8,L123(25),ZPC(YEL),SWRCH18A,WP,NYLOCK	1	WEIGHT(U)
6011-001448	BOLT-HEX	M8,L170(25),ZPC(YEL),SWRCH18A,WP,NYLOCK	1	WEIGHT(U)
6011-001499	BOLT-HEX	M8,L104.5(50),ZPC(YEL),SWCH10AK,2BODY,DAMPER	2	TUB+DAMPER
6602-001072	BELT-TIMING GEAR	POLYURETHAN,L1270,J5,MEGADYNE,NTR	1	-
DC60-60044A	WASHER-PLAIN	-,ID10.5,OD30,T3,-,STS304	2	DAMPER+TUB
DC61-00201A	BRACKET-NUT	SBHG-R,P1291,T3,-,-,-,NO-PAINT/MOTOR	1	MOTOR
6003-000226	SCREW-TAPTITE	TH,+,S,M4,L8,ZPC(YEL),SWRCH18A	1	EARTH
DC61-40348B	BRACKET-NUT	SBHG-R,P1291,T3,-,-,-,NO-PAINT	2	-
6011-001492	BOLT-FLANGE	M8,L25,PASS,STS304,NYLOCK,P1.25	3	-
6002-000213	SCREW-TAPPING	TH,+,1,M4,L12,ZPC(YEL),SWRCH18	1	TUB-FRONT+PRESSURE
6002-000444	SCREW-TAPPING	TH,+,2S,M4,L14,NTR,STS304	2	B/K-HEATER
6002-000471	SCREW-TAPPING	TH,+,1,M4,L12,PASS,STS304,-	1	VANE-CHECK
DC61-00201A	BRACKET-NUT	SBHG-R,P1291,T3,-,-,-,NO-PAINT/MOTOR	1	-
DC61-40348B	BRACKET-NUT	SBHG-R,P1291,T3,-,-,-,NO-PAINT	2	-
DC60-40005A	BOLT-HEX	M4,L60,ZPC2(YEL),SS41C,-,-,-,-	1	-
DC60-50010A	NUT-DIAPHRAGM	EGI,M4,-,-,2.5TX20X8	1	-
DC60-50010B	NUT-DIAPHRAGM	EGI,M4.2,-,-,2.5TX20X8	1	-
DC97-02412A	ASSY-BOLT	SWF-P12,MOTOR, M8*L62	1	MOTOR
DC97-02412A	ASSY-BOLT	SWF-P12,MOTOR, M8*L62	1	WEIGHT BALANCE(R)
DC97-02412A	ASSY-BOLT	SWF-P12,MOTOR, M8*L62	1	WEIGHT-BALANCER(L)
DC97-06080A	ASSY-BOLT	SEW-3HR107,BOLT+WASHER	1	PULLEY+SHAFT



This Service Manual is a property of Samsung Electronics Co.,Ltd.
Any unauthorized use of Manual can be punished under applicable
International and/or domestic law.

©Samsung Electronics Co., Ltd. MARCH 2004
Printed in Korea
Code No. : DC68-02101A