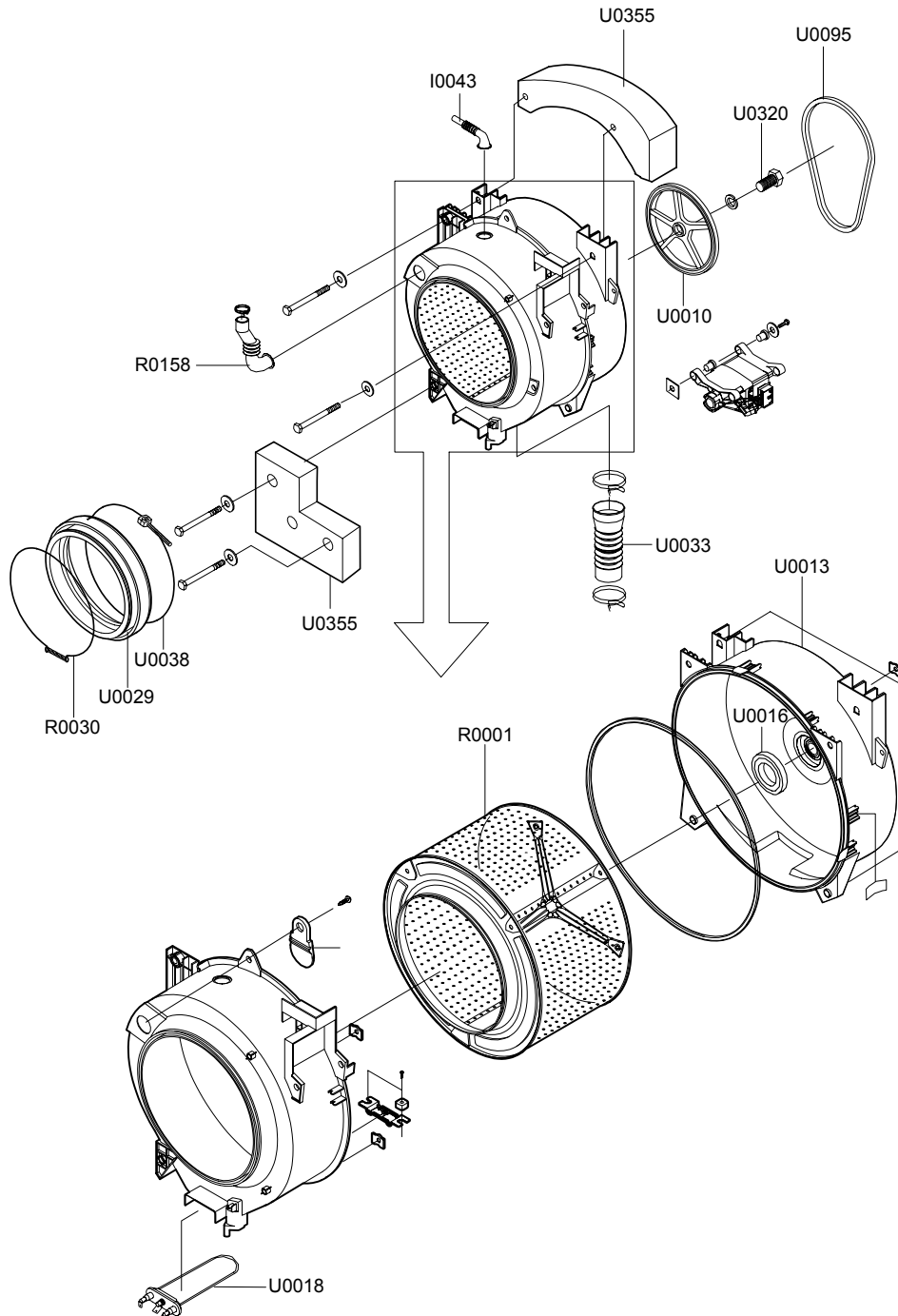
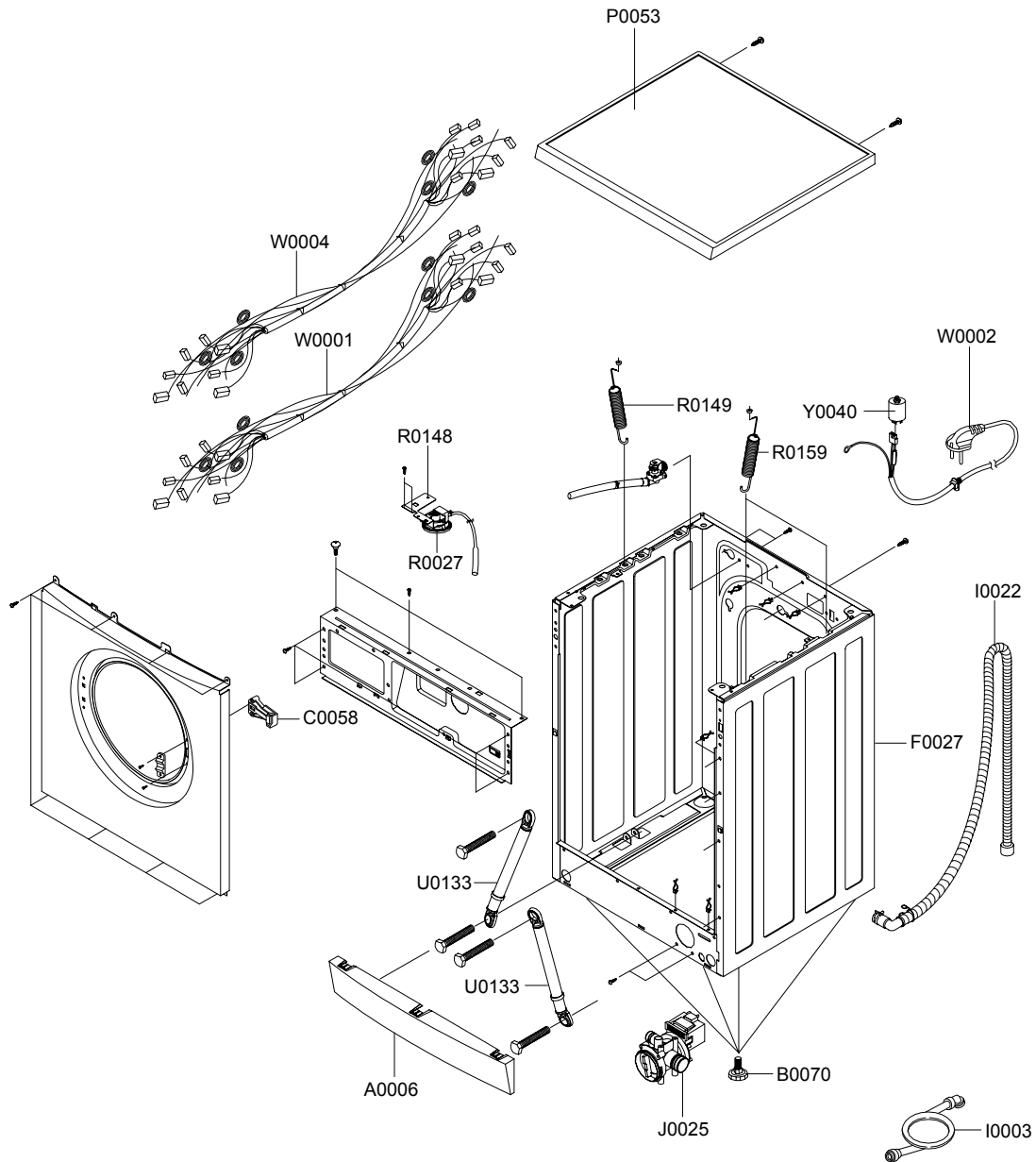


TOP(FRONT)



(TUB)



(CASE)

Parts List

NO.	CODE NO.	DESCRIPTION	SPECIFICATION	Q'TY	SA/SNA
A0006	DC61-10672A	COVER-FRONT(L)	SWF-P12,PP(BJ-730),-,,-,	1	SA
A0025	DC97-02106A	ASSY-FIXER TUB	S1005J,SLIM-PJT	4	SA
A0034	DC60-40146A	BOLT-SPANER	-,,-,OD36,T2.5,L52,FE,FZY,-,P	1	SA
A0043	DC61-10688A	CAP-FIXER	SWF-P12,PP(TB53),-,,-,WHT,-,	6	SA
A0043	DC67-00147A	CAP-FIXER	SILM,PP,-,-,-,WHITE,-	1	SA
A0095	DC64-00650P	INLAY-DETERGENT	R1052GWS/YLW,PET,T0.188,	1	SA
A0114	DC64-00693A	SHUTTER	SD455,PP,4,-,-,WHT,45CM SLIM	1	SA
A0115	DC61-60180A	SLEEVE-PLUG	NYLON#6,SEW-720DR,-,-,NTR	4	SA
A0197	DC69-00728A	CUSHION-TOP	SD405/SD455-PJT,PS-FOAM,-,-,	1	SA
A0204	DA02-10149A	TAPE ETC-OPP	-,,-,W60,-,-,-,REF.W/M	1	SA
A0242	DC64-00651N	INLAY-PANEL	R1052GWS/YLW,PET,T0.188,-,-,	1	SA
A0328	DC64-00648A	PANEL-DRAWER	SBP-2,HIPS,-,-,-,WHT,45cm	1	SA
A0359	DA69-90141A	BAND-PP	GB-SPEC,PP,T1.0,W13,-,-,W14.5,RE	7.5	SA
A0362	DC61-40081A	HOLDER-WIRE	DAWH-2NC,NYLON66,-,-,-,NTR	6	SA
B0070	DC97-02079D	ASSY-LEG	SBP2,SD455,SD405,FLANG TYPE/25M	4	SA
C0058	DC64-00653A	DOOR-LOCK S/W	DA,PA6-G,-,-,H82,W50,-,BLK,2	1	SA
C0082	DC64-00647A	PANEL-CONTROL	SBP-2,HIPS,-,-,-,WHT,40c	1	SA
C0103	DC66-00355A	LEVER-DOOR	SD455-PJT,POM,-,-,-,WHT,EMZ	1	SA
C0115	MFS-R1031-00	ASSY PCB PARTS	MF-R1031-00	1	SA
D0010	DC97-04903A	ASSY-COVER DOOR	SB-PJT,COVER-DOOR+DECO-L	1	SA
D0045	DC97-04750A	ASSY-HOLDER GLASS	SB-PJT,HOLDER+HINGE	1	SA
D0061	DC64-00920A	DOOR-GLASS	R831,GLASS,-,-,-,NTR,CKD /C	1	SA
D0075	DC64-00646A	HANDLE-DOOR	SD455-PJT,POM,-,-,-,WHT,RO	1	SA
D0109	DC61-60519A	GUIDE-BAR	SWF-P12,SHV-745CC1(SSEC),-,,-,-	1	SA
D0109	DC61-60519A	GUIDE-BAR	SWF-P12,SHV-745CC1(SSEC),-,,-,-	2	SA
F0027	DC99-00516A	ASSY-PAINT FRAME	R1233,SD405/WHT	1	SA
F0064	DC97-00702D	ASSY-FRAME FRONT	SB-PJT/WHT,ROUND-TYPE	1	SA
F0065	DC97-05134B	ASSY-FRAME PLATE(U)	WF-R1053/XSC,R-PJT/S	1	SA
I0003	DC62-10289C	HOSE-WATER(C)	RUSSIA,PVC+NYLON,ID10.3,-,	1	SA
I0022	DC97-00139E	ASSY-HOSE DRAIN(O)	SB-PJT,PP/L1770/CHINA	1	SA
I0030	DC62-10278A	HOSE-HANGER	-,PP(JS20),-,,-,-,NTR,-	1	SA
I0043	DC62-10303A	HOSE-AIR	-,EPDM,ID24,-,-,L130,BLK,SWF-P1	1	SA
J0013	DC96-00859A	ASSY-PUMP DRAIN	R1245A/XSC,220V~240V/50H	1	SA
J0019	DC61-10652C	CASE-PUMP	PP(5113MF6),SWT50B1P,-,-,-,GRY	1	SA
J0024	DC62-00187A	SEAL-WASHER	SW80ASPIW/YMI,NBR,BLK,-,-,-,	1	SA
J0025	DC31-00056A	PUMP-DRAIN	-,220~240V,50Hz,-,30W/3000RPM	1	SA
P0036	DC61-10316B	CAP-RINSE	SEW-740DR,PP(TB-52),-,,-,BLUE	1	SA

Parts List

NO.	CODE NO.	DESCRIPTION	SPECIFICATION	Q'TY	SA/SNA
P0053	DC63-00455A	COVER-TOP	SD455-PJT,ABS,-,-,-,-,SNOW/W	1	SA
P0082	DC97-05973A	ASSY-HOSE PRESSURE	5.2kg/SD455/SD405,PVC	1	SA
R0001	DC97-01463L	ASSY-DRUM	R1043~R843,1000RPM	1	SA
R0017	DC97-02051E	ASSY-DRUM LIFTER	SD405/455-PJT,LIFTER+FI	3	SA
R0019	DC97-09221F	ASSY-HOUSING DRAWER	WF-R1256/YLP,TROIKA	1	SA
R0027	DC97-00731A	ASSY-SENSOR PRESSURE	P1091,S-PRE+BRACKET+	1	SA
R0030	DC91-12078A	ASSY-WIRE DIAPHRAGM	SWF-P12,FRAME-FRONT	1	SA
R0036	DC61-00366A	BODY-DRAWER	SL-600,TB-53,-,-,-,-,-	1	SA
R0047	DC67-00114A	CAP-FILTER	SW80ASPIW/YMI,P,P,-,-,-,BLK,-	1	SA
R0065	DC63-00450A	COVER-FRONT	S821,PP,T1.8,-,-,-,-,WHT,GUI	1	SA
R0106	DD60-50018A	NUT-FLANGE	-,M5XP0.8,FZY,MSWR10,-	2	SA
R0147	6011-001421	BOLT-FLANGE	M7,L61(29.4),ZPC(YEL),SWRCH1	4	SA
R0148	DC61-40345A	BRACKET-PRESSURE	GI or GA,SWK-P12,T1.0,-	1	SA
R0158	DC62-10305A	HOSE-DRAWER TUB	-,EPDM,ID35,-,-,L158,BLK	1	SA
R0159	DC61-01279A	SPRING-HANGER	5.2KG(F631/F831),HSWR,CD2.	2	SA
R0159	DC61-01280A	SPRING-HANGER	5.2KG(F631/F831),HSWR,CD2.	2	SA
U0003	DC60-60044A	WASHER-PLAIN	-,ID10.5,OD30,T3,-,STS304	2	SA
U0003	DC60-60044B	WASHER-PLAIN	SBC,ID8.4,OD30,T3,-,-,-	4	SA
U0005	DC60-60040A	WASHER-NYLON	-,ID10.5,OD32,T2,-,PBSP-1/2	4	SA
U0010	DC66-10176D	PULLEY	SB-PJT,ALDC,-,-,ID12.5,-,-,CENTER	1	SA
U0013	DC97-00214T	ASSY-TUB BACK	R1043~R843,MID-PJT/5.2Kg	1	SA
U0015	DC31-00002E	MOTOR-DRUM	HXGN2I.02,SFW-P8,-,50Hz,-,-,L	1	SA
U0016	DC62-00007A	SEAL-OIL	-,NBR(SD25),BLK,-,-,-,P6091/NBU	1	SA
U0018	DC47-00006B	HEATER	KAWAI,P-SLIM MODEL,SUS316L,-,-,23	1	SA
U0023	DC61-00201A	BRACKET-NUT	SBHG-R,P1291,T3,-,-,-,NO-PAI	1	SA
U0023	DC61-00201A	BRACKET-NUT	SBHG-R,P1291,T3,-,-,-,NO-PAI	1	SA
U0026	DC97-02138E	ASSY-TUB FRONT	SD455/5.2KG(FRONT),DIAPHR	1	SA
U0029	DC61-20219E	DOOR-DIAPHRAGM	SEW-HW107,EPDM,-,-,-,-,GR	1	SA
U0033	DC62-00121A	HOSE-FILTER TUB	S1005J,EPDM,ID65,-,-,-,-	1	SA
U0038	DC91-12077A	ASSY-CLAMP DIAPHRAGM	SWF-P12,TUB	1	SA
U0082	DC62-00116A	FILTER-NET	P1205J,EPDM+STS304,-,OD25,ID9	1	SA
U0095	6602-001072	BELT-TIMING GEAR	POLYURETHAN,L1270,J5,ME	1	SA
U0133	DC66-00320A	DAMPER-SHOCK	SB-PJT,ABS,-,-,-,-,WHT,AKS-	2	SA
U0307	DC61-00041A	CUSHION-MOTOR	SWF-6V,BUTYL,-,-,-,ID16/OD	1	SA
U0320	6011-001447	BOLT-HEX	M8,L123(25),ZPC(YEL),SWRCH18A,W	1	SA
U0320	6011-001448	BOLT-HEX	M8,L170(25),ZPC(YEL),SWRCH18A,W	1	SA
U0320	6011-001499	BOLT-HEX	M8,L104.5(50),ZPC(YEL),SWCH10AK	2	SA

Parts List

NO.	CODE NO.	DESCRIPTION	SPECIFICATION	Q'TY	SA/SNA
U0320	DC60-40144A	BOLT-HEX	M10,L41,ZPC2(YEL),SM10C/DAMPER	2	SA
U0353	DC61-60359E	CLAMPER HOSE	F1235AS/F1035AS,-,-,ID7.8,Y	1	SA
U0353	DC61-60497A	CLAMPER HOSE	SWF-P12,HSWR,-,ID70/OD75.8,	1	SA
U0353	DC65-00008A	CLAMPER HOSE	SEW-DR605,SK5,-,-,YEL,ID14.	1	SA
U0353	DC61-60359E	CLAMPER HOSE	F1235AS/F1035AS,-,-,ID7.8,Y	1	SA
U0353	DC61-00118A	CLAMPER HOSE	P1291,LYLON6/6,ID27,OD30,-,	1	SA
U0353	DC61-00133A	CLAMPER HOSE	P1291,PP(BJ-730),ID24.5,OD2	1	SA
U0354	DC97-07716A	ASSY-SEMI TUB DRUM	R833GW/YLP,SSEC	1	SA
U0355	DC67-00050B	WEIGHT-BALANCER	F-1215,GC-150,-,-,-,-,F-	1	SA
U0355	DC67-00143A	WEIGHT-BALANCER	5.2KG,CONCRETE,-,-,-,-,U	1	SA
U0355	DC67-00042C	WEIGHT-BALANCER	F,R MODEL ETC.,Concrete,	1	SA
U0356	DC65-10001A	CABLE TIE	DA-140,-,-,-,-,-	6	SA
U0359	DC62-00066A	FILTER-CASE	-,PP,-,-,-,-,BLK/SW90V2	1	SA
U0360	DC61-60499B	CLIP-TUB	HSWR,P1291,-,NO/PAINT,	6	SA
U0360	DC61-60520A	CLIP-TUB	SK5,SWF-P12,-,PLATE-TYPE,	2	SA
U0370	DC66-10003A	WIRE-VINYL	SEW-100 JL,PVC,T2.0,-,-	0.15	SA
U0370	DC66-10003A	WIRE-VINYL	SEW-100 JL,PVC,T2.0,-,-	0.56	SA
W0001	DC96-00626A	ASSY-WIRE HARNESS	SD405,SUB(HIGH)	1	SA
W0002	DC96-00146A	asSY POWER CORD	UCP2,-,250V/16A,-,-,-,-,	1	SA
W0004	DC96-00625A	ASSY-M.WIRE HARNESS	SD405,ROLD-DOOR	1	SA
Y0040	DC29-00006A	FILTER-EMI	DFC-2712R,P/PV/SLIM,250V,12A,	1	SA
Y0116	DC41-00001A	PCB-MAIN	R1031,FR-1,NL1,-,T1.6,237*197,-	1	SA
Z0006	DC97-02412H	ASSY-BOLT	Q1657,-	1	SA
Z0006	DC97-02412A	ASSY-BOLT	SWF-P12,MOTOR, M8*L62	2	SA
Z0006	DC97-06159B	ASSY-BOLT	F/R/C-,WEIGHT BALANCE	1	SA



**This Service Manual is a property of Samsung Electronics Co.,Ltd.
Any unauthorized use of Manual can be punished under applicable
International and/or domestic law.**

© Samsung Electronics Co., Ltd. June 2005
Printed in Korea