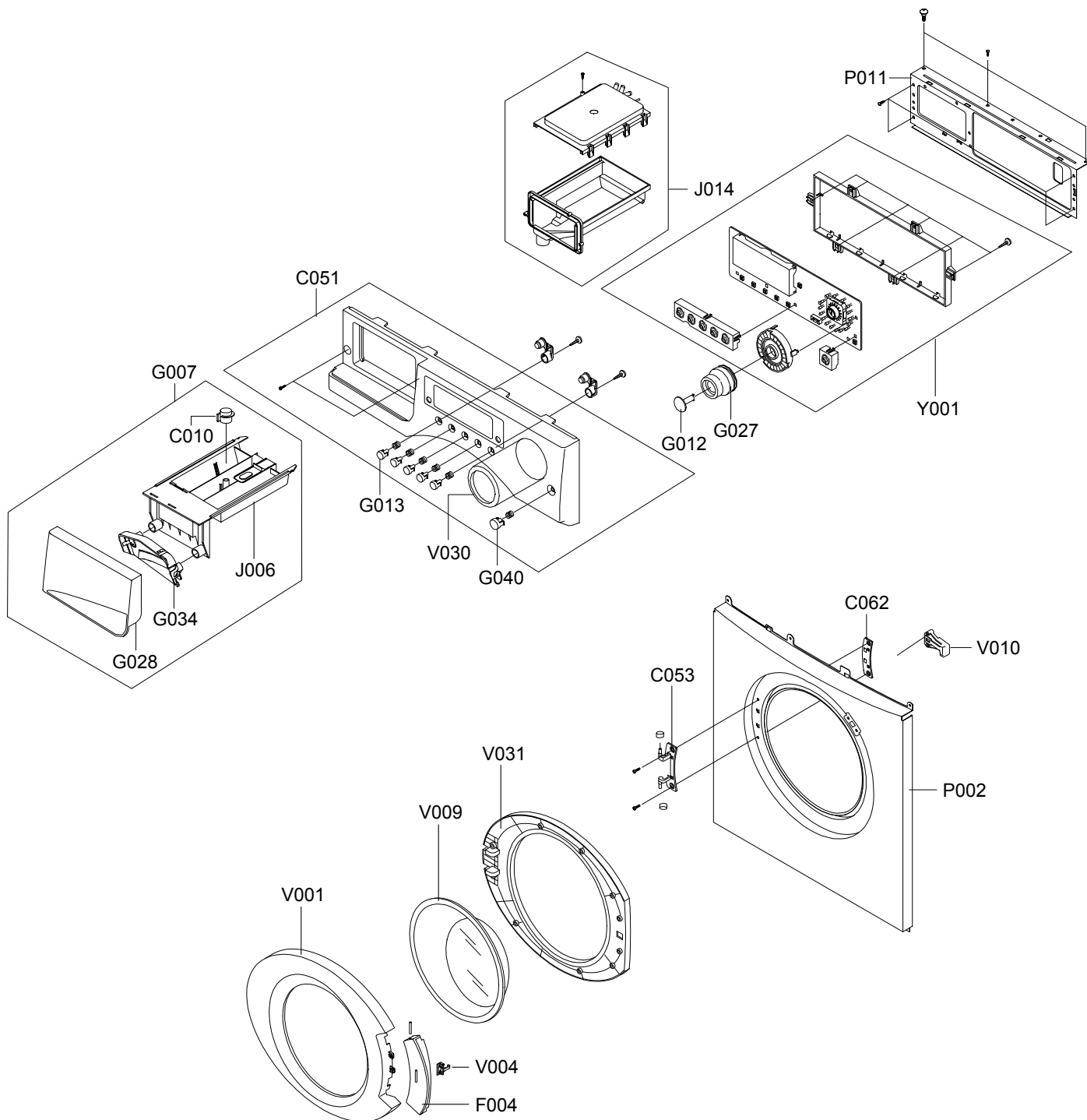
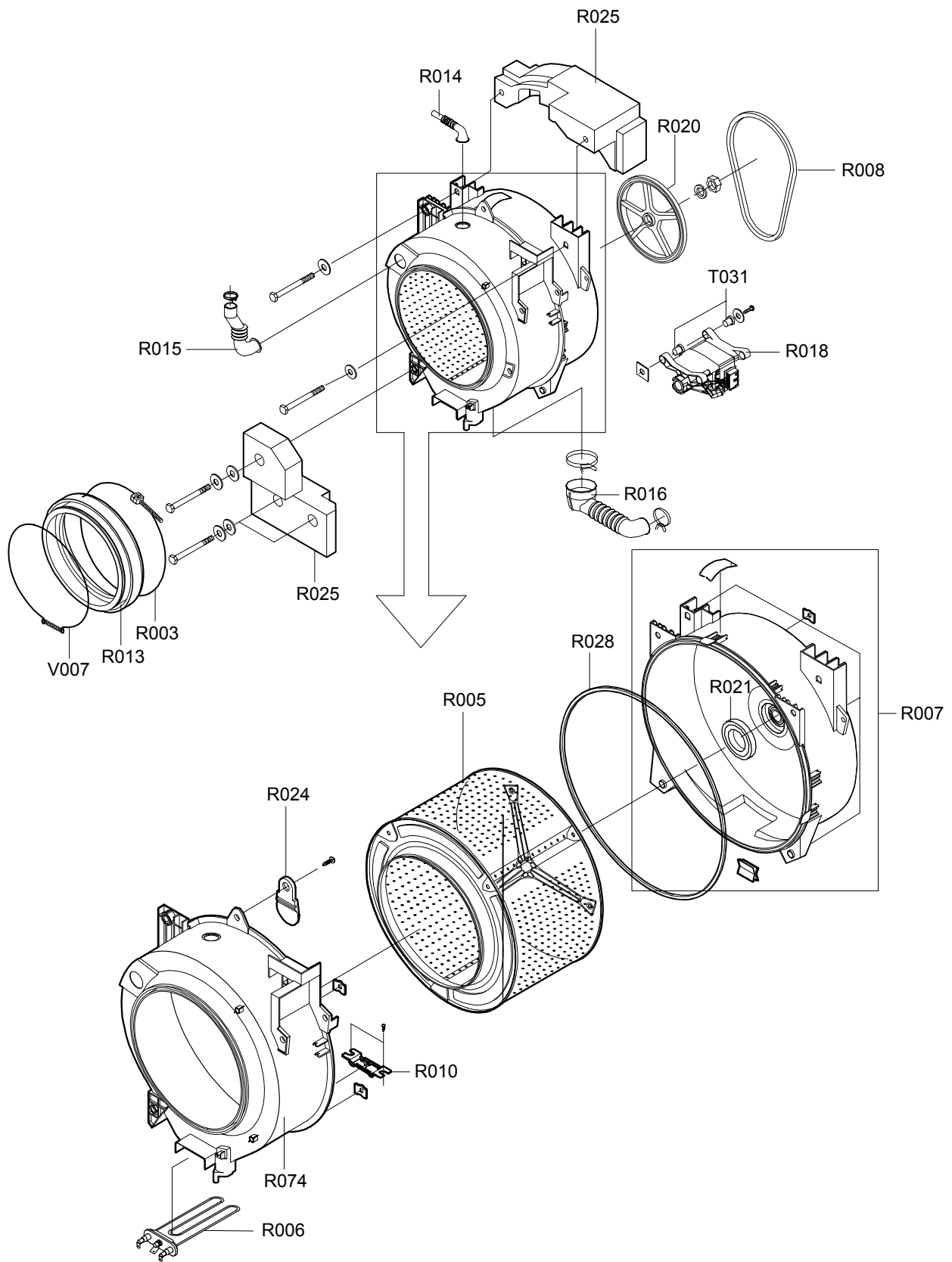


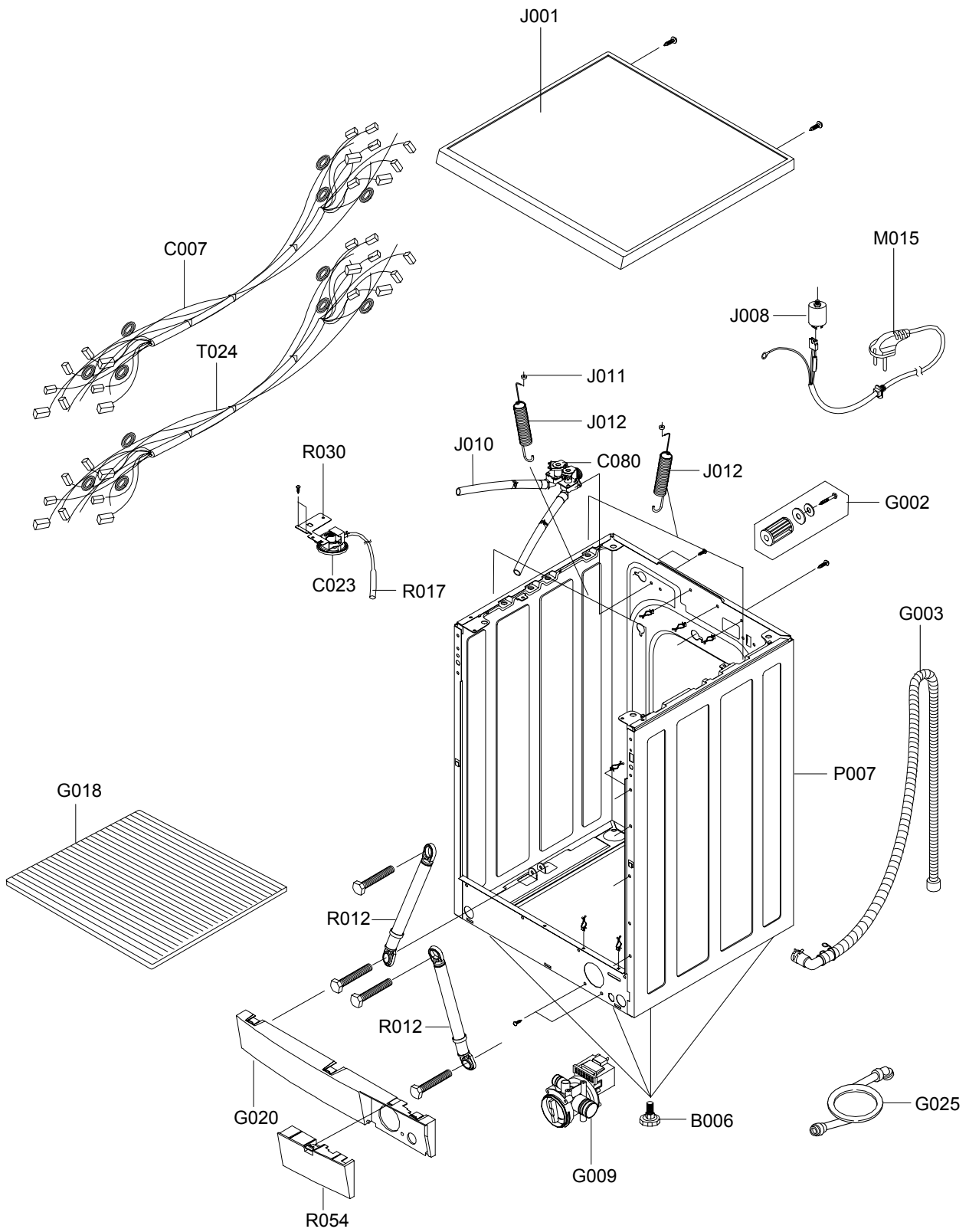
15. TOP(FRONT) - EXPLODED VIEW



15. TUB - EXPLODED VIEW



15. CASE - EXPLODED VIEW



15. PARTS LIST

| NO. | CODE NO. | DESCRIPTION | SPECIFICATION | QTY | REMARK |
|------|-------------|---------------------|--|------|---------|
| B006 | DC97-02079D | ASSY-LEG | SBP2,SD455,SD405,FLANG TYPE/25MM/CHIN | 4 | |
| C007 | DC96-00831A | ASSY-M.WIRE HARNESS | R1245A,MAIN/CLONE-PJT | 1 | |
| C010 | DC61-10316B | CAP-RINSE | SEW-740DR,PP(TB-52),-, -, -, WHT, -, | 1 | |
| C023 | DC32-30006P | SENSOR PRESSURE | DN-S14(P1291),TERMINAL-TYPE(DC5V) | 1 | |
| C051 | DC97-07987A | ASSY-PANEL CONTROL | R1245AVGW/YLP,RUSSIAN/WHITE | 1 | R1245AV |
| C051 | DC97-07988A | ASSY-PANEL CONTROL | R1045AGW/YLP,RUSSIAN/WHITE | 1 | R1045A |
| C053 | DC61-00932A | HINGE-DOOR | Q1636GW/XEU,ZNDC, -, -, -, -, TS-2 PJT | 1 | |
| C080 | DC62-00024F | VALVE-WATER | B1215J,NYLON66/250TRMN, -, -, NTR,2-WAY(220~240V50/60HZ)ELBI | 1 | |
| C080 | DC62-00024F | VALVE-WATER | B1215J,NYLON66/250TRMN, -, -, NTR,2-WAY(220~240V50/60HZ)ELBI | 1 | |
| F004 | DC64-00561D | HANDLE-DOOR | Q1636V,ABS, -, -, -, SILVER-SPRAY, TS-2 PJT | 1 | R1245AV |
| F004 | DC64-00561A | HANDLE-DOOR | Q1636,ABS, -, -, -, WHT, TS-2 PJT | 1 | R1045A |
| G002 | DC97-02106A | ASSY-FIXER TUB | S1005J,SLIM-PJT | 4 | R1245AV |
| G002 | DC97-02106A | ASSY-FIXER TUB | S1005J,SLIM-PJT | 5 | R1045A |
| G003 | DC97-00139E | ASSY-HOSE DRAIN(O) | SB-PJT,PP/L1770/CHINA | 1 | |
| G007 | DC97-06280M | ASSY-PANEL FRONT | R1245A,SSEC/AG+/J-PJT | 1 | |
| G009 | DC96-00692A | ASSY-PUMP DRAIN | P8091/CHINA,220~240V/50Hz/CKD | 1 | |
| G012 | DC64-00559C | BUTTON-ENCODER | Q1636V,ABS, -, -, WHT, ICON | 1 | |
| G013 | DC64-00565A | BUTTON-PUSH | Q1636,ABS, -, -, WHT, TS-2 PJT | 1 | |
| G018 | DC64-00693A | SHUTTER | SD455,PP,4, -, -, WHT,45CM SLIM | 1 | |
| G020 | DC63-00578B | COVER-FRONT(L) | J1045A,PC(ABS), -, -, -, WHT, J-PJT | 1 | |
| G025 | DC62-10289C | HOSE-WATER(C) | RUSSIA,PVC+NYLON,ID10.3, -, -, L1500,GRY,COLD/LOCAL | 1 | |
| G027 | DC64-00558C | KNOB-ENCODER | Q1636S,ABS, -, -, -, CR-COATING, -, NON-BRIGHT | 1 | R1245AV |
| G027 | DC64-00558A | KNOB-ENCODER | Q1636,ABS(HG-0760), -, -, -, WHT, -, TS2-PJ | 1 | R1045A |
| G028 | DC64-00556A | PANEL-DRAWER | Q1636V,ABS(HG-0760), -, -, -, WHT/SAMSUNG,NO-BRIGHT_STAMP | 1 | R1245AV |
| G028 | DC64-00556B | PANEL-DRAWER | Q1636,ABS(HG-0760), -, -, -, WHT/SAMSUNG,NOT-STAMPING | 1 | R1045A |
| G034 | DC64-00570A | HANDLE-DRAWER | Q1636GW/XEU,ABS(HG-0760), -, -, -, WHT, TS-2 PJT | 1 | |
| G040 | DC64-00567A | BUTTON-PUSH(P) | Q1636V,ABS, -, -, WHT, TS-2 PJT | 1 | |
| J001 | DC97-07979A | ASSY-COVER TOP | R1045AV/WHT/WOOD,CLON-PJT | 1 | |
| J006 | DC61-00366A | BODY-DRAWER | SL-600,TB-53, -, -, -, -, - | 1 | |
| J008 | DC29-00006A | FILTER-EMI | DFC-2712R,P/PV/SLIM,250V,12A, © 38.2xH60, -, -, VDE, -, - | 1 | |
| J010 | DC62-00122A | HOSE-DRAWER | S1005J,EPDM,ID10, -, -, -, SLIM-PJT | 1 | |
| J010 | DC67-00051D | HOSE-DRAWER | S1093~S6093,EPDM, -, -, -, BLK,SLIM-PJT/SSEC | 0.49 | |
| J010 | DC62-00122A | HOSE-DRAWER | S1005J,EPDM,ID10, -, -, -, SLIM-PJT | 1 | |
| J010 | DC67-00051D | HOSE-DRAWER | S1093~S6093,EPDM, -, -, -, BLK,SLIM-PJT/SSEC | 0.49 | |
| J011 | DC61-60180A | SLEEVE-PLUG | NYLON#6,SEW-720DR, -, -, NTR | 4 | |
| J012 | DC61-01279A | SPRING-HANGER | 5.2KG(F631/F831),HSWR,CD2.8, -, -, L170,15.25, -, RED, -, D25 | 2 | |
| J012 | DC61-01280A | SPRING-HANGER | 5.2KG(F631/F831),HSWR,CD2.8, -, -, L181,15.25, -, BLUE, -, D25 | 2 | |
| J014 | DC97-04748X | ASSY-HOUSING DRAWER | F1035SA/F1235SA,2WAY/COLD+HOT/CHINA | 1 | |
| J014 | DC97-02132C | ASSY-HOUSING DRAWER | S1093~S6093/2-WAY,SLIM(U.M/L-ASSY) | 1 | |
| M015 | DC96-00146A | ASSY POWER CORD | UCP2, -, 250V/16A, -, -, -, -, -, P1291, - | 1 | |
| P002 | DC97-05133A | ASSY-FRAME FRONT | Q1636GW/XEU,TS-2 PJT | 1 | |

15. PARTS LIST

| NO. | CODE NO. | DESCRIPTION | SPECIFICATION | QTY | REMARK |
|------|---------------|----------------------|--|-----|---------|
| P007 | DC99-00528A | ASSY-PAINT FRAME | R1045A,SD455/WHITE | 1 | |
| P011 | DC61-01245A | FRAME-PLATE(U) | MW24-PJT,EGI,-,-,-,T0.8,-,-,MW24 | 1 | |
| R003 | DC91-12077A | ASSY-CLAMP DIAPHRAGM | SWF-P12,TUB | 1 | |
| R005 | DC97-07467A | ASSY-DRUM | 5.2KG MODEL,NEW-DRUM/SSEC | 1 | R1245AV |
| R005 | DC97-01463L | ASSY-DRUM | R1043~R843,1000RPM | 1 | R1045A |
| R006 | DC47-00006B | HEATER | KAWAI,P-SLIM MODEL,SUS316L,-,-,230V,-,-,1900W | 1 | |
| R007 | DC97-00214R | ASSY-TUB BACK | SD405/SD455,5.2KG/1200rpm | 1 | R1245AV |
| R007 | DC97-00214T | ASSY-TUB BACK | R1043~R843,MID-PJT/5.2Kg | 1 | R1045A |
| R008 | 6602-001072 | BELT-TIMING GEAR | POLYURETHAN,L1270,J5,MEGADYNE,NTR | 1 | |
| R010 | DC61-00856A | BRACKET-HEATER | SB-PJT,STS430,-,-,-,- | 1 | |
| R012 | DC66-00320A | DAMPER-SHOCK | SB-PJT,ABS,-,-,-,-,WHT,AKS-DAMPER/50N | 2 | R1245AV |
| R012 | DC66-00334A | DAMPER-SHOCK | Q1636GW/XEU,-,-,-,-,L197.5,-,TS-2 PJT | 2 | R1045A |
| R013 | DC61-20219E | DOOR-DIAPHRAGM | SEW-HW107,EPDM,-,-,-,-,GRY,HAUZEN | 1 | |
| R014 | DC62-10303A | HOSE-AIR | -,EPDM,ID24,-,-,L130,BLK,SWF-P12/OD47 | 1 | |
| R015 | DC62-10305A | HOSE-DRAWER TUB | -,EPDM,ID35,-,-,L158,BLK,SWF-P12/OD40 | 1 | |
| R016 | DC62-00121A | HOSE-FILTER TUB | S1005J,EPDM,ID65,-,-,-,-,SLIM-PJT | 1 | |
| R017 | DC67-00107A | HOSE-PRESSURE | S821,PE-BLOW,ID13.2,OD6.2,-,-,NTR,- | 1 | |
| R018 | DC31-00002E | MOTOR-DRUM | HXGN2I.02,SFW-P8,-,50Hz,-,-,LOW-RPM,-,220~240V,-,-,WELLING(M&M)_39mm | 1 | |
| R020 | DC66-10176F | PULLEY | SD405/SD455,ALDC,-,-,-,-,D297,-,DRUM(5.2kg) | 1 | R1245AV |
| R020 | DC66-10176D | PULLEY | SB-PJT,ALDC,-,-,ID12.5,-,-,CENTER SHAFT UNLIKE | 1 | R1045A |
| R021 | DC62-00160A | SEAL-OIL | TS0-PJT,NBR(SD35),BLK,-,-,-,JINYANG | 1 | R1245AV |
| R021 | DC62-00007A | SEAL-OIL | -,NBR(SD25),BLK,-,-,-,P6091/NBU15 | 1 | R1045A |
| R024 | DC62-20311A | VANE-CHECK | SWF-P12,EPDM,-,-,BLK,- | 1 | |
| R025 | DC67-00042B | WEIGHT-BALANCER | F1215,GC-150(CHINA),-,-,-,-,40CM SLIM/LOWER/7KG | 1 | |
| R025 | DC67-00050B | WEIGHT-BALANCER | F-1215,GC-150,-,-,-,-,F-PJT(R)1.4KG(CHINA) | 1 | |
| R025 | DC67-00091A | WEIGHT-BALANCER | F1215(F-PJT),GC-150,-,-,-,-,UP/STEEL/14KG/CHINA | 1 | |
| R028 | DC62-40183A | PACKING-TUB | SWF-P12,EPDM,-,-,-,-,BLK,- | 1 | |
| R030 | DC61-40345A | BRACKET-PRESSURE | GI or GA,SWK-P12,T1.0,-,-,-,- | 1 | |
| R054 | DC63-00563C | COVER-FILTER | J1045A,PC(ABS),-,-,-,-,WHT,J-PJT | 1 | |
| R074 | DC61-00365B | TUB-FRONT | SL-600,FRPP(GR15%)SAMBAK,-,-,-,- | 1 | |
| T024 | DC96-00835A | ASSY-WIRE HARNESS | R1245AV,SUB/CLONE-PJT | 1 | R1245AV |
| T024 | DC96-00648A | ASSY-WIRE HARNESS | F1235,SUB(LOW) | 1 | R1045A |
| T031 | DC61-00041A | CUSHION-MOTOR | SWF-6V,BUTYL,-,-,-,-,ID16/OD20, | 1 | |
| V001 | DC63-00411D | COVER-DOOR | Q1636V,ABS,-,-,-,-,-,SILVER-SPARY,TS-2 PJT | 1 | R1245AV |
| V001 | DC63-00411A | COVER-DOOR | Q1636,ABS,-,-,-,-,-,WHT,TS-2 PJT | 1 | R1045A |
| V004 | DC97-05111A | ASSY-LEVER DOOR | Q1636GW/XEU,TS-2 PJT | 1 | |
| V007 | DC91-12078A | ASSY-WIRE DIAPHRAGM | SWF-P12,FRAME-FRONT | 1 | |
| V009 | DC61-00013A | DOOR-GLASS | GLASS,NTR,SWF-P12 | 1 | |
| V010 | DC64-00653A | DOOR-LOCK SW | DA,PA6-G,-,H82,W50,-,BLK,250V/16A/ROLD | 1 | |
| V030 | DC64-00562A | WINDOW-ENCODER | Q1636,ACRYL,-,-,-,-,NTR,HOLE14 | 1 | |
| V031 | DC61-00931B | HOLDER-GLASS | Q1636V,PP(TB53),-,-,-,-,GRAY,TS-2 PJT | 1 | R1245AV |
| V031 | DC61-00931A | HOLDER-GLASS | Q1636,PP(TB53),-,-,-,-,WHT,TS-2 PJT | 1 | R1045A |
| Y001 | MES-AGMOD-S2 | ASSY PCB PARTS | TORNADO-AG+ CHINA | 1 | |
| Y001 | MFS-R1245A-00 | ASSY PCB PARTS | MFS-R1245A-00 AG+ Q2 | 1 | R1245AV |
| Y001 | MFS-R1045A-00 | ASSY PCB PARTS | MFS-R1045A-00 AG+ Q2 | 1 | R1045A |

16. SCREW BOLT LIST

| CODE NO. | DESCRIPTION | SPECIFICATION | REMARK | QTY |
|--------------|---------------|--|---------------------------|-----|
| 6001-001773 | SCREW-MACHINE | TH,+,M5,L12, | D-S/W+FRM-FRONT | 2 |
| 6002-000471 | SCREW-TAPPING | TH,+,1,M4,L12,PASS,STS304 | DOOR-LOCK S/W+FRAME | 2 |
| 6002-001286 | SCREW-TAPPING | FH,+,1,M4,L16,NTR,STS304 | C-DOOR+H-GLASS | 11 |
| 6002-000213 | SCREW-TAPPING | TH,+,1,M4,L12,ZPC(YEL),SWRCH18 | SUB PCB-ASSY+FRAME | 2 |
| 6002-000239 | SCREW-TAPPING | TH,+,2S,M4,L8,ZPC(YEL),SM20C | PANEL+FRM+HOUSING-D | 1 |
| 6002-000445 | SCREW-TAPPING | TH,+,2S,M4,L18,NTR,STS304 | PANEL+FRM+HOUSING-D | 2 |
| 6002-001327 | SCREW-TAPPING | PWH,+,1,M4,L12,NI PLT | C/TOP+FRAME | 2 |
| 6003-000226 | SCREW-TAPTITE | TH,+,S,M4,L8,ZPC(YEL),SWRCH18A | ASSY-GUIDE WATER+FRAME | 2 |
| 6003-000226 | SCREW-TAPTITE | TH,+,S,M4,L8,ZPC(YEL),SWRCH18A | W/V+FRAME | 2 |
| 6006-001170 | SCREW-TAPPING | WS,TH,+,M4,L10,ZPC(YEL) | B/K-PRESSURE+FRAME | 1 |
| 6006-001170 | SCREW-TAPPING | WS,TH,+,M4,L10,ZPC(YEL) | FILTER-EMI(E/M0 | 1 |
| 6006-001170 | SCREW-TAPPING | WS,TH,+,M4,L10,ZPC(YEL) | P/CORD(E/W) | 1 |
| 6009-001344 | SCREW-SPECIAL | TH,+,M4,L10(6),ZPC(YEL) | C/TOP+FRAME | 2 |
| 6002-000630 | SCREW-TAPPING | PH,+,2S,M3,L8,ZPC(YEL),SWRCH18 | - | 2 |
| 6011-001421 | BOLT-FLANGE | M7,L61(29.4),ZPC(YEL),SWRCH18A | WEIGHT(L) | 1 |
| 6011-001447 | BOLT-HEX | M8,L123(25),ZPC(YEL),SWRCH18A,WP,NYLOCK | WEIGHT(U) | 1 |
| 6011-001448 | BOLT-HEX | M8,L170(25),ZPC(YEL),SWRCH18A,WP,NYLOCK | WEIGHT(U) | 1 |
| 6011-001499 | BOLT-HEX | M8,L104.5(50),ZPC(YEL),SWCH10AK,2BODY,DAMPER | TUB+DAMPER | 2 |
| DC60-60044A | WASHER-PLAIN | ID10.5,OD30,T3,STS304 | DAMPER+TUB | 2 |
| DC61-00201A | BRACKET-NUT | SBHG-R,P1291,T3,NO-PAINT/MOTOR | MOTOR | 1 |
| DC97-02412A | ASSY-BOLT | SWF-P12,MOTOR, M8*L62 | MOTOR | 1 |
| DC97-02412A | ASSY-BOLT | SWF-P12,MOTOR, M8*L62 | WEIGHT BALANCE(L) | 1 |
| DC97-02412A | ASSY-BOLT | SWF-P12,MOTOR, M8*L62 | WEIGHT BALANCE(R) | 1 |
| 6011-001461 | BOLT-SOCKET | M12,L25,ZPC(YEL),SWRCH10A,HEAD FH, HEX | - | 1 |
| 6006-001170 | SCREW-TAPPING | WS,TH,+,M4,L10,ZPC(YEL) | - | 1 |
| DC61-40348B | BRACKET-NUT | SBHG-R,P1291,T3,NO-PAINT | - | 4 |
| 6002-000444 | SCREW-TAPPING | TH,+,2S,M4,L14,NTR,STS304 | - | 2 |
| 6002-000471 | SCREW-TAPPING | TH,+,1,M4,L12,PASS,STS304 | - | 1 |
| 6002-001327 | SCREW-TAPPING | PWH,+,1,M4,L12,NI PLT | - | 2 |
| DC61-00201A | BRACKET-NUT | SBHG-R,P1291,T3,NO-PAINT/MOTOR | - | 1 |
| DC61-40348B | BRACKET-NUT | SBHG-R,P1291,T3,NO-PAINT | - | 3 |
| DC60-40005A | BOLT-HEX | M4,L60,ZPC2(YEL),SS41C | - | 1 |
| DC60-50010A | NUT-DIAPHRAGM | EGI,M4,2.5TX20X8 | - | 1 |
| DC60-50010B | NUT-DIAPHRAGM | EGI,M4,2.2.5TX20X8 | - | 1 |
| 6011-001492 | BOLT-FLANGE | M8,L25,PASS,STS304,NYLOCK,P1.25 | - | 3 |
| 6002-000213 | SCREW-TAPPING | TH,+,1,M4,L12,ZPC(YEL),SWRCH18 | C-PANEL+BUTTON-WINDOW | 2 |
| 6002-000213 | SCREW-TAPPING | TH,+,1,M4,L12,ZPC(YEL),SWRCH18 | C-PANEL+PCB | 6 |
| 6002-000213 | SCREW-TAPPING | TH,+,1,M4,L12,ZPC(YEL),SWRCH18 | CLAMPER-HOSE+FRAME | 1 |
| 6002-000239 | SCREW-TAPPING | TH,+,2S,M4,L8,ZPC(YEL),SM20C | COVER-FRONT(L)+FRAME | 1 |
| 6002-000239 | SCREW-TAPPING | TH,+,2S,M4,L8,ZPC(YEL),SM20C | FRAME-FRONT+FRAME | 7 |
| 36002-000239 | SCREW-TAPPING | TH,+,2S,M4,L8,ZPC(YEL),SM20C | FRAME-PLATE(U)+FRAME | 4 |
| 002-000525 | SCREW-TAPPING | FH,+,1,M4,L12,PASS,STS304 | P/CONTROL+FRAME | 1 |
| 6002-001006 | SCREW-TAPPING | TH,+,2S,M4,L12,STS410 | PUMP+FRAME | 2 |
| 6006-001170 | SCREW-TAPPING | WS,TH,+,M4,L10,ZPC(YEL) | E/W(MAIN)+FRAME | 1 |
| 6006-001170 | SCREW-TAPPING | WS,TH,+,M4,L10,ZPC(YEL) | E/W(SUB)+FRAME(F) | 1 |
| 6009-001343 | SCREW-SPECIAL | PH,TORX,,M4,L10,PASS | P/CORD+FRAME | 1 |
| DC60-40144A | BOLT-HEX | M10,L41,ZPC2(YEL),SM10C/DAMPER | DAMPER+FRAME | 2 |
| DC60-40146A | BOLT-SPANER | OD36,T2.5,L52,FE,FZY,P12 | ACCESSORY | 1 |
| 6002-000554 | SCREW-TAPPING | PH,+,2S,M4,L12,ZPC(YEL),SWRCH1 | - | 3 |
| DC62-00187A | SEAL-WASHER | SW80ASPIW/YMI,NBR,BLK | - | 1 |
| 6011-001421 | BOLT-FLANGE | M7,L61(29.4),ZPC(YEL),SWRCH18A | - | 1 |
| DC60-60040A | WASHER-NYLON | ID10.5,OD32,T2,PBSP-1/2H | - | 1 |
| DC60-60044B | WASHER-PLAIN | SBC,ID8.4,OD30,T3 | - | 1 |
| 6002-000213 | SCREW-TAPPING | TH,+,1,M4,L12,ZPC(YEL),SWRCH18 | - | 2 |
| 6002-001327 | SCREW-TAPPING | PWH,+,1,M4,L12,NI PLT | - | 2 |



This Service Manual is a property of Samsung Electronics Co.,Ltd.
Any unauthorized use of Manual can be punished under applicable
International and/or domestic law.

©Samsung Electronics Co., Ltd. JULY 2004
Printed in Korea
Code No. : DC68-02248A