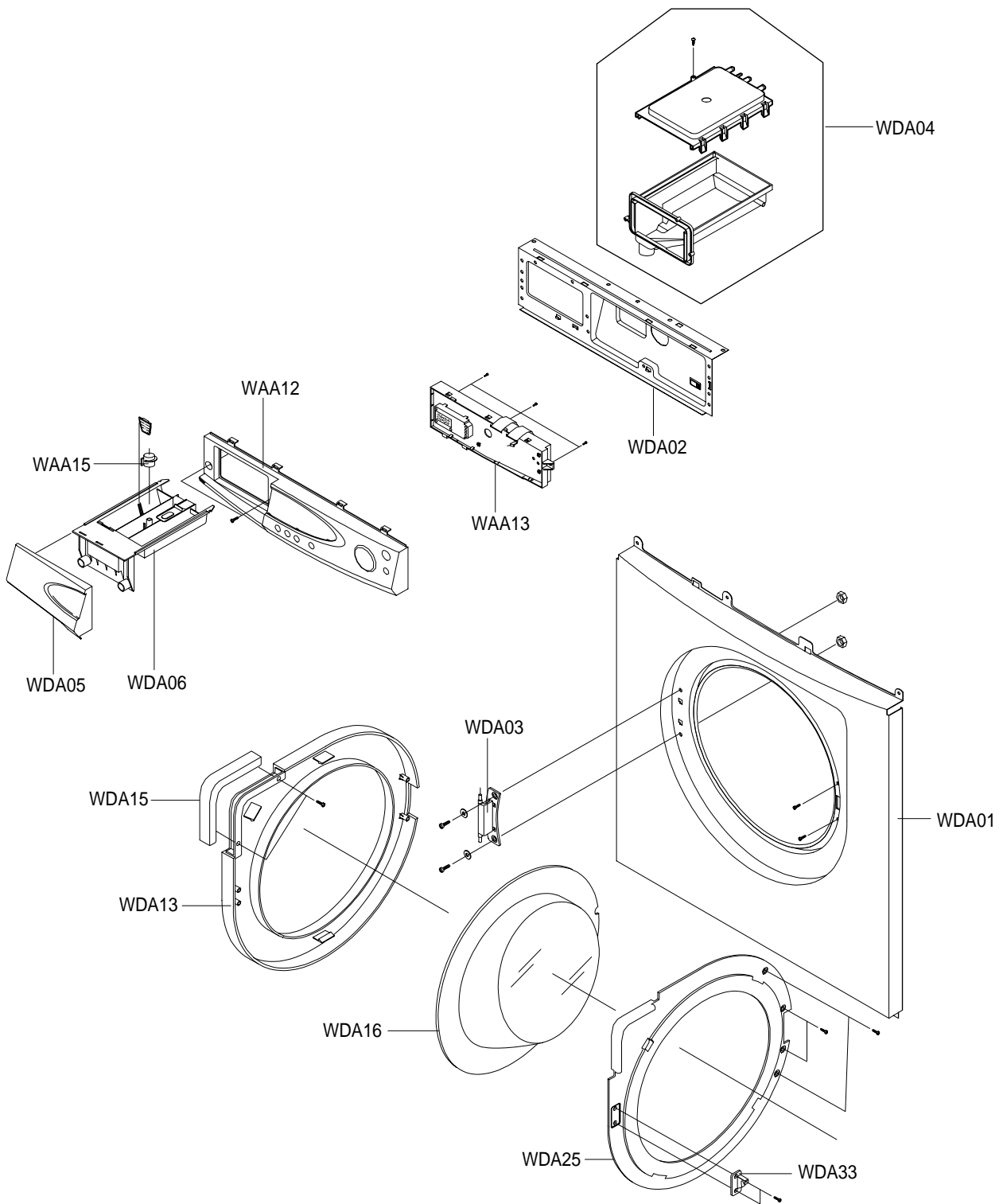
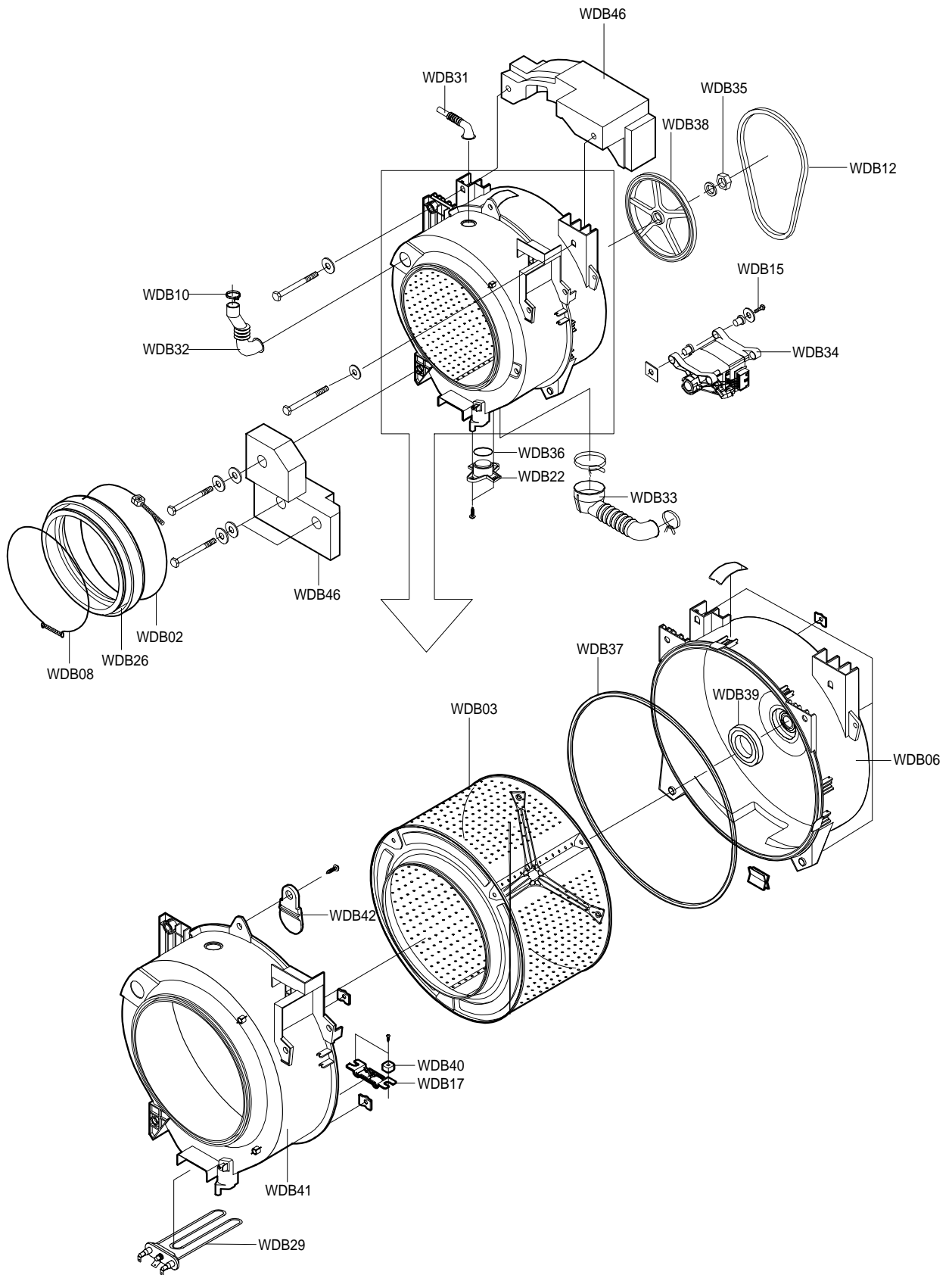
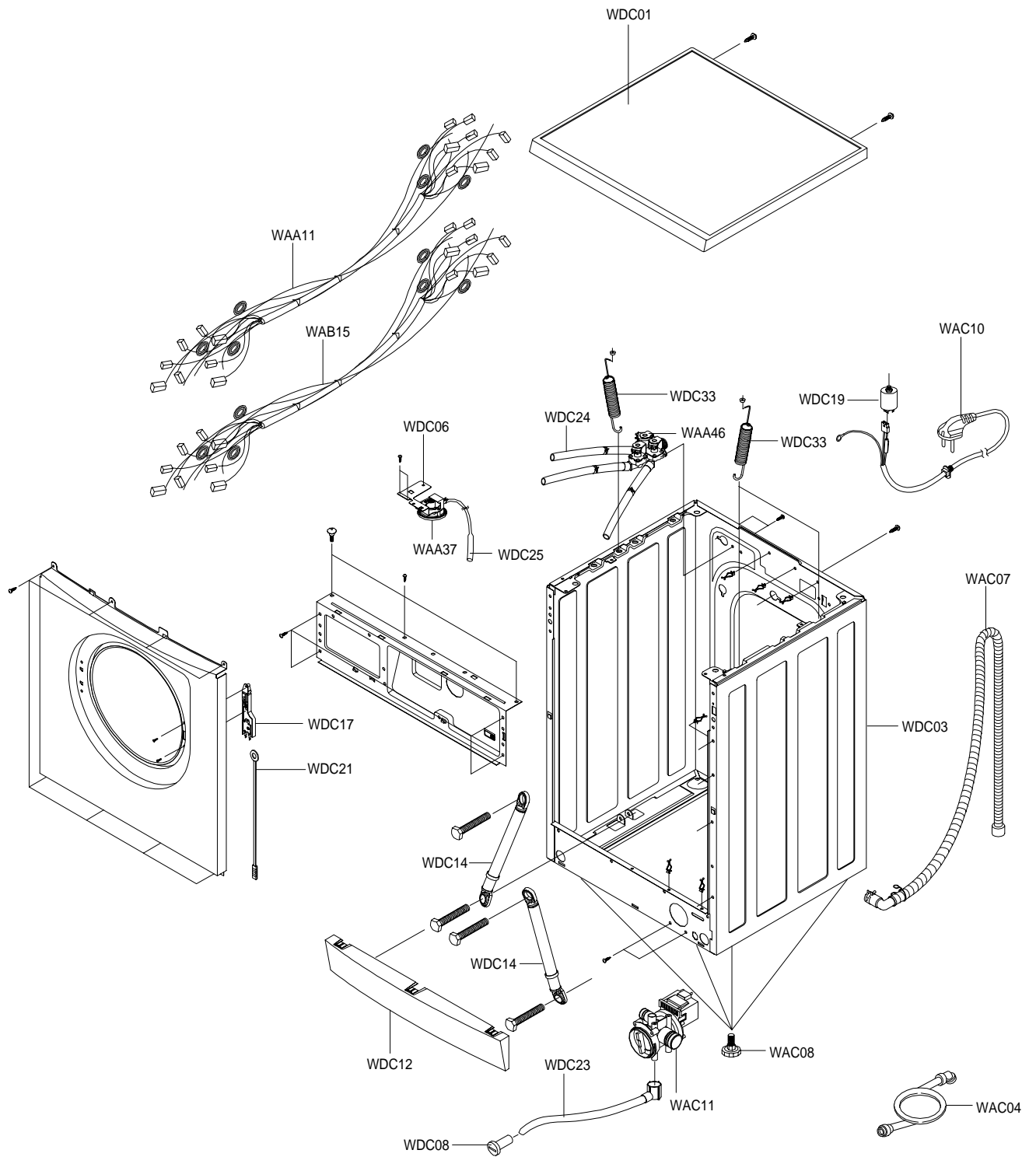

11. TOP(FRONT) - Exploded View



11. TUB - Exploded View



11. CASE - Exploded View



11. Parts List

LOCATION NO.	CODE NO.	DESCRIPTION;SPECIFICATION	Q'TY	REMARK
WAA11	DC96-00070D	ASSY-M.WIRE HARNESS;P1291/1191/1091/8091	1	P1291GW/P1091GW/P8091GW
WAA12	DC97-00003U	ASSY-PANEL CONTROL;P1291,CIS	1	P1291GW/P1091GW
WAA12	DC97-00003V	ASSY-PANEL CONTROL;P8091,CIS	1	P8091GW
WAA13	MF-P1291-00	ASSY PCB PARTS:P1291	1	P1291GW
WAA13	MF-P1091-00	ASSY PCB PARTS:P1091	1	P1091GW
WAA13	MF-P8091-00	ASSY PCB PARTS:P8091	1	P8091GW
WAA15	DC61-10687A	CAP-RINSE;PP,WHT,SWF-P12	1	
WAA37	DC32-30006P	SENSOR PRESSURE;DN-S14(P1291),TERMINAL-T	1	
WAA45	DC26-00005B	TRANS-FORMER;450MA,220~240VAC,11VDC,50,6 PC	1	
WAA46	DC97-02041A	ASSY-VALVE WATER(C);P1205J,ELBI VALVE/3W	1	
WAA46	DC62-30313D	VALVE-WATER;NYLON,SEW-760DR,ELBI/3WAY	1	
WAB15	DC96-00053C	ASSY-WIRE HARNESS;P1491-P1091(SUB),HIGH-	1	P1291GW/P1091GW
WAB15	DC96-00053D	ASSY-WIRE HARNESS;P8091-P6091(SUB),LOW-	1	P8091GW
WAB18	DC60-40133A	BOLT-PULSATOR;M8,L25,-,STS 304	3	
WAB19	DC61-10676A	CAP-TRAP;PP(TB53),-,SWF-P12	1	
WAB22	DC61-00041A	CUSHION-MOTOR;BUTYL,SWF-6V,ID16/OD20	2	
WAB27	DC62-10302A	HOSE-DRAIN;EPDM,ID5.5,BLK,L220,OD9.5	1	
WAB28	DC62-10022G	HOSE-PUMP;PP(BB110),ID21,WHT,L2200,-	1	
WAC04	DC62-10289B	HOSE-WATER(C);PVC+NYLON,ID10.2,GRY,L1500	1	
WAC07	DC97-00139B	ASSY-HOSE DRAIN(O);SWF-P12V,PP(BB110)220	1	
WAC08	DC91-12292A	ASSY-LEG;SWF-P12,-	4	
WAC10	DC96-00146A	ASSY-POWER CORD;P1291-P6091,250V/16A(PV)	1	
WAC11	DC96-00115A	ASSY-PUMP DRAIN;P1291-P1091,220-240V/50H	1	P1291GW/P1091GW
WAC11	DC96-00115B	ASSY-PUMP DRAIN;P8091/P6091,220-240/50/GRY	1	P8091GW
WDA01	DC97-00416A	ASSY-FRAME FRONT;SWF-P12,FRAME-FRONT	1	
WDA02	DC97-00417A	ASSY-FRAME PLATE(U);SWF-P12,FRAME-PLATE(1	
WDA03	DC97-00100B	ASSY-HINGE;P1205J,STS430	1	
WDA04	DC91-12085A	ASSY-HOUSING DRAWER;SWF-P12,-	1	
WDA05	DC97-00004L	ASSY-PANEL FRONT;P1291,-	1	P1291GW
WDA05	DC97-00004M	ASSY-PANEL FRONT;P1091,-	1	P1091GW
WDA05	DC97-00004N	ASSY-PANEL FRONT;P8091,-	1	P8091GW
WDA06	DC61-30348A	BODY-DRAWER;PP,WHT,SWF-P12	1	
WDA13	DC61-10682A	COVER-DOOR;ABS,WHT,SWF-P12	1	P1291GW/P1091GW/P8091GW
WDA15	DC64-20013D	DECORATION-LID;ABS,-,SEW-660DW,CR	1	P1291GW
WDA15	DC64-20013B	DECORATION-LID;ABS,GRY,SWF-P10/SEF-P8	1	P1091GW/P8091GW
WDA16	DC61-00013A	DOOR-GLASS;GLASS,NTR,SWF-P12	1	
WDA25	DC61-40346A	HOLDER-GLASS;ABS,WHT,SWF-P12,-	1	
WDA26	DC62-10068A	HOSE-DRAWER;SOFT-PVC,ID10,NTR,L350,-	0.69	
WDC28	DC66-30160A	LEVER;PE,L335,SWF-P12(ORG)	1	
WDA35	DC61-00035E	PANEL-DRAWER;ABS(W9737),PEARL/WHT,P1291	1	P1291GW
WDA35	DC61-00035F	PANEL-DRAWER;ABS(W9737),PEARL/WHT,P1091	1	P1091GW
WDA35	DC61-00035G	PANEL-DRAWER;ABS(W9737),PEARL/WHT,P8091	1	P8091GW
WDB02	DC91-12077A	ASSY-CLAMP DIAPHRAGM;SWF-P12,TUB	1	
WDB03	DC97-01463A	ASSY-DRUM;SWE-1400,NEW DRUM/LIFTER TYPE	1	P1291GW/P1091GW
WDB03	DC97-01463B	ASSY-DRUM;P801(800RPM),LEFTER TYPE/NEW-DRUM	1	P8091GW
WDB06	DC97-00214B	ASSY-TUB BACK;P1291/SWF-P12,BACK/1000RPM	1	P1291GW/P1091GW
WDB06	DC97-00214K	ASSY-TUB BACK;SWF-P8/P6091,LOW-RPM/NO.3	1	P8091GW
WDB08	DC91-12078A	ASSY-WIRE DIAPHRAGM;SWF-P12,FRAME-FRONT	1	

11. Parts List

LOCATION NO.	CODE NO.	DESCRIPTION;SPECIFICATION	Q'TY	REMARK
WDB12	DC66-10139B	BELT-TRANSMISSION;RUBBER,POLY-V J5,-,SWF	1	
WDB17	DC61-40344A	BRACKET-HTER;STS430,T1,SWF-P12,-	1	
WDB26	DC61-20219A	DOOR-DIAPHRAGM;EPDM,-,-,-,-,-,GRY,SWF-	1	
WDB29	DC47-00001A	HEATER;- ,230V,2000W,230V2000W,-,P6091,-,	1	
WDB31	DC62-10303A	HOSE-AIR;EPDM,ID24,BLK,L130,SWF-P12/OD4	1	
WDB32	DC62-10305A	HOSE-DRAWER TUB;EPDM,ID35,BLK,L158,SWF-P	1	
WDB33	DC62-10304A	HOSE-FILTER TUB;EPDM,ID65,BLK,L151,SWF-P	1	
WDB34	DC31-00002C	MOTOR-DRUM;MCC 45/64 148/SEC1,220~240V,5	1	P1291GW/P1091GW
WDB34	DC31-00035H	MOTOR-DRUM;HXGN21.02,SFW-P8,-,50Hz	1	P8091GW
WDB37	DC62-40183A	PACKING-TUB;EPDM,BLK,SWF-P12	1	
WDB39	DC62-00008A	SL-OIL;NBR(SD35),BLK,NBU(P115)	1	
WDB40	DC61-60496A	SPACER-HEATER;PBT,SWF-P12,-	2	
WDB41	DC61-30346A	TUB-FRONT;FRPP(GR30%),IVORY,SWF-P12	1	
WDB42	DC62-20311A	VANE-CHECK;EPDM,BLK,SWF-P12,-	1	
WDB46	DC66-60153A	WEIGHT-BALANCER;CONCRETE,SWF-P12,UPPER	1	
WDB46	DC66-60154A	WEIGHT-BALANCER;CONCRETE,SWF-P12,LOWER	1	
WDC01	DC97-00851A	ASSY-COVER TOP;SWF-P12,WOOD/WHT	1	
WDC02	DC97-00730J	ASSY-DOOR;SEW-670DW,SILVER/BUTTON-TYPE	1	P1291GW
WDC02	DC97-00730M	ASSY-DOOR;P1005J,LEVER/KOREA/GRY	1	P1091GW/P8091GW
WDC03	DC99-00060A	ASSY-PAINT FRAME;P1091,COLD/P-HOLE-LOWER	1	
WDC06	DC61-40345A	BRACKET-PRESSURE;GI or GA,T1.0,SWK-P12,-	1	
WDC08	DC61-10673A	CAP-DRAIN;PP(TB53),WHT,SWF-P12	1	
WDC12	DC61-10672A	COVER-FRONT(L);SWF-P12,PP(BJ-730),-,WH	1	
WDC14	DC66-60149A	DAMPER-SHOCK;- ,SWF-P12,80N	2	
WDC17	DC64-00120E	DOOR-LOCK S/W;760DR,NYLON,-,WHT,-,VDE/	1	P1291GW/P1091GW/P8091GW
WDC19	DC29-00004A	FILTER-EMI;FA-2137T-2,P/PV-PJT,250V,13A,	1	
WDC25	DC62-10311A	HOSE-PRESSURE;EPDM,ID13.5,BLK,-,SWF-P12/	1	
WDC28	DC66-00096A	LEVER-DOOR;ZnDC,-,W20,L40,-,P1405J,-	1	P1291GW/P1091GW/P8091GW
WDC31	DC31-00007A	PUMP-DRAIN;DC31-00007A,220~240V/50HZ,-,C	1	
WDC33	DC61-70216C	SPRING-HANGER;HSWR,CD3.5,-,L175,-,P129	2	

11. Screw/Bolt List

CODE NO.	DESCRIPTION	SPECIFICATION	Q'TY	ASSEMBLY LOCATION
DC60-40132B	BOLT-FLANGE	M8,L210,ZPC2(YEL),SS41C	1	WEIGHT/U
DC60-40144A	BOLT-HEX	M10,L41,ZPC2(YEL),SM10C/DAMPER	2	DAMPER+FRAME
DC60-40142A	BOLT-HEX	SM10C/FIXER,HEX,M7,L88.4,-,ZPC2(YEL),-,-	1	-
DC60-40140A	BOLT-HEX	WEIGHT-UL/SM10C,HEX,M8,L147,-,ZPC2(YEL),-,-	1	WEIGHT/L
DC60-40140A	BOLT-HEX	WEIGHT-UL/SM10C,HEX,M8,L147,-,ZPC2(YEL),-,-	1	WEIGHT/U
DC60-40141A	BOLT-HEX	SM10C/DAMPER,HEX,M8,L66,-,ZPC2(YEL),-,-	2	DAMPER+TUB
DC60-40005A	BOLT-HEX	M4,L60,ZPC2(YEL),SS41C,-,-,-	1	-
DC60-40133A	BOLT-PULSATOR	M8,L25,-,STS 304	3	-
DC60-40138A	BOLT-W.MOTOR	SM10C,HEX,M8,L62,-,ZPC2(YEL),-,-	1	MOTOR
DC60-40138A	BOLT-W.MOTOR	SM10C,HEX,M8,L62,-,ZPC2(YEL),-,-	2	WEIGHT/L
DC61-00201A	BRACKET-NUT	SBHG-R,T3,P1291,-,NO-PAINT/MOTOR,-,-,-	1	MOTOR
DC61-40348B	BRACKET-NUT	SBHG-R,T3,P1291,NO-PAINT	2	TUB-BACK
DC61-40348B	BRACKET-NUT	SBHG-R,T3,P1291,NO-PAINT	5	TUB-FRONT
DC61-00118A	CLAMP-HOSE	LYLON6/6,ID27,OD30,P1291,-	1	H-DRAIN(O)
DC61-00133A	CLAMP-HOSE	PP(BJ-730),ID24.5,OD29.5,P1291,HOSE+PLUG	1	FRAME+HOSE(O)
DC61-60063B	CLAMP-HOSE	SK5,-,YEL	1	HOSE-PRESSURE
DC61-60359D	CLAMP-HOSE	HSWR,-,-,SEW-745DW,ID8.5/OD10.5	1	HOSE-PRESSURE
DC61-60497A	CLAMP-HOSE	HSWR,SWF-P12,ID70/OD75.8(TUB)	1	HOSE-FILTER TUB
DC61-00219C	CLIP-HOSE	SK-5,WLSL1100A,ZPC2,ID35,OD37.4	1	PUMP+HOSE-FILTER TUB
DC61-60499B	CLIP-TUB	HSWR,P1291,NO/PAINT	8	TUB
DC61-60520A	CLIP-TUB	SK5,SWF-P12,PLATE-TYPE	2	TUB
DD60-50018A	NUT-FLANGE	-,M5XP0.8,FZY,MSWR10,-	2	HINGE
DC61-70216C	SPRING-HANGER	HSWR,CD3.5,-,L175,-,-,P1291,OD25.1	1	LEFT
DC61-70216C	SPRING-HANGER	HSWR,CD3.5,-,L175,-,-,P1291,OD25.1	1	RIGHT
DC60-60040A	WASHER-NYLON	-,ID10.5,OD32,T2,-,PBSP-1/2H	1	FIXER
DC60-60040A	WASHER-NYLON	-,ID10.5,OD32,T2,-,PBSP-1/2H	3	WEIGHT/L
DC60-60025C	WASHER-PLAIN	PVC,ID5.5,OD10,T1,-,-,WHT(SWF-P12)	2	HINGE
DC60-60044B	WASHER-PLAIN	SBC,ID8.4,OD30,T3,-,-,-	1	FIXER
DC60-60044A	WASHER-PLAIN	-,ID10.5,OD30,T3,-,STS304	2	DAMPER+TUB
DC60-60044B	WASHER-PLAIN	SBC,ID8.4,OD30,T3,-,-,-	1	MOTOR
DC60-60044B	WASHER-PLAIN	SBC,ID8.4,OD30,T3,-,-,-	3	WEIGHT/L
DC60-60044B	WASHER-PLAIN	SBC,ID8.4,OD30,T3,-,-,-	2	WEIGHT/U
DC60-60049A	WASHER-SPRING	-,ID10.5,OD18,T2.5,-,SIR	1	PULLEY