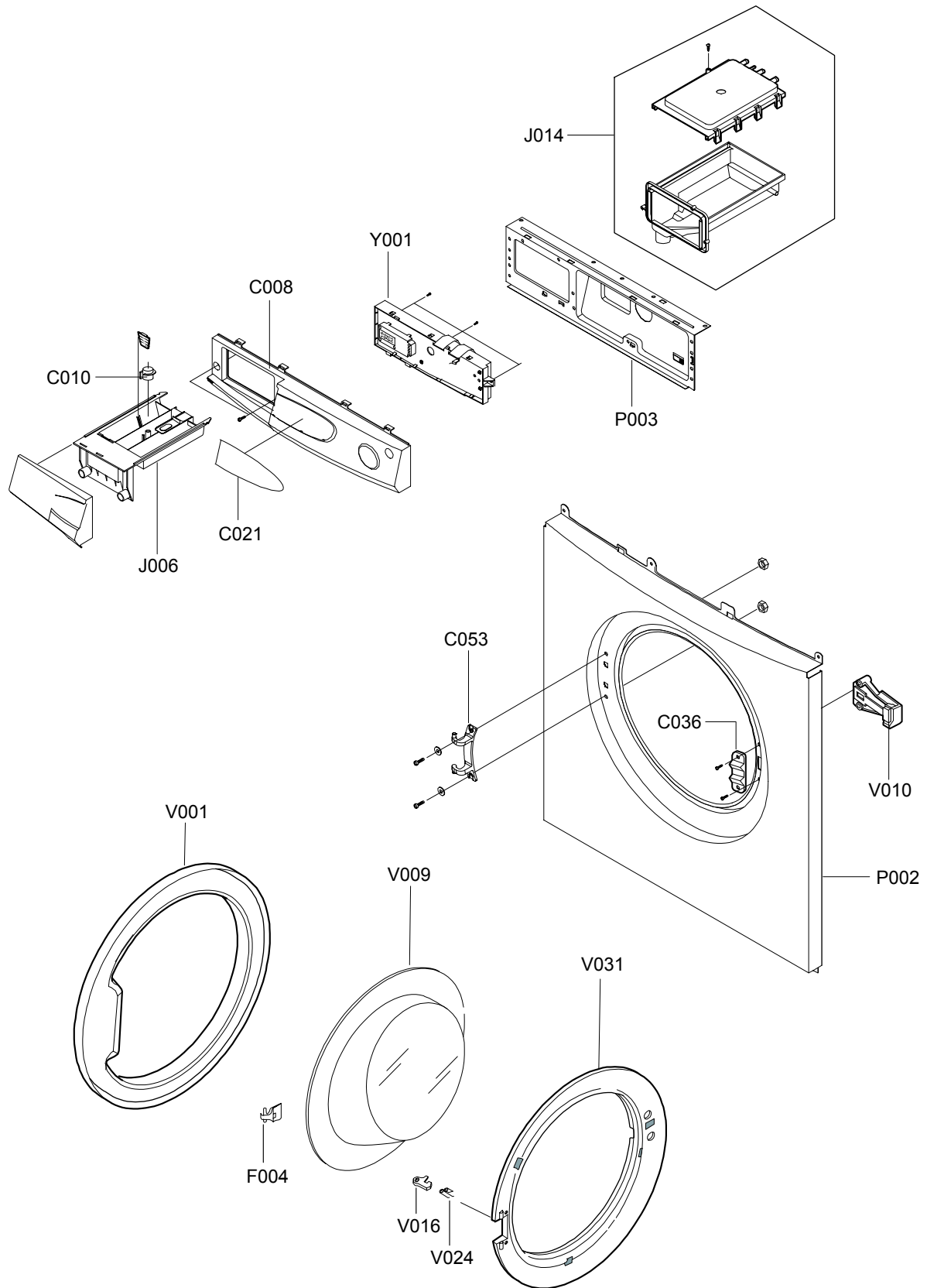
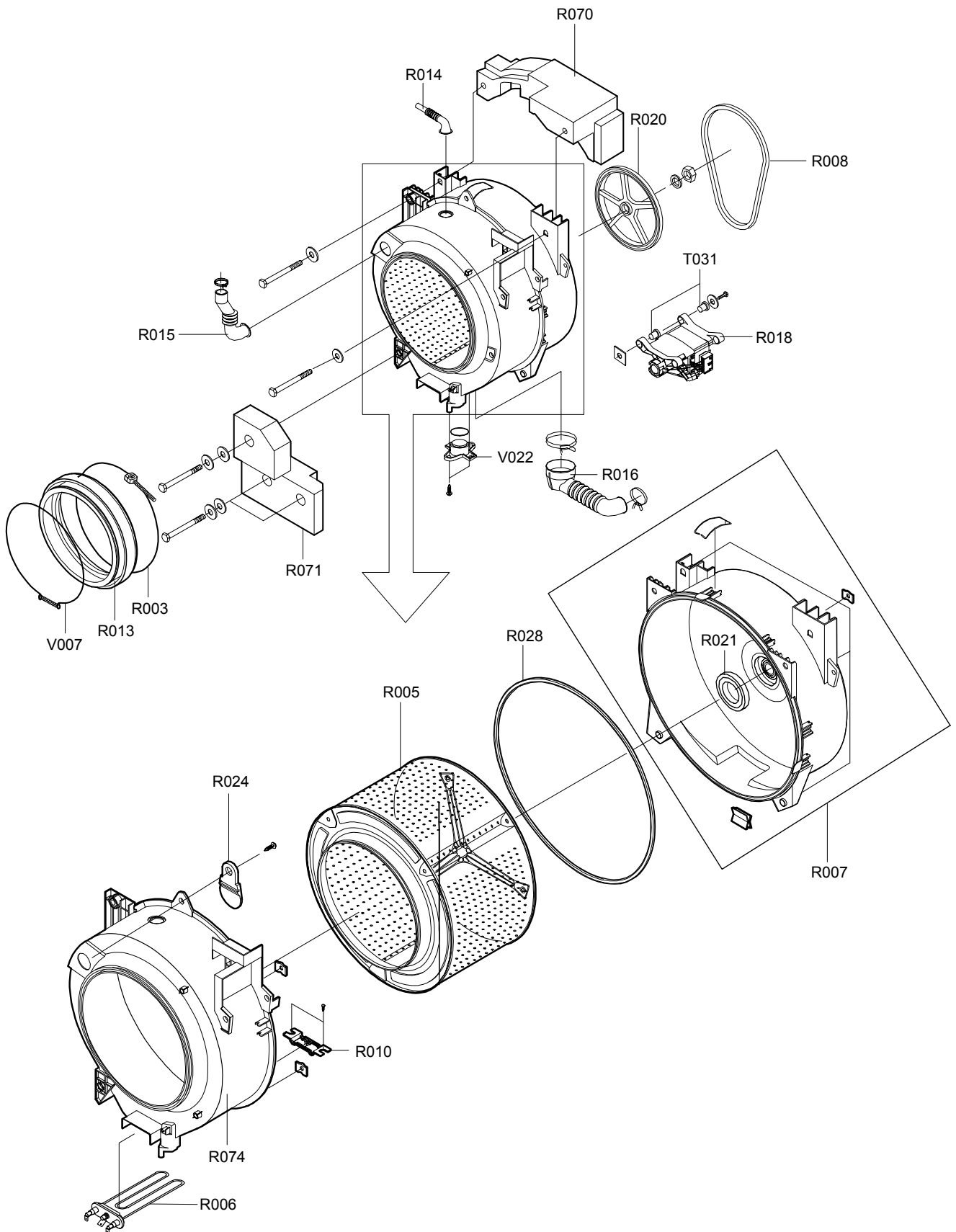
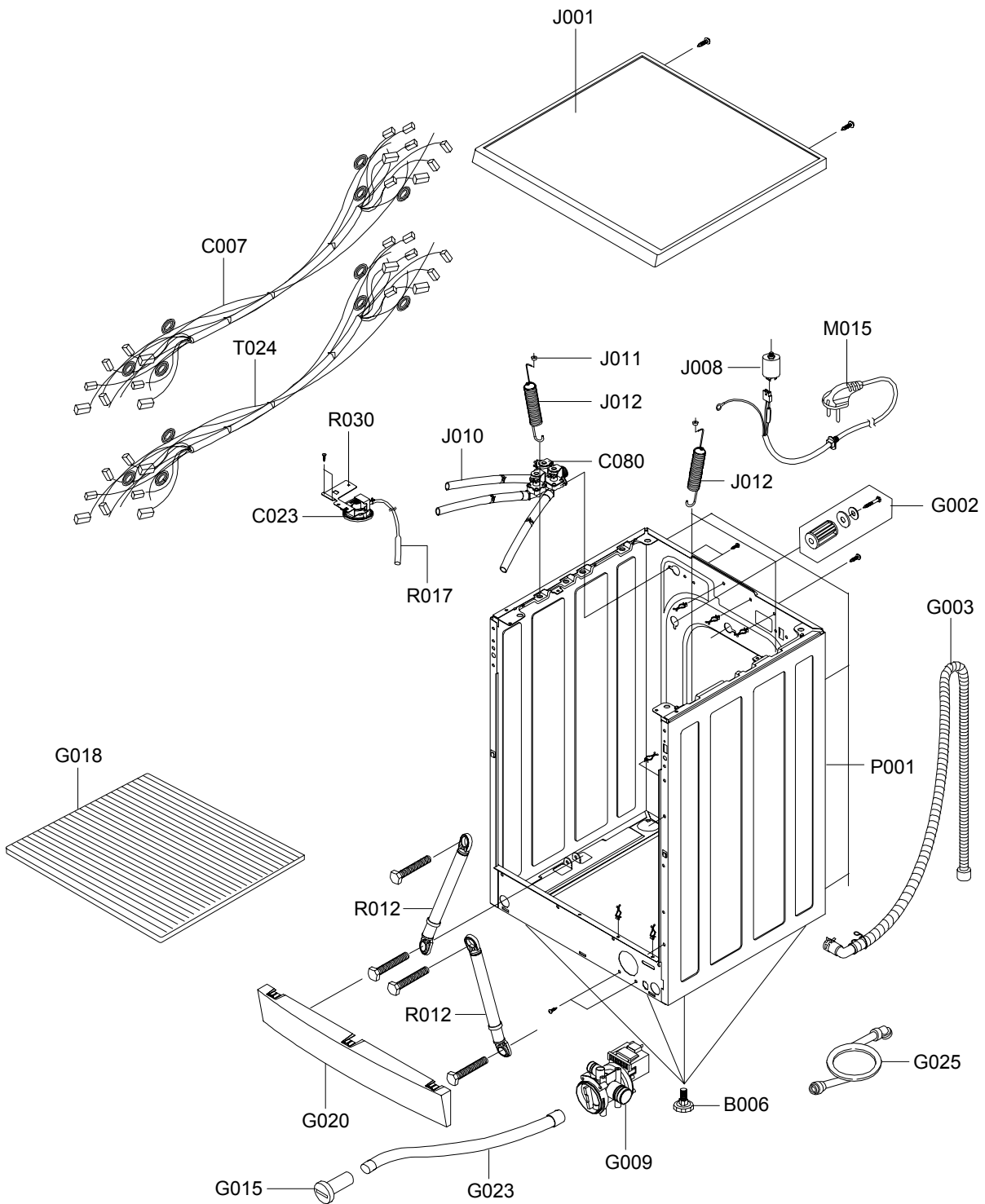

15. TOP(FRONT) - Exploded View



15. TUB - Exploded View



15. CASE - Exploded View



15. Parts List

NO.	CODE NO.	DESCRIPTION;SPECIFICATION	QTY
B006	DC91-12292A	ASSY-LEG;SWF-P12,-	4
C007	DC96-00777A	ASSY-M.WIRE HARNESS;P1043,CIS-M 55cm	1
C008	DC64-00814H	PANEL-CONTROL;P1043GW/YLP,ABS,-,-,-,WH	1
C010	DC61-10687A	CAP-RINSE;SWF-P12,PP,-,-,-,WHT,-,	1
C021	DC64-00864A	INLAY-PANEL;R(P/F/S)1043,PC,T0.5,-,-,WHT	1
C023	DC32-30006P	SENSOR PRESSURE;DN-S14(P1291),TERMINAL-T	1
C036	DC63-00450A	COVER-FRONT;S821,PP,T1.8,-,-,-,WHT,GUI	1
C053	DC61-00889A	HINGE-DOOR;HAUZEN(DOM),ZNDC,-,-,-,-,18	1
C080	DC62-00024F	VALVE-WATER;B1215J,NYLON66/250TRMN,-,-,N	1
F004	DC64-00646A	HANDLE-DOOR;SD455-PJT,POM,-,-,-,WHT,RO	1
G002	DC91-12102A	ASSY-FIXER TUB;SWF-P12,-	5
G003	DC97-00139F	ASSY-HOSE DRAIN(O);P-PJT,PP/L1970/CHINA	1
G009	DC90-11110K	ASSY-PUMP DRAIN;SWF-P12,220V~240V/50Hz	1
G015	DC61-10673A	CAP-DRAIN;SWF-P12,PP(TB53),-,-,-,WHT,-,	1
G018	DC61-20235A	SHUTTER;DANPLA,PP(BB110),WHT,	1
G020	DC61-10672A	COVER-FRONT(L);SWF-P12,PP(BJ-730),-,-,-,	1
G023	DC62-10302A	HOSE-DRAIN;SWF-P12,EPDM,ID5.5,-,-,L220,B	1
G025	DC62-10289B	HOSE-WATER(C);WIP4013SRW,PVC+NYLON,ID10.	1
J001	DC97-00851F	ASSY-COVER TOP;P-PJT/MDF,WOOD/WHT	1
J006	DC61-30348A	BODY-DRAWER;-,-,PP,-,-,-,-,-	1
J008	DC29-00009A	FILTER-EMI;DFC-2715R,P/PV/P2,250V,15A,PI	1
J010	DC67-00051A	HOSE-DRAWER;S1093~S6093,EPDM,-,-,-,BLK	0.46
J011	DC61-60180A	SLEEVE-PLUG;NYLON#6,SEW-720DR,-,-,NTR	3
J012	DC61-70216C	SPRING-HANGER;P1291,HSWR,CD3.5,-,-,L175,	1
J012	DC61-70217C	SPRING-HANGER;P1291,HSWR,CD3.2,-,-,L175,	2
J014	DC97-06572E	ASSY-HOUSING DRAWER;BIG-WASH,P2-PJT,2WAY	1
M015	DC96-00146A	ASSY POWER CORD;UCP2,-,250V/16A,-,-,-,-,	1
P002	DC97-00702A	ASSY-FRAME FRONT;P6091,ROUND-TYPE	1
P003	DC97-00417A	ASSY-FRAME PLATE(U);SWF-P12,FRAME-PLATE(1
P007	DC99-00060A	ASSY-PAINT FRAME;P1091,COLD/P-HOLE-LOWER	1
R003	DC91-12077A	ASSY-CLAMP DIAPHGRAM;SWF-P12,TUB	1
R005	DC97-01463F	ASSY-DRUM;P1205/KRNJM,LEFTER TYPE/NEW-DR	1
R006	DC47-00001A	HEATER;-,-,230V,2000W,230V2000W,-,-,P6091,-,	1
R007	DC97-00214E	ASSY-TUB BACK;SWF-P12/10,BACK/1200/INSID	1
R008	6602-001072	BELT-TIMING GEAR;POLYURETHAN,L1270,J5,ME	1
R010	DC61-00856A	BRACKET-HEATER;SB-PJT,STS430,-,-,-,-,-	1
R012	DC66-00320A	DAMPER-SHOCK;SB-PJT,ABS,-,-,-,-,WHT,AKS-	2
R013	DC61-20219A	DOOR-DIAPHRAGM;EPDM,-,-,-,-,-,GRY,SWF-	1
R014	DC62-10303A	HOSE-AIR;-,-,EPDM,ID24,-,-,L130,BLK,SWF-P1	1
R015	DC62-10305A	HOSE-DRAWER TUB;-,-,EPDM,ID35,-,-,L158,BLK	1
R016	DC62-10304A	HOSE-FILTER TUB;-,-,EPDM,ID65,-,-,L151,BLK	1
R017	DC67-00107A	HOSE-PRESSURE;S821,PE-BLOW,ID13.2,OD6.2,	1

15. Parts List

NO.	CODE NO.	DESCRIPTION;SPECIFICATION	QTY
R018	DC31-00002F	MOTOR-DRUM;HXGM4I,SFW-P12,-,50Hz,WASHING	1
R020	DC66-10176B	PULLEY;ALDC,-,D297,P1291,ID12.5	1
R021	DC62-00008A	SEAL-OIL;- ,NBR(SD35),BLK,-,-,-,NBU(PI15)	1
R024	DC62-20311A	VANE-CHECK;SWF-P12,EPDM,-,-,BLK,-,	1
R028	DC62-40183A	PACKING-TUB;SWF-P12,EPDM,-,-,-,-,BLK,-	1
R030	DC61-40345A	BRACKET-PRESSURE;GI or GA,SWK-P12,T1.0,-	1
R070	DC66-60153A	WEIGHT-BALANCER;SWF-P12,CONCRETE,UPPER,	1
R071	DC66-60154A	WEIGHT-BALANCER;SWF-P12,CONCRETE,LOWER,	1
R074	DC61-30346C	TUB-FRONT;P1405J,FRPP(FRPP15%)SAMBACK,-,	1
T024	DC96-00779A	ASSY-WIRE HARNESS;P1043,CIS-M 55cm/SUB	1
T031	DC61-00041A	CUSHION-MOTOR;SWF-6V,BUTYL,-,-,-,ID16/OD	1
V001	DC63-00391A	COVER-DOOR;HAUZEN(DOM),ABS,-,-,-,-,WHT	1
V007	DC91-12078A	ASSY-WIRE DIAPHRAGM;SWF-P12,FRAME-FRONT	1
V009	DC61-00013A	DOOR-GLASS;GLASS,NTR,SWF-P12	1
V010	DC64-00653A	DOOR-LOCK S/W;DA,PA6-G,-,H82,W50,-,BLK,2	1
V016	DC66-00358A	LEVER-DOOR;SEW-HW105,ZNDC,-,-,-,-,CR-COA	1
V022	DC61-10676A	CAP-TRAP;SWF-P12,PP(TB53),-,-,-,-,	1
V024	DC61-01065A	SPRING-HANDLE;SEW-HR805,STS304,CD1.0,-,O	1
V031	DC61-00888A	HOLDER-GLASS;HAUZEN,ABS,-,-,-,WHT,AUTO+M	1
Y001	MFS-P1043-00	ASSY PCB PARTS;P1043 55CM 5.5KG 1000RPM	1

15. Screw/Bolt List

CODE NO.	DESCRIPTION	SPECIFICATION	REMARK	QTY
6001-001773	SCREW-MACHINE	TH,+,M5,L12,	HINGE+FRAME	2
6002-001006	SCREW-TAPPING	TH,+,2S,M4,L12,-,STS410	DOOR-SW	2
6002-001006	SCREW-TAPPING	TH,+,2S,M4,L12,-,STS410	-	11
DD60-50018A	NUT-FLANGE	-,M5XP0.8,FZY,MSWR10,-	HINGE+FRAME	2
6002-000213	SCREW-TAPPING	TH,+,1,M4,L12,ZPC(YEL),SWRCH18	CLAMP-HOSE+FRAME	1
6002-000239	SCREW-TAPPING	TH,+,2S,M4,L8,ZPC(YEL),SM20C	FRAME+FRAME-FRONT	7
6002-000239	SCREW-TAPPING	TH,+,2S,M4,L8,ZPC(YEL),SM20C	FRAME+PLATE-UPPER	4
6002-000525	SCREW-TAPPING	FH,+,1,M4,L12,PASS,STS304	C-PANEL+FRAME	1
6002-000554	SCREW-TAPPING	PH,+,2S,M4,L12,ZPC(YEL),SWRCH1	PCB+C-PANEL	3
6002-001006	SCREW-TAPPING	TH,+,2S,M4,L12,-,STS410	PUMP+FRAME	2
6002-001327	SCREW-TAPPING	PWH,+,1,M4,L12,NI PLT	SHUTTER	2
6006-001170	SCREW-TAPPING	WS,TH,+,M4,L10,ZPC(YEL)	E/W(SUB)+FRAME(F)	1
6009-001343	SCREW-SPECIAL	PH,TORX,,M4,L10,PASS	P/CORD	1
DC60-40144A	BOLT-HEX	M10,L41,ZPC2(YEL),SM10C/DAMPER	DAMPER+FRAME	2
DC60-40146A	BOLT-SPANER	-,OD36,T2.5,L52,FE,FZY,-,P12	ACCESSORY	1
DC60-40142A	BOLT-HEX	SM10C/FIXER,HEX,M7,L88.4,-,ZPC2(YEL),-,	-	1
DC60-60040A	WASHER-NYLON	-,ID10.5,OD32,T2,-,PBSP-1/2H	FIXER	1
DC60-60044B	WASHER-PLAIN	SBC,ID8.4,OD30,T3,-,-,-	FIXER	1
6002-000239	SCREW-TAPPING	TH,+,2S,M4,L8,ZPC(YEL),SM20C	MAIN PCB1	1
6002-000239	SCREW-TAPPING	TH,+,2S,M4,L8,ZPC(YEL),SM20C	MAIN PCB2	1
6002-000630	SCREW-TAPPING	PH,+,2S,M3,L8,ZPC(YEL),SWRCH18	BD1	1
6002-000630	SCREW-TAPPING	PH,+,2S,M3,L8,ZPC(YEL),SWRCH18	TRIAC1	1
6002-000213	SCREW-TAPPING	TH,+,1,M4,L12,ZPC(YEL),SWRCH18	HOUSING-DRAWER	1
6002-000445	SCREW-TAPPING	TH,+,2S,M4,L18,NTR,STS304	PANEL+FRM+HOUSING-D	2
6002-000554	SCREW-TAPPING	PH,+,2S,M4,L12,ZPC(YEL),SWRCH1	HOUSING-DRAWER	1
6002-001327	SCREW-TAPPING	PWH,+,1,M4,L12,NI PLT	C/TOP+FRAME	2
6003-000226	SCREW-TAPTITE	TH,+,S,M4,L8,ZPC(YEL),SWRCH18A	W/V(C)+FRAME	2
6006-001170	SCREW-TAPPING	WS,TH,+,M4,L10,ZPC(YEL)	B/K-PRESSURE+FRAME	1
6006-001170	SCREW-TAPPING	WS,TH,+,M4,L10,ZPC(YEL)	P/CORD(E/W)	1
6009-001342	SCREW-SPECIAL	TH,+,M5,L11,ZPC(YEL)	FRAME(TOP)	2
6002-000630	SCREW-TAPPING	PH,+,2S,M3,L8,ZPC(YEL),SWRCH18	B/K+PRE-S/W	2
6002-000470	SCREW-TAPPING	TH,+,1,M4,L10,ZPC,SCRCH18A	B/K-C.T	2
DC60-40141A	BOLT-HEX	SM10C/DAMPER,HEX,M8,L66,-,ZPC2(YEL),-,	DAMPER+TUB	2
DC60-50148B	NUT-HEX	SM20C(NYLON),M12,-,ZPC3(YEL),-,HEX,P-PROJECT	PULLEY	1
DC60-60040A	WASHER-NYLON	-,ID10.5,OD32,T2,-,PBSP-1/2H	WEIGHT/L	3
DC60-60044A	WASHER-PLAIN	-,ID10.5,OD30,T3,-,STS304	DAMPER+TUB	2
DC60-60049A	WASHER-SPRING	-,ID10.5,OD18,T2.5,-,SIR	PULLEY	1
DC61-00201A	BRACKET-NUT	SBHG-R,P1291,T3,-,-,-,NO-PAINT/MOTOR	MOTOR	1
6006-001170	SCREW-TAPPING	WS,TH,+,M4,L10,ZPC(YEL)	-	1
DC61-40348B	BRACKET-NUT	SBHG-R,P1291,T3,-,-,-,NO-PAINT	-	2
6002-000213	SCREW-TAPPING	TH,+,1,M4,L12,ZPC(YEL),SWRCH18	CAP-TRAP	2
6002-000444	SCREW-TAPPING	TH,+,2S,M4,L14,NTR,STS304	B/K-HEATER	2
6002-000471	SCREW-TAPPING	TH,+,1,M4,L12,PASS,STS304,-	VANE-CHECK	1
6002-001327	SCREW-TAPPING	PWH,+,1,M4,L12,NI PLT	-	1
DC61-40348B	BRACKET-NUT	SBHG-R,P1291,T3,-,-,-,NO-PAINT	-	5
DC60-40005A	BOLT-HEX	M4,L60,ZPC2(YEL),SS41C,-,-,-,-	-	1
DC60-50010A	NUT-DIAPHRAGM	EGI,M4,-,-,2.5TX20X8	-	1
DC60-50010B	NUT-DIAPHRAGM	EGI,M4.2,-,-,2.5TX20X8	-	1
6011-001492	BOLT-FLANGE	M8,L25,PASS,STS304,NYLOCK,P1.25	-	3
DC97-02412A	ASSY-BOLT	SWF-P12,MOTOR, M8*L62	MOTOR	1
DC97-02412A	ASSY-BOLT	SWF-P12,MOTOR, M8*L62	WEIGHT-BALANCER(U)	2
DC97-02412B	ASSY-BOLT	SWF-P12,WEIHGT(L)/M8*L147	WEIGHT-BALANCER(L)	1
DC97-02412B	ASSY-BOLT	SWF-P12,WEIHGT(L)/M8*L147	WEIGHT-BALANCER(U)	1
DC97-02412C	ASSY-BOLT	SWF-P12,WEIHGT(U)/M8*L215	WEIGHT-BALANCER(U)	1



This Service Manual is a property of Samsung Electronics Co.,Ltd.
Any unauthorized use of Manual can be punished under applicable
International and/or domestic law.

©Samsung Electronics Co., Ltd. 2004 MAY
Printed in Korea
Code No. : DC68-02183A