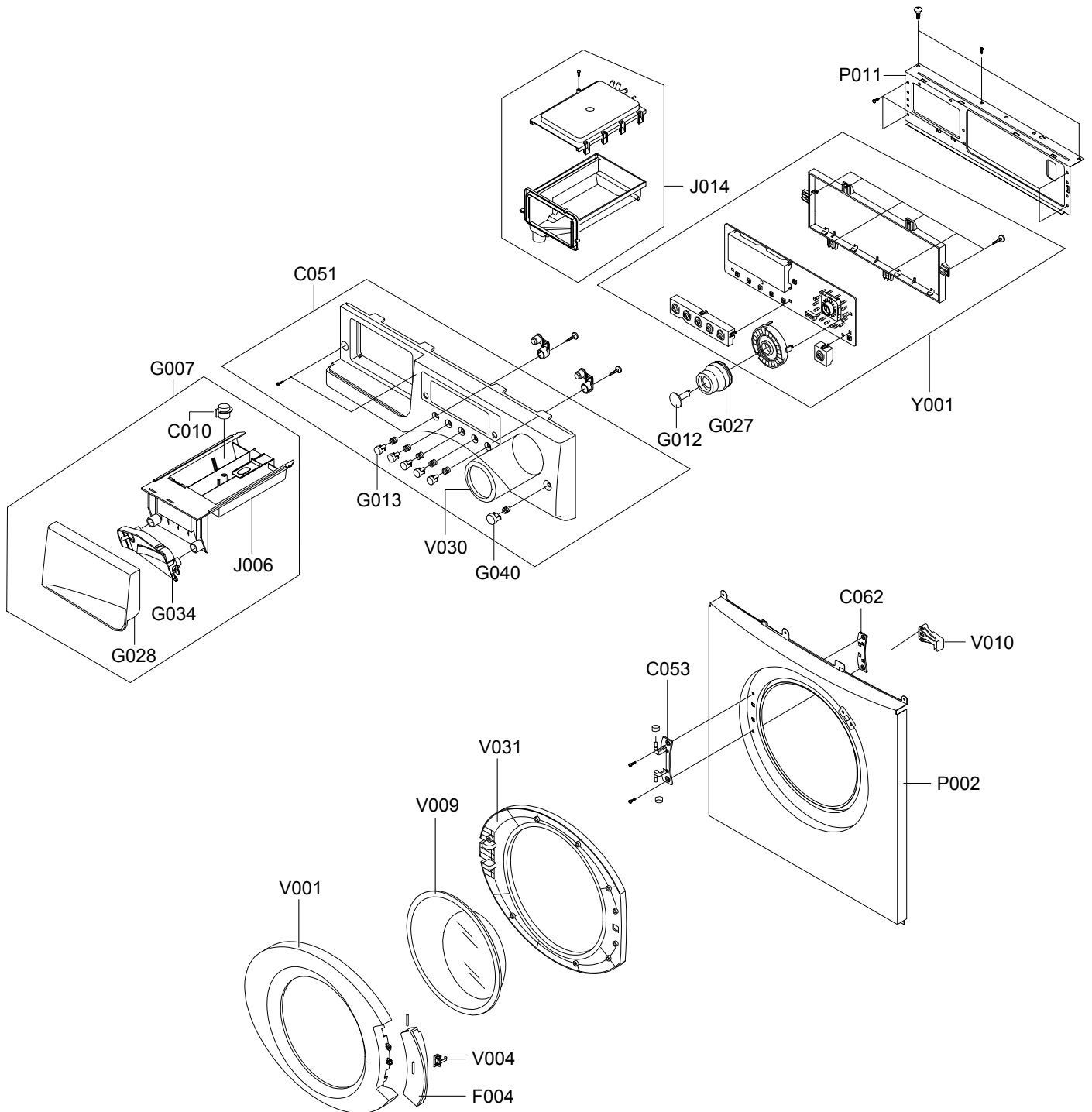
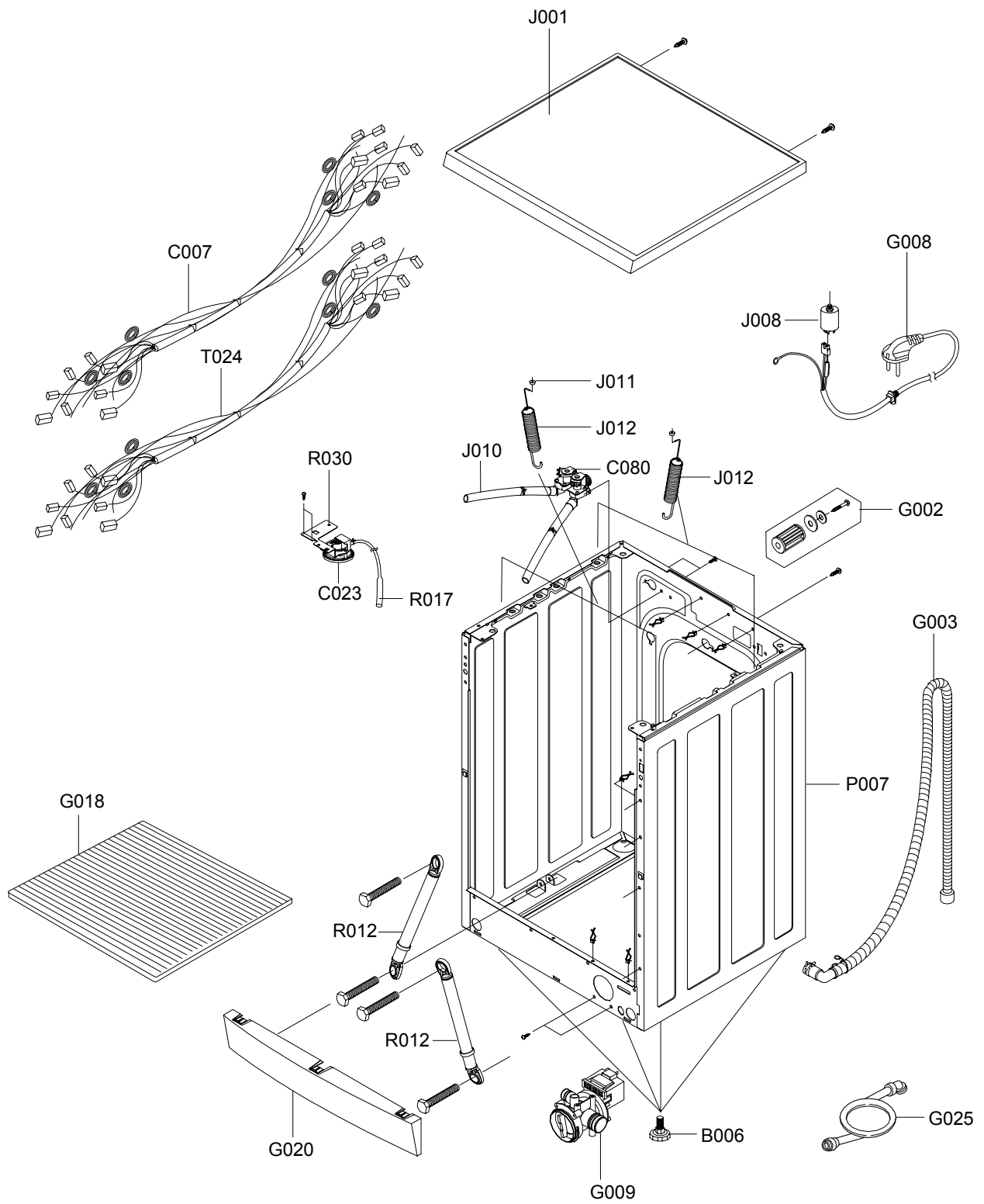

15. TOP(FRONT) - Exploded View



15. CASE - Exploded View



15. Parts List

NO.	CODE NO.	DESCRIPTION	SPECIFICATION	QTY	REMARK
B006	DC97-02079C	ASSY-LEG	SB-PJT,SLIM/25MM/CHINA	4	
C007	DC96-00824A	ASSY-M.WIRE HARNESS	F1245AV,MAIN/CLONE-PJT	1	
C010	DC61-10316B	CAP-RINSE	SEW-740DR,PP(TB-52),WHT,	1	
C023	DC32-30006P	SENSOR PRESSURE	DN-S14(P1291),TERMINAL-TYPE(DC5V)	1	
C051	DC97-06855Z	ASSY-PANEL CONTROL	F1245AVGW/YLP,RUSSIAN/WHITE	1	F1245AVGW
C051	DC97-07886A	ASSY-PANEL CONTROL	F1045AGW/YLP,RUSSIAN/WHITE	1	F1045AGW
C053	DC61-00932A	HINGE-DOOR	Q1636GW/XEU,ZNDC,TS-2 PJT	1	
C080	DC62-00024F	VALVE-WATER	B1215J,NYLON66/250TRMN,NTR,2-WAY(220~240V50/60HZ)ELBI	1	
F004	DC64-00561D	HANDLE-DOOR	Q1636V,ABS,SILVER-SPRAY,TS-2 PJT	1	F1245AVGW
F004	DC64-00561A	HANDLE-DOOR	Q1636,ABS,WHT,TS-2 PJT	1	F1045AGW
G002	DC97-02106A	ASSY-FIXER TUB	S1005J,SLIM-PJT	5	
G003	DC97-00139E	ASSY-HOSE DRAIN(O)	SB-PJT,PP/L1770/CHINA	1	
G007	DC97-07134G	ASSY-PANEL FRONT	CLONE-PJT/F1245AV,WHT/RUSSIA	1	F1245AVGW
G007	DC97-07134H	ASSY-PANEL FRONT	CLONE-PJT/F1045A,WHT/NO-STAMPING/SER	1	F1045AGW
G008	DC96-00146A	ASSY POWER CORD	UCP2,250V/16A,P1291	1	
G009	DC96-00149A	ASSY-PUMP DRAIN	P8091/P6091,220~240V/50HZ	1	
G012	DC64-00559C	BUTTON-ENCODER	Q1636V,ABS,WHT,ICON	1	
G013	DC64-00565A	BUTTON-PUSH	Q1636,ABS,WHT,TS-2 PJT	5	
G018	DC64-00434A	SHUTTER	F1215J/F-PJT,PP,WHT	1	
G020	DC63-00562A	COVER-FRONT(L)	P1445,PC(ABS),WHT,CLON-PJT	1	
G025	DC62-10289B	HOSE-WATER(C)	WIP4013SRW,PVC+NYLON,ID10.2,L1500,GRY,COLD/H19/REFLEX	1	
G027	DC64-00558C	KNOB-ENCODER	Q1636S,ABS,CR-COATING,NON-BRIGHT	1	F1245AVGW
G027	DC64-00558A	KNOB-ENCODER	Q1636,ABS(HG-0760),WHT,TS2-PJ	1	F1045AGW
G028	DC64-00556A	PANEL-DRAWER	Q1636V,ABS(HG-0760),WHT/SAMSUNG,NO-BRIGHT_STAMP	1	F1245AVGW
G028	DC64-00556B	PANEL-DRAWER	Q1636,ABS(HG-0760),WHT/SAMSUNG,NOT-STAMPING	1	F1045AGW
G034	DC64-00570A	HANDLE-DRAWER	Q1636GW/XEU,ABS(HG-0760),WHT,TS-2 PJT	1	
G040	DC64-00567A	BUTTON-PUSH(P)	Q1636V,ABS,WHT,TS-2 PJT	1	
J001	DC97-07889A	ASSY-COVER TOP	F1245AV/WHT/WOOD,CLON-PJT	1	
J006	DC61-00366A	BODY-DRAWER	SL-600,TB-53	1	
J008	DC29-00006B	FILTER-EMI	CDFC-2712R,SLIM,250V,12A,PI38.2*H60,50/60Hz,CEC	1	
J010	DC67-00051A	HOSE-DRAWER	S1093~S6093,EPDM,BLK,SLIM-PJT	0.38	
J010	DC67-00138A	HOSE-DRAWER	F1235AS,EPDM,L92,BLK,AG+	1	
J011	DC61-60180A	SLEEVE-PLUG	NYLON#6,SEW-720DR,NTR	4	
J012	DC61-00708A	SPRING-HANGER	F-PJT,HSWR,CD2.8,L170,D25	2	
J012	DC61-00708B	SPRING-HANGER	F-PJT,HSWR,CD2.8,L181,D25	2	
J014	DC97-06572X	ASSY-HOUSING DRAWER	F1245AV/CLON-PJT,AG+/2WAY/COLD	1	
J014	DC97-02132C	ASSY-HOUSING DRAWER	S1093~S6093/2-WAY,SLIM(U.M/L-ASSY)	1	
P002	DC97-05133A	ASSY-FRAME FRONT	Q1636GW/XEU,TS-2 PJT	1	
P007	DC99-00526A	ASSY-PAINT FRAME	F1245AV,CLON-PJT/WHITE	1	

15. Parts List

NO.	CODE NO.	DESCRIPTION	SPECIFICATION	QTY	REMARK
P011	DC61-01245A	FRAME-PLATE(U)	MW24-PJT,EGI,T0.8,MW24	1	
R003	DC91-12077A	ASSY-CLAMP DIAPHGRAM	SWF-P12,TUB	1	
R005	DC97-01463J	ASSY-DRUM	F-PJT/SD-PJT/LIFTER,STS430/FIXER-DRUM	1	
R006	DC47-00006B	HEATER	KAWAI,P-SLIM MODEL,SUS316L,230V,1900W	1	
R007	DC97-00214K	ASSY-TUB BACK	SWF-P8/P6091,LOW-RPM/NO.3 TUB	1	
R008	6602-001072	BELT-TIMING GEAR	POLYURETHAN,L1270,J5,MEGADYNE,NTR	1	
R010	DC61-00856A	BRACKET-HEATER	SB-PJT,STS430	1	
R012	DC66-00320A	DAMPER-SHOCK	SB-PJT,ABS,WHT,AKS-DAMPER/50N	2	
R013	DC64-00374A	DOOR-DIAPHRAGM	F1225J,EPDM,GRY	1	
R014	DC62-10303A	HOSE-AIR	EPDM,ID24,L130,BLK,SWF-P12/OD47	1	
R015	DC62-10305A	HOSE-DRAWER TUB	EPDM,ID35,L158,BLK,SWF-P12/OD40	1	
R016	DC62-00121A	HOSE-FILTER TUB	S1005J,EPDM,ID65,SLIM-PJT	1	
R017	DC67-00107A	HOSE-PRESSURE	S821,PE-BLOW,ID13.2,OD6.2,NTR	1	
R018	DC31-00002E	MOTOR-DRUM	HXGN2I.02,SFW-P8,50Hz,LOW-RPM,220~240V, WELLING(M&M)_39mm	1	
R020	DC66-00060A	PULLEY	FRPP,D297,SWF-PV2,ID12.5	1	
R021	DC62-00007A	SEAL-OIL	NBR(SD25),BLK,P6091/NBU15	1	
R024	DC62-20311A	VANE-CHECK	SWF-P12,EPDM,BLK,	1	
R025	DC67-00038A	WEIGHT-BALANCER	F-PJT(40CM),CONCREET,UPPER	1	
R026	DC67-00042B	WEIGHT-BALANCER	F1215,GC-150(CHINA),40CM SLIM/LOWER/7KG	1	
R028	DC62-40183A	PACKING-TUB	SWF-P12,EPDM,BLK	1	
R030	DC61-40345A	BRACKET-PRESSURE	GI or GA,SWK-P12,T1.0	1	
R074	DC61-00365B	TUB-FRONT	SL-600,FRPP(GR15%)SAMBAK	1	
T024	DC96-00570B	ASSY-WIRE HARNESS	SEW-HW/HR125/3HW/3HR,SUB/6PCABLE/TUBE ADD	1	
T031	DC61-00041A	CUSHION-MOTOR	SWF-6V,BUTYL,ID16/OD20,	1	
V001	DC63-00411D	COVER-DOOR	Q1636V,ABS,SILVER-SPARY,TS-2 PJT	1	F1245AVGW
V001	DC63-00411A	COVER-DOOR	Q1636,ABS,WHT,TS-2 PJT	1	F1045AGW
V004	DC97-05111A	ASSY-LEVER DOOR	Q1636GW/XEU,TS-2 PJT	1	
V007	DC91-12078A	ASSY-WIRE DIAPHRAGM	SWF-P12,FRAME-FRONT	1	
V009	DC61-00013A	DOOR-GLASS	GLASS,NTR,SWF-P12	1	
V010	DC64-00653A	DOOR-LOCK S/W	DA,PA6-G,H82,W50,BLK,250V/16A/ROLD	1	
V030	DC64-00562A	WINDOW-ENCODER	Q1636,ACRYL,NTR,HOLE14	1	
V031	DC61-00931B	HOLDER-GLASS	Q1636V,PP(TB53),GRAY,TS-2 PJT	1	F1245AVGW
V031	DC61-00931A	HOLDER-GLASS	Q1636,PP(TB53),WHT,TS-2 PJT	1	F1045AGW
Y001	MES-AGMOD-S2	ASSY PCB PARTS	TORNADO-AG+ CHINA	1	
Y001	MFS-F1245A-00	ASSY PCB PARTS	MFS-F1245A-00 AG+ Q2	1	F1245AVGW
Y001	MFS-F1045A-00	ASSY PCB PARTS	MFS-F1045A-00 AG+ Q2	1	F1045AGW

Screw/Bolt List

CODE NO.	DESCRIPTION	SPECIFICATION	REMARK	QTY
6002-000471	SCREW-TAPPING	TH,+,1,M4,L12,PASS,STS304,-	D-S/W+FRM-FRONT	2
6001-001773	SCREW-MACHINE	TH,+,M5,L12,	HINGE+FRAME	2
6002-001286	SCREW-TAPPING	FH,+,1,M4,L16,NTR,STS304,-	C-DOOR+H-GLASS	11
6002-000213	SCREW-TAPPING	TH,+,1,M4,L12,ZPC(YEL),SWRCH18	CLAMP-HOSE+FRAME	1
6002-000239	SCREW-TAPPING	TH,+,2S,M4,L8,ZPC(YEL),SM20C	FRAME+FRAME-FRONT	7
6002-000239	SCREW-TAPPING	TH,+,2S,M4,L8,ZPC(YEL),SM20C	FRAME+PLATE-UPPER	4
6002-000525	SCREW-TAPPING	FH,+,1,M4,L12,PASS,STS304	C-PANEL+FRAME	1
6002-000554	SCREW-TAPPING	PH,+,2S,M4,L12,ZPC(YEL),SWRCH1	PCB+C-PANEL	5
6002-001006	SCREW-TAPPING	TH,+,2S,M4,L12,-,STS410	PUMP+FRAME	2
6002-001327	SCREW-TAPPING	PWH,+,1,M4,L12,NI PLT	SHUTTER	2
6006-001170	SCREW-TAPPING	WS,TH,+,M4,L10,ZPC(YEL)	E/W(SUB)+FRAME(F)	1
6006-001170	SCREW-TAPPING	WS,TH,+,M4,L10,ZPC(YEL)	FILTER-EMI	1
6009-001343	SCREW-SPECIAL	PH,TORX,,M4,L10,PASS	P/CORD	1
DC60-40144A	BOLT-HEX	M10,L41,ZPC2(YEL),SM10C/DAMPER	DAMPER+FRAME	2
DC60-40146A	BOLT-SPANER	-,OD36,T2.5,L52,FE,FZY,-,P12	ACCESSORY	1
6011-001421	BOLT-FLANGE	M7,L61(29.4),ZPC(YEL),SWRCH18A	-	1
DC60-60040A	WASHER-NYLON	-,ID10.5,OD32,T2,-,PBSD-1/2H	FIXER	1
DC60-60044B	WASHER-PLAIN	SBC,ID8.4,OD30,T3,-,-	FIXER	1
6002-000213	SCREW-TAPPING	TH,+,1,M4,L12,ZPC(YEL),SWRCH18	BUTTON-WINDOW(L&R)	2
6002-000213	SCREW-TAPPING	TH,+,1,M4,L12,ZPC(YEL),SWRCH18	HOUSING-DRAWER	1
6002-000213	SCREW-TAPPING	TH,+,1,M4,L12,ZPC(YEL),SWRCH18	SUB PCB-ASSY+FRAME	2
6002-000445	SCREW-TAPPING	TH,+,2S,M4,L18,NTR,STS304	PANEL+FRM+HOUSING-D	2
6002-000554	SCREW-TAPPING	PH,+,2S,M4,L12,ZPC(YEL),SWRCH1	HOUSING-DRAWER	1
6002-001327	SCREW-TAPPING	PWH,+,1,M4,L12,NI PLT	C/TOP+FRAME	2
6003-000226	SCREW-TAPTITE	TH,+,S,M4,L8,ZPC(YEL),SWRCH18A	GUIDE WATER+FRAME	2
6003-000226	SCREW-TAPTITE	TH,+,S,M4,L8,ZPC(YEL),SWRCH18A	W/V+FRAME	2
6006-001170	SCREW-TAPPING	WS,TH,+,M4,L10,ZPC(YEL)	B/K-PRESSURE+FRAME	1
6006-001170	SCREW-TAPPING	WS,TH,+,M4,L10,ZPC(YEL)	EMI-EARTH+FRAME	1
6006-001170	SCREW-TAPPING	WS,TH,+,M4,L10,ZPC(YEL)	P/CORD(E/W)	1
6009-001342	SCREW-SPECIAL	TH,+,M5,L11,ZPC(YEL)	FRAME(TOP)	2
6002-000630	SCREW-TAPPING	PH,+,2S,M3,L8,ZPC(YEL),SWRCH18	B/K+PRE-S/W	2
6011-001421	BOLT-FLANGE	M7,L61(29.4),ZPC(YEL),SWRCH18A	WEIGHT(L)	1
6011-001447	BOLT-HEX	M8,L123(25),ZPC(YEL),SWRCH18A,WP,NYLOCK	WEIGHT(U)	1
6011-001448	BOLT-HEX	M8,L170(25),ZPC(YEL),SWRCH18A,WP,NYLOCK	WEIGHT(U)	1
6011-001452	BOLT-HEX	M10,L20,ZPC(YEL),SWCH10AK,ASSY(WS)	PULLEY	1
DC60-40141A	BOLT-HEX	SM10C/DAMPER,HEX,M8,L66,-,ZPC2(YEL),-,	DAMPER+TUB	2
DC60-50148B	NUT-HEX	SM20C(NYLON),M12,-,ZPC3(YEL),-,HEX,P-PROJECT	PULLEY	1
DC60-60044A	WASHER-PLAIN	-,ID10.5,OD30,T3,-,STS304	DAMPER+TUB	2
DC61-00201A	BRACKET-NUT	SBHG-R,P1291,T3,-,-,NO-PAINT/MOTOR	MOTOR	1
6006-001170	SCREW-TAPPING	WS,TH,+,M4,L10,ZPC(YEL)	-	1
DC61-40348B	BRACKET-NUT	SBHG-R,P1291,T3,-,-,NO-PAINT	-	2
6011-001492	BOLT-FLANGE	M8,L25,PASS,STS304,NYLOCK,P1.25	-	3
6002-000444	SCREW-TAPPING	TH,+,2S,M4,L14,NTR,STS304	B/K-HEATER	2
6002-000471	SCREW-TAPPING	TH,+,1,M4,L12,PASS,STS304,-	VANE-CHECK	1
DC61-00201A	BRACKET-NUT	SBHG-R,P1291,T3,-,-,NO-PAINT/MOTOR	-	1
DC61-40348B	BRACKET-NUT	SBHG-R,P1291,T3,-,-,NO-PAINT	-	2
DC60-40005A	BOLT-HEX	M4,L60,ZPC2(YEL),SS41C,-,-,-	-	1
DC60-50010A	NUT-DIAPHRAGM	EG1,M4,-,-,2.5TX20X8	-	1
DC60-50010B	NUT-DIAPHRAGM	EG1,M4.2,-,-,2.5TX20X8	-	1
DC97-02412A	ASSY-BOLT	SWF-P12,MOTOR, M8*L62	MOTOR	1
DC97-02412A	ASSY-BOLT	SWF-P12,MOTOR, M8*L62	WEIGHT BALANCE(R)	1
DC97-02412A	ASSY-BOLT	SWF-P12,MOTOR, M8*L62	WEIGHT-BALANCER(L)	1
DC99-00525A	ASSY-PAINT	F1245AV-F1045A,COLD/AG+	-	1
6002-000213	SCREW-TAPPING	TH,+,1,M4,L12,ZPC(YEL),SWRCH18	FRAME+LOWER PLATE	2



This Service Manual is a property of Samsung Electronics Co.,Ltd.
Any unauthorized use of Manual can be punished under applicable
International and/or domestic law.

©Samsung Electronics Co., Ltd. 2004 JULY
Printed in Korea
Code No. : DC68-02213A