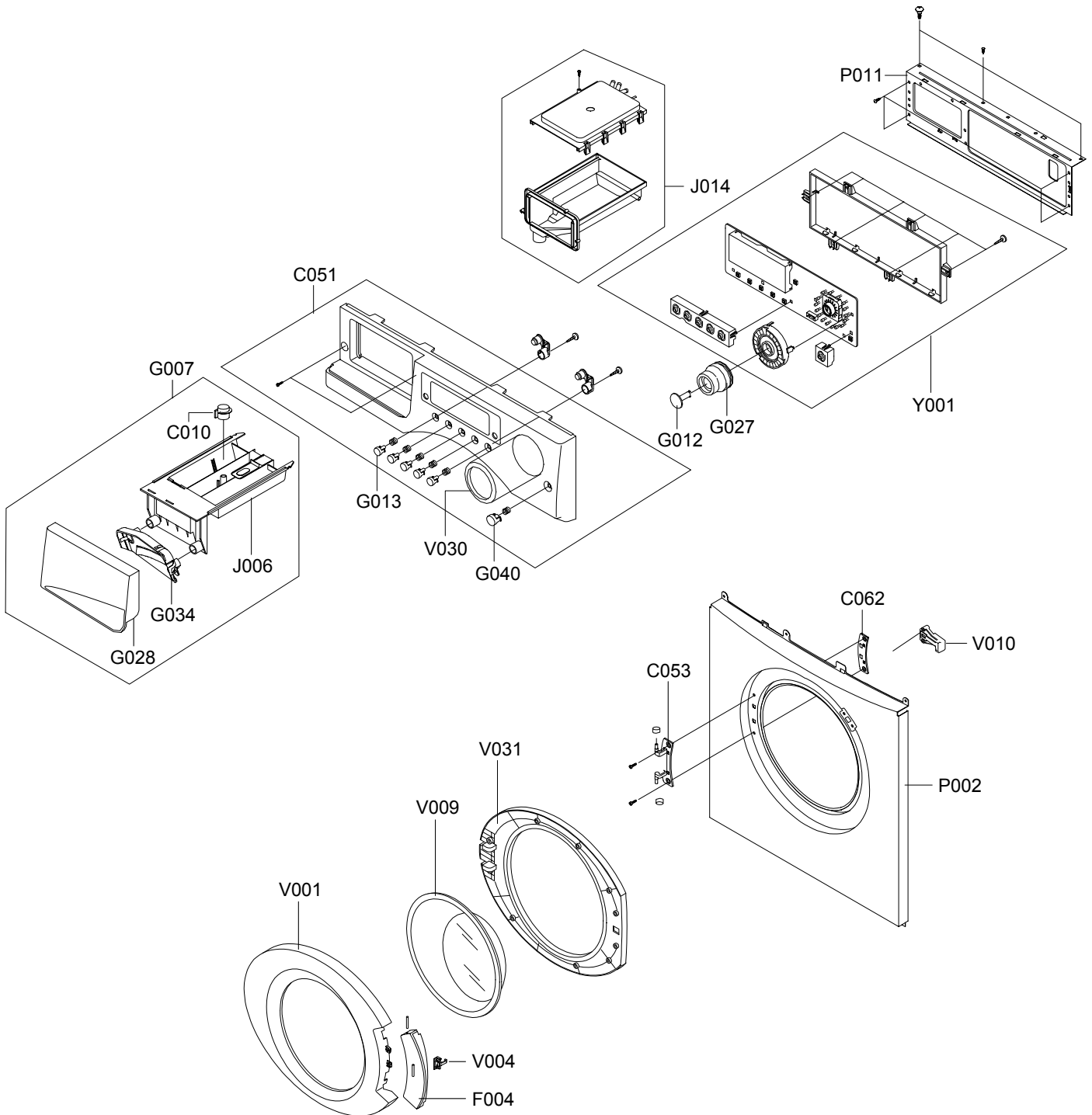
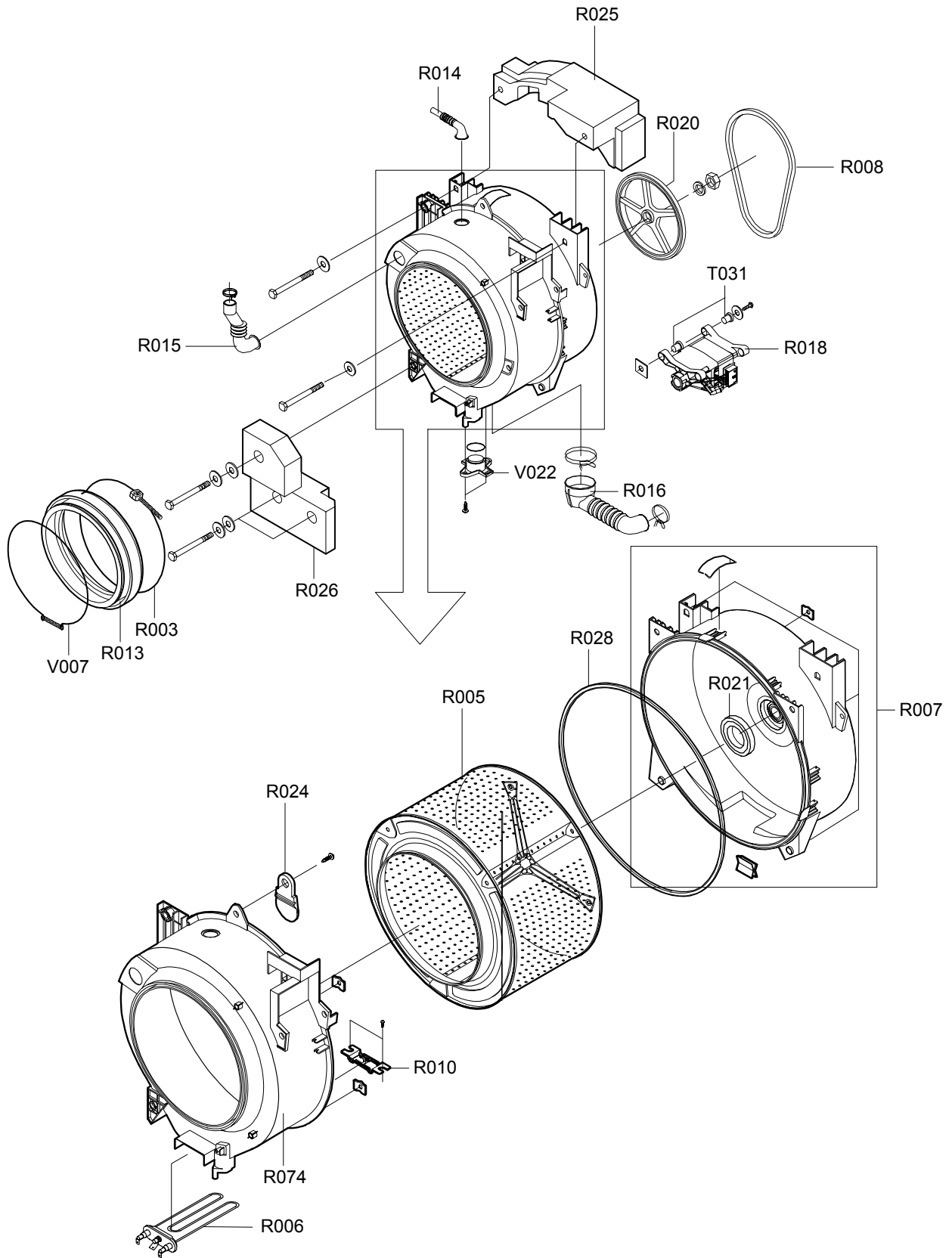


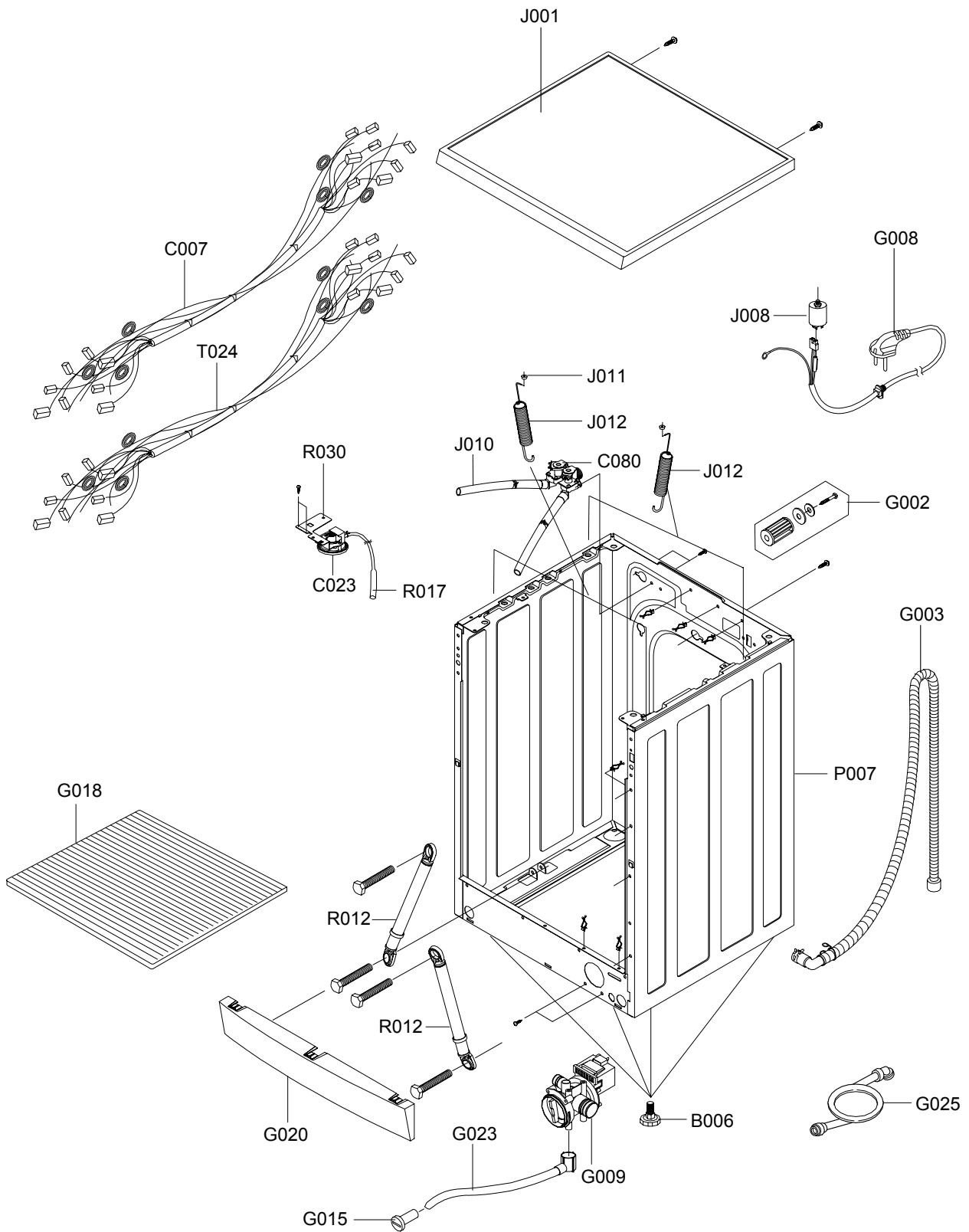
15. TOP(FRONT) - EXPLODED VIEW



15. TUB - EXPLODED VIEW



15. CASE - EXPLODED VIEW



15. PARTS LIST

NO.	CODE NO.	DESCRIPTION	SPECIFICATION	QTY	REMARK
B006	DC91-12292A	ASSY-LEG	SWF-P12,-	4	
C007	DC96-00829A	ASSY-M.WIRE HARNESS	B1445AV~B1045A,MAIN/CLONE-PJT	1	
C010	DC61-10687A	CAP-RINSE	SWF-P12,PP,-,-,-,WHT,-,	1	
C023	DC32-30006P	SENSOR PRESSURE	DN-S14(P1291),TERMINAL-TYPE(DC5V)	1	
C051	DC97-06855W	ASSY-PANEL CONTROL	B1445AVGW/YLP,RUSSIAN/WHITE	1	B1445AV
C051	DC97-06855X	ASSY-PANEL CONTROL	B1245AVGW/YLP,RUSSIAN/WHITE	1	B1245AV
C051	DC97-06855Y	ASSY-PANEL CONTROL	B1045AGW/YLP,RUSSIAN/WHITE	1	B1045A
C053	DC61-00932A	HINGE-DOOR	Q1636GW/XEU,ZNDC,-,-,-,-,TS-2 PJT	1	
C080	DC62-00024F	VALVE-WATER	B1215J,NYLON66/250TRMN,-,-,NTR,2-WAY(220~240V50/60HZ)ELBI	1	
F004	DC64-00561D	HANDLE-DOOR	Q1636V,ABS,-,-,-,-,SILVER-SPRAY,TS-2 PJT	1	B1445AV B1245AV
F004	DC64-00561A	HANDLE-DOOR	Q1636,ABS,-,-,-,-,WHT,TS-2 PJT	1	B1045A
G002	DC91-12102A	ASSY-FIXER TUB	SWF-P12,-	5	
G003	DC97-00139F	ASSY-HOSE DRAIN(O)	P-PJT,PP/L1970/CHINA	1	
G007	DC97-05128A	ASSY-PANEL FRONT	Q1636V/WHT,SAMSUNG/STAMP	1	B1445AV B1245AV
G007	DC97-05128B	ASSY-PANEL FRONT	Q1636,WHT/SAMSUNG,NO-STAMP	1	B1045A
G008	DC96-00146A	CBF-POWER CORD	UCP2,-,250V/16A,-,-,-,-,-,P1291,-	1	
G009	DC90-11110K	ASSY-PUMP DRAIN	SWF-P12,220V~240V/50Hz	1	
G012	DC64-00559C	BUTTON-ENCODER	Q1636V,ABS,-,-,WHT,ICON	1	
G013	DC64-00565A	BUTTON-PUSH	Q1636,ABS,-,-,WHT,TS-2 PJT	5	
G015	DC61-10673A	CAP-DRAIN	SWF-P12,PP(TB53),-,-,-,WHT,-,	1	
G018	DC61-20235A	SHUTTER	DANPLA,PP(BB110),WHT,	1	
G020	DC63-00562A	COVER-FRONT(L)	P1445,PC(ABS),-,-,-,-,WHT,CLON-PJT	1	
G023	DC62-10302A	HOSE-DRAIN	SWF-P12,EPDM,ID5.5,-,-,L220,BLK,OD9.5	1	
G025	DC62-10289B	HOSE-WATER(C)	WIP4013SRW,PVC+NYLON,ID10.2,-,-,L1500,GRY,COLD/H19/REFLEX	1	
G027	DC64-00558C	KNOB-ENCODER	Q1636S,ABS,-,-,-,-,CR-COATING,-,NON-BRIGHT	1	B1445AV B1245AV
G027	DC64-00558A	KNOB-ENCODER	Q1636,ABS(HG-0760),-,-,-,-,WHT,-,TS2-PJ	1	B1045A
G028	DC64-00556A	PANEL-DRAWER	Q1636V,ABS(HG-0760),-,-,-,-,WHT/SAMSUNG,NO-BRIGHT_STAMP	1	B1445AV B1245AV
G028	DC64-00556B	PANEL-DRAWER	Q1636,ABS(HG-0760),-,-,-,-,WHT/SAMSUNG,NOT-STAMPING	1	B1045A
G034	DC64-00570A	HANDLE-DRAWER	Q1636GW/XEU,ABS(HG-0760),-,-,-,-,WHT,TS-2 PJT	1	
G040	DC64-00567A	BUTTON-PUSH(P)	Q1636V,ABS,-,-,WHT,TS-2 PJT	1	
J001	DC97-07874A	ASSY-COVER TOP	B1445AV/WHT/WOOD,CLON-PJT	1	
J006	DC61-30348A	BODY-DRAWER	-,PP,-,-,-,-,-	1	
J008	DC29-00009A	FILTER-EMI	DFC-2715R,P/PV/P2,250V,15A,PI38.2XH60,-,-,VDE,-,-	1	
J010	DC67-00051A	HOSE-DRAWER	S1093~S6093,EPDM,-,-,-,-,BLK,SLIM-PJT	0.52	
J010	DC67-00138A	HOSE-DRAWER	F1235AS,EPDM,-,-,-,L92,BLK,AG+	1	
J011	DC61-60180A	SLEEVE-PLUG	NYLON#6,SEW-720DR,-,-,NTR	3	
J012	DC61-70216C	SPRING-HANGER	P1291,HSWR,CD3.5,-,-,L175,-,-,-,-,-	1	
J012	DC61-70217C	SPRING-HANGER	P1291,HSWR,CD3.2,-,-,L175,-,-,-,-,-	2	
J014	DC97-06572W	ASSY-HOUSING DRAWER	B1445AV/CLON-PJT,AG+/2WAY/COLD	1	

15. PARTS LIST

NO.	CODE NO.	DESCRIPTION	SPECIFICATION	QTY	REMARK
J014	DC97-03244A	ASSY-HOUSING DRAWER	B1215J,FOR/2WAY	1	
P002	DC97-05133A	ASSY-FRAME FRONT	Q1636GW/XEU,TS-2 PJT	1	
P007	DC99-00524A	ASSY-PAINT FRAME	B1445AV,CLON-PJT/WHITE	1	
P011	DC61-01245A	FRAME-PLATE(U)	MW24-PJT,EGI,-,-,T0.8,-,-,MW24	1	
R003	DC91-12077A	ASSY-CLAMP DIAPHRAGM	SWF-P12,TUB	1	
R005	DC97-01463F	ASSY-DRUM	P1205/KRNJM,LEFTER TYPE/NEW-DRUM	1	
R006	DC47-00007A	HEATER	-,DRUM-MDL,SUS316L,-,-,230V,20,-,-,2000W	1	
R007	DC97-00214D	ASSY-TUB BACK	SWF-P14,BACK/1400/INSIDE-ASY	1	B1445AV
R007	DC97-00214E	ASSY-TUB BACK	SWF-P12/10,BACK/1200/INSIDE-ASY	1	B1245AV B1045A
R008	6602-001072	BELT-TIMING GEAR	POLYURETHAN,L1270,J5,MEGADYNE,NTR	1	
R010	DC61-00856A	BRACKET-HEATER	SB-PJT,STS430,-,-,-,-	1	
R012	DC66-00320A	DAMPER-SHOCK	SB-PJT,ABS,-,-,-,-,WHT,AKS-DAMPER/50N	2	
R013	DC61-20219A	DOOR-DIAPHRAGM	EPDM,-,-,-,-,-,GRY,SWF-P12(WASH)	1	
R014	DC62-10303A	HOSE-AIR	-,EPDM,ID24,-,-,L130,BLK,SWF-P12/OD47	1	
R015	DC62-10305A	HOSE-DRAWER TUB	-,EPDM,ID35,-,-,L158,BLK,SWF-P12/OD40	1	
R016	DC62-10304A	HOSE-FILTER TUB	-,EPDM,ID65,-,-,L151,BLK,SWF-P12/OD70	1	
R017	DC67-00107A	HOSE-PRESSURE	S821,PE-BLOW,ID13.2,OD6.2,-,-,NTR,-	1	
R018	DC31-00002F	MOTOR-DRUM	HXGM4I,SFW-P12,-,50Hz,WASHING 40W,SPINNING 400W,HIGH RPM,-,220~240V,INSULATED CL	1	
R020	DC66-10176B	PULLEY	ALDC,-,D297,P1291,ID12.5	1	
R021	DC62-00008A	SEAL-OIL	-,NBR(SD35),BLK,-,-,-,NBU(PI15)	1	
R024	DC62-20311A	VANE-CHECK	SWF-P12,EPDM,-,-,-,-,BLK,-,	1	
R025	DC66-60153A	WEIGHT-BALANCER	SWF-P12,CONCRETE,UPPER,	1	
R026	DC66-60154A	WEIGHT-BALANCER	SWF-P12,CONCRETE,LOWER,	1	
R028	DC62-40183A	PACKING-TUB	SWF-P12,EPDM,-,-,-,-,BLK,-,-	1	
R030	DC61-40345A	BRACKET-PRESSURE	GI or GA,SWK-P12,T1.0,-,-,-,-	1	
R074	DC61-30346C	TUB-FRONT	P1405J,FRPP(FRPP15%)SAMBAC,-,-,-,-	1	
T024	DC96-00570B	ASSY-WIRE HARNESS	SEW-HW/HR125/3HW/3HR,SUB/6PCABLE/TUBE ADD	1	
T031	DC61-00041A	CUSHION-MOTOR	SWF-6V,BUTYL,-,-,-,-,ID16/OD20,	1	
V001	DC63-00411D	COVER-DOOR	Q1636V,ABS,-,-,-,-,-,SILVER-SPARY,TS-2 PJT	1	B1445AV B1245AV
V001	DC63-00411A	COVER-DOOR	Q1636,ABS,-,-,-,-,-,WHT,TS-2 PJT	1	B1045A
V004	DC97-05111A	ASSY-LEVER DOOR	Q1636GW/XEU,TS-2 PJT	1	
V007	DC91-12078A	ASSY-WIRE DIAPHRAGM	SWF-P12,FRAME-FRONT	1	
V009	DC61-00013A	DOOR-GLASS	GLASS,NTR,SWF-P12	1	
V010	DC64-00653A	DOOR-LOCK S/W	DA,PA6-G,-,H82,W50,-,BLK,250V/16A/ROLD	1	
V022	DC61-10676A	CAP-TRAP	SWF-P12,PP(TB53),-,-,-,-,-,	1	
V030	DC64-00562A	WINDOW-ENCODER	Q1636,ACRYL,-,-,-,-,NTR,HOLE14	1	
V031	DC61-00931B	HOLDER-GLASS	Q1636V,PP(TB53),-,-,-,-,GRAY,TS-2 PJT	1	B1445AV B1245AV
V031	DC61-00931A	HOLDER-GLASS	Q1636,PP(TB53),-,-,-,-,WHT,TS-2 PJT	1	B1045A
Y001	MES-AGMOD-S2	ASSY PCB PARTS	TORNADO-AG+ CHINA	1	B1445AV B1245AV B1045A
Y001	MFS-B1445A-00	ASSY PCB PARTS	MFS-B1445-00 AG+ Q2	1	B1445AV
Y001	MFS-B1245A-00	ASSY PCB PARTS	MFS-B1245-00 AG+ Q2	1	B1245AV
Y001	MFS-B1045A-00	ASSY PCB PARTS	MFS-B1045A-00 AG+ Q2	1	B1045A

16. SCREW BOLT LIST

CODE NO.	DESCRIPTION	SPECIFICATION	REMARK	QTY
6002-000471	SCREW-TAPPING	TH,+,1,M4,L12,PASS,STS304,-	D-S/W+FRM-FRONT	2
6001-001773	SCREW-MACHINE	TH,+,M5,L12,	HINGE+FRAME	2
6002-001286	SCREW-TAPPING	FH,+,1,M4,L16,NTR,STS304,-	C-DOOR+H-GLASS	11
6002-000213	SCREW-TAPPING	TH,+,1,M4,L12,ZPC(YEL),SWRCH18	CLAMP-HOSE+FRAME	1
6002-000239	SCREW-TAPPING	TH,+,2S,M4,L8,ZPC(YEL),SM20C	FRAME+FRAME-FRONT	7
6002-000239	SCREW-TAPPING	TH,+,2S,M4,L8,ZPC(YEL),SM20C	FRAME+PLATE-UPPER	4
6002-000525	SCREW-TAPPING	FH,+,1,M4,L12,PASS,STS304	C-PANEL+FRAME	1
6002-000554	SCREW-TAPPING	PH,+,2S,M4,L12,ZPC(YEL),SWRCH1	PCB+C-PANEL	6
6002-001006	SCREW-TAPPING	TH,+,2S,M4,L12,-,STS410	PUMP+FRAME	2
6002-001327	SCREW-TAPPING	PWH,+,1,M4,L12,NI PLT	SHUTTER	2
6006-001170	SCREW-TAPPING	WS,TH,+,M4,L10,ZPC(YEL)	E/W(SUB)+FRAME(F)	1
6009-001343	SCREW-SPECIAL	PH,TORX,,M4,L10,PASS	P/CORD	1
DC60-40144A	BOLT-HEX	M10,L41,ZPC2(YEL),SM10C/DAMPER	DAMPER+FRAME	2
DC60-40146A	BOLT-SPANER	-,OD36,T2.5,L52,FE,FZY,-,P12	ACCESSORY	1
DC60-40142A	BOLT-HEX	SM10C/FIXER,HEX,M7,L88.4,-,ZPC2(YEL),-,	-	1
DC60-60040A	WASHER-NYLON	-,ID10.5,OD32,T2,-,PBSP-1/2H	FIXER	1
DC60-60044B	WASHER-PLAIN	SBC,ID8.4,OD30,T3,-,-	FIXER	1
6002-000213	SCREW-TAPPING	TH,+,1,M4,L12,ZPC(YEL),SWRCH18	BUTTON-WINDOW(L&R)	2
6002-000213	SCREW-TAPPING	TH,+,1,M4,L12,ZPC(YEL),SWRCH18	HOUSING-DRAWER	1
6002-000213	SCREW-TAPPING	TH,+,1,M4,L12,ZPC(YEL),SWRCH18	SUB PCB-ASSY+FRAME	2
6002-000445	SCREW-TAPPING	TH,+,2S,M4,L18,NTR,STS304	PANEL+FRM+HOUSING-D	2
6002-000554	SCREW-TAPPING	PH,+,2S,M4,L12,ZPC(YEL),SWRCH1	HOUSING-DRAWER	1
6002-001327	SCREW-TAPPING	PWH,+,1,M4,L12,NI PLT	C/TOP+FRAME	2
6003-000226	SCREW-TAPTITE	TH,+,S,M4,L8,ZPC(YEL),SWRCH18A	GUIDE WATER+FRAME	2
6003-000226	SCREW-TAPTITE	TH,+,S,M4,L8,ZPC(YEL),SWRCH18A	W/V(C)+FRAME	2
6006-001170	SCREW-TAPPING	WS,TH,+,M4,L10,ZPC(YEL)	B/K-PRESSURE+FRAME	1
6006-001170	SCREW-TAPPING	WS,TH,+,M4,L10,ZPC(YEL)	EMI-EARTH+FRAME	1
6006-001170	SCREW-TAPPING	WS,TH,+,M4,L10,ZPC(YEL)	P/CORD(E/W)	1
6009-001342	SCREW-SPECIAL	TH,+,M5,L11,ZPC(YEL)	FRAME(TOP)	2
6002-000630	SCREW-TAPPING	PH,+,2S,M3,L8,ZPC(YEL),SWRCH18	B/K+PRE-S/W	2
DC60-40141A	BOLT-HEX	SM10C/DAMPER,HEX,M8,L66,-,ZPC2(YEL),-,	DAMPER+TUB	2
DC60-50148B	NUT-HEX	SM20C(NYLON),M12,-,-,ZPC3(YEL),-,HEX,P-PROJECT	PULLEY	1
DC60-60040A	WASHER-NYLON	-,ID10.5,OD32,T2,-,PBSP-1/2H	WEIGHT/L	3
DC60-60044A	WASHER-PLAIN	-,ID10.5,OD30,T3,-,STS304	DAMPER+TUB	2
DC60-60044B	WASHER-PLAIN	SBC,ID8.4,OD30,T3,-,-	WEIGHT/L	3
DC60-60049A	WASHER-SPRING	-,ID10.5,OD18,T2.5,-,SIR	PULLEY	1
DC61-00201A	BRACKET-NUT	SBHG-R,P1291,T3,-,-,NO-PAINT/MOTOR	MOTOR	1
6006-001170	SCREW-TAPPING	WS,TH,+,M4,L10,ZPC(YEL)	-	1
DC61-40348B	BRACKET-NUT	SBHG-R,P1291,T3,-,-,NO-PAINT	-	2
6002-000213	SCREW-TAPPING	TH,+,1,M4,L12,ZPC(YEL),SWRCH18	CAP-TRAP	2
6002-000444	SCREW-TAPPING	TH,+,2S,M4,L14,NTR,STS304	B/K-HEATER	2
6002-000471	SCREW-TAPPING	TH,+,1,M4,L12,PASS,STS304,-	VANE-CHECK	1
6002-001327	SCREW-TAPPING	PWH,+,1,M4,L12,NI PLT	-	1
DC61-40348B	BRACKET-NUT	SBHG-R,P1291,T3,-,-,NO-PAINT	-	5
DC60-40005A	BOLT-HEX	M4,L60,ZPC2(YEL),SS41C,-,-,-	-	1
DC60-50010A	NUT-DIAPHRAGM	EGI,M4,-,-,2.5TX20X8	-	1
DC60-50010B	NUT-DIAPHRAGM	EGI,M4,2,-,-,2.5TX20X8	-	1
6011-001492	BOLT-FLANGE	M8,L25,PASS,STS304,NYLOCK,P1.25	-	3
DC97-02412A	ASSY-BOLT	SWF-P12,MOTOR, M8*L62	MOTOR	1
DC97-02412A	ASSY-BOLT	SWF-P12,MOTOR, M8*L62	WEIGHT-BALANCER(U)	2
DC97-02412B	ASSY-BOLT	SWF-P12,WEIHGT(L)/M8*L147	WEIGHT-BALANCER(L)	1
DC97-02412B	ASSY-BOLT	SWF-P12,WEIHGT(L)/M8*L147	WEIGHT-BALANCER(U)	1
DC97-02412C	ASSY-BOLT	SWF-P12,WEIHGT(U)/M8*L215	WEIGHT-BALANCER(U)	1



This Service Manual is a property of Samsung Electronics Co.,Ltd.
Any unauthorized use of Manual can be punished under applicable
International and/or domestic law.

©Samsung Electronics Co., Ltd. JUNE 2004
Printed in Korea
Code No. : DC68-02212A