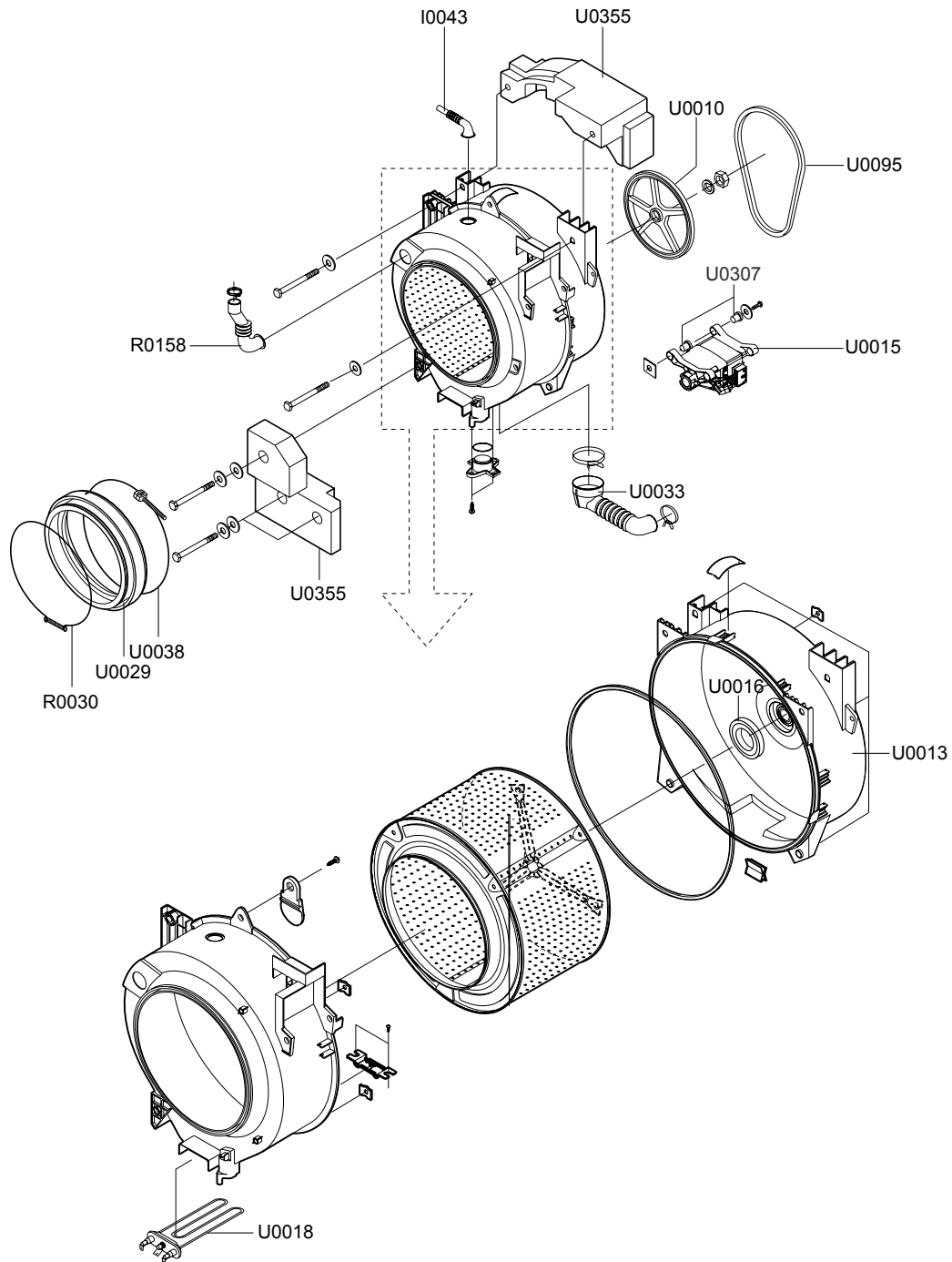
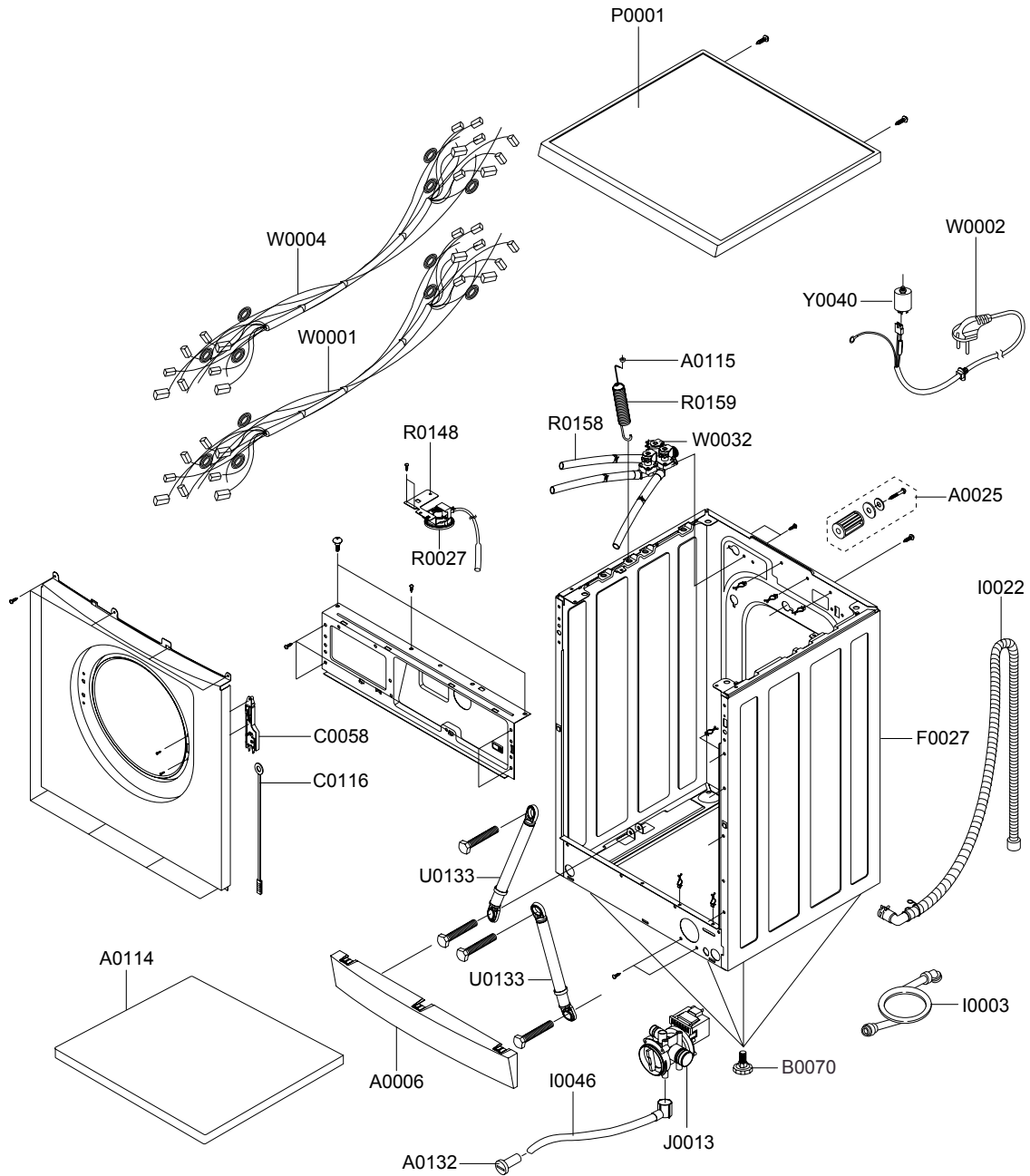


TOP(FRONT)



(TUB)



(CASE)

Parts List

NO.	CODE NO.	DESCRIPTION	SPECIFICATION	Q'TY	SA/SNA
A0006	DC61-10672A	COVER-FRONT(L)	SWF-P12,PP(BJ-730),-,,-,-,	1	SA
A0025	DC91-12102A	ASSY-FIXER TUB	SWF-P12,-	5	SA
A0034	DC60-40146A	BOLT-SPANER	-,,-,OD36,T2.5,L52,FE,FZY,-,P	1	SA
A0043	DC61-10688A	CAP-FIXER	SWF-P12,PP(TB53),-,,-,-,WHT,-,	6	SA
A0043	DC67-00147A	CAP-FIXER	SILM,PP,-,-,-,WHITE,-	1	SA
A0114	DC61-20235A	SHUTTER	DANPLA,PP(BB110),WHT,	1	SA
A0115	DC61-60180A	SLEEVE-PLUG	NYLON#6,SEW-720DR,-,-,-,NTR	3	SA
A0127	DC64-00264A	WINDOW-HANDLE	B1215J,PC,-,-,-,-,SNOW-WHT	1	SA
A0132	DC61-10673A	CAP-DRAIN	SWF-P12,PP(TB53),-,,-,-,WHT,-,	1	SA
A0204	DA02-10149A	TAPE ETC-OPP	-,,-,-,W60,-,-,-,-,REF.W/M	2	SA
A0242	DC64-00972A	INLAY-PANEL	B1015JGW/YLP,PC,T0.5,-,-,-,WHT	1	SA
A0328	DC64-00248Y	PANEL-DRAWER	B1015J,ABS(HG-0760),-,,-,-,-	1	SA
A0362	DC61-40081A	HOLDER-WIRE	DAWH-2NC,NYLON66,-,-,-,-,NTR	6	SA
B0070	DC91-12292A	ASSY-LEG	SWF-P12,-	4	SA
C0002	DC97-08754A	ASSY-PANEL CONTROL	B1015JGW/YLP,RUSSIAN/	1	SA
C0058	DC64-00120E	DOOR-LOCK S/W	760DR,NYLON,-,WHT,-,-,-,VDE/	1	SA
C0103	DC66-00141A	LEVER-DOOR	P1092,ZnDC,-,-,-,-,-,DOOR LOC	1	SA
C0105	DC61-00520A	SPRING-HANDLE	BIG-WASH,STS304,CD0.5,-,-,OD	1	SA
C0115	MFS-B1015J-00	ASSY PCB PARTS	MF-B1015J-00	1	SA
C0116	DC66-30160A	LEVER	PE,L335,SWF-P12(ORG)	1	SA
D0010	DC97-04751D	ASSY-COVER DOOR	P1405J/SEW-660DW,CR_COAT	1	SA
D0045	DC97-03423A	ASSY-HOLDER GLASS	P1405J,ABS,WHT,CUSION-	1	SA
D0061	DC64-00920A	DOOR-GLASS	R831,GLASS,-,-,-,-,NTR,CKD /C	1	SA
D0109	DC61-60519A	GUIDE-BAR	SWF-P12,SHV-745CC1(SSEC),-,,-,-,-	2	SA
F0006	DC60-00018A	RIVET-PLATE	-,MSWR,D3.9,-,-,-,L30,WHT,-,-	2	SA
F0027	DC99-00060A	ASSY-PAINT FRAME	P1091,COLD/P-HOLE-LOWER	1	SA
F0064	DC97-00416A	ASSY-FRAME FRONT	SWF-P12,FRAME-FRONT	1	SA
F0065	DC97-05134B	ASSY-FRAME PLATE(U)	WF-R1053/XSC,R-PJT/S	1	SA
F0103	DC61-30345A	FRAME-FRONT	-,EGI,-,-,-,-,SWF-P12	1	SA
F0125	DC61-30344A	FRAME-PLATE(U)	SWF-P12,EGI,-,-,-,NTR,-,-,-,-	1	SA
I0003	DC62-10289C	HOSE-WATER(C)	RUSSIA,PVC+NYLON,ID10.3,-,-,	1	SA
I0022	DC97-00139F	ASSY-HOSE DRAIN(O)	P-PJT,PP/L1970/CHINA	1	SA
I0030	DC62-10278A	HOSE-HANGER	-,PP(JS20),-,,-,-,-,NTR,-	1	SA
I0043	DC62-10303A	HOSE-AIR	-,EPDM,ID24,-,-,-,L130,BLK,SWF-P1	1	SA
I0046	DC62-10302A	HOSE-DRAIN	SWF-P12,EPDM,ID5.5,-,-,-,L220,B	1	SA
J0013	DC96-00859B	ASSY-PUMP DRAIN	B1215,220~240V/50Hz	1	SA
J0019	DC61-10652B	CASE-PUMP	PP(5113MF6),SW-5C1P,-,-,-,-,WHT,	1	SA

Parts List

NO.	CODE NO.	DESCRIPTION	SPECIFICATION	Q'TY	SA/SNA
J0024	DC62-00187A	SEAL-WASHER	SW80ASPIW/YMI,NBR,BLK,-,-,-	1	SA
J0025	DC31-00056A	PUMP-DRAIN	-,220~240V,50Hz,-,30W/3000RPM	1	SA
P0001	DC97-00851F	ASSY-COVER TOP	P-PJT/MDF,WOOD/WHT	1	SA
P0036	DC61-10687A	CAP-RINSE	SWF-P12,PP,-,-,-,WHT,-	1	SA
P0082	DC97-05973A	ASSY-HOSE PRESSURE	5.2kg/SD455/SD405,PVC	1	SA
R0019	DC97-06572E	ASSY-HOUSING DRAWER	BIG-WASH,P2-PJT,2WAY	1	SA
R0019	DC97-03244A	ASSY-HOUSING DRAWER	B1215J,FOR/2WAY	1	SA
R0027	DC97-00731A	ASSY-SENSOR PRESSURE	P1091,S-PRE+BRACKET+	1	SA
R0030	DC91-12078A	ASSY-WIRE DIAPHRAGM	SWF-P12,FRAME-FRONT	1	SA
R0036	DC61-30348A	BODY-DRAWER	-,PP,-,-,-,-,-	1	SA
R0045	DC61-00027A	CAP-DRAWER	COVER_HOT-HOLE/P12,NBR,-,-,L1	1	SA
R0047	DC67-00114A	CAP-FILTER	SW80ASPIW/YMI,P.P,-,-,-,BLK,-	1	SA
R0106	DD60-50018A	NUT-FLANGE	-,M5XP0.8,FZY,MSWR10,-	2	SA
R0148	DC61-40345A	BRACKET-PRESSURE	GI or GA,SWK-P12,T1.0,-	1	SA
R0155	DC64-00261A	HANDLE-DRAWER	B1215J,ABS(HG-0760),-,-,-	1	SA
R0158	DC62-10305A	HOSE-DRAWER TUB	-,EPDM,ID35,-,-,L158,BLK	1	SA
R0158	DC67-00051D	HOSE-DRAWER	S1093-S6093,EPDM,-,-,-,BLK	0.46	SA
R0159	DC61-70216C	SPRING-HANGER	P1291,HSWR,CD3.5,-,-,L175,	1	SA
R0159	DC61-70217C	SPRING-HANGER	P1291,HSWR,CD3.2,-,-,L175,	2	SA
U0003	DC60-60044A	WASHER-PLAIN	-,ID10.5,OD30,T3,-,STS304	2	SA
U0003	DC60-60044B	WASHER-PLAIN	SBC,ID8.4,OD30,T3,-,-,-	5	SA
U0005	DC60-60040A	WASHER-NYLON	-,ID10.5,OD32,T2,-,PBSP-1/2	5	SA
U0010	DC66-10176B	PULLEY	ALDC,-,D297,P1291,ID12.5	1	SA
U0013	DC97-00214E	ASSY-TUB BACK	SWF-P12/10,BACK/1200/INSID	1	SA
U0015	DC31-00002F	MOTOR-DRUM	HXGM4I,SFW-P12,-,50Hz,WASHING	1	SA
U0016	DC62-00008A	SEAL-OIL	-,NBR(SD35),BLK,-,-,-,NBU(P115)	1	SA
U0017	DC97-00125A	ASSY-HOUSING BEARING	SWF-P12V,-	1	SA
U0018	DC47-00007A	HEATER	-,DRUM-MDL,SUS316L,-,-,230V,20,-	1	SA
U0023	DC61-00201A	BRACKET-NUT	SBHG-R,P1291,T3,-,-,-,NO-PAI	1	SA
U0026	DC97-00215B	ASSY-TUB FRONT	SWF-P12,FRONT/INSIDE-ASSY	1	SA
U0029	DC61-20219A	DOOR-DIAPHRAGM	EPDM,-,-,-,-,-,GRY,SWF-	1	SA
U0033	DC62-10304A	HOSE-FILTER TUB	-,EPDM,ID65,-,-,L151,BLK	1	SA
U0038	DC91-12077A	ASSY-CLAMP DIAPHRAGM	SWF-P12,TUB	1	SA
U0082	DC62-00116A	FILTER-NET	P1205J,EPDM+STS304,-,OD25,ID9	2	SA
U0095	6602-001072	BELT-TIMING GEAR	POLYURETHAN,L1270,J5,ME	1	SA
U0133	DC66-00320A	DAMPER-SHOCK	SB-PJT,ABS,-,-,-,-,WHT,AKS-	2	SA
U0307	DC61-00041A	CUSHION-MOTOR	SWF-6V,BUTYL,-,-,-,ID16/OD	1	SA

Parts List

NO.	CODE NO.	DESCRIPTION	SPECIFICATION	Q'TY	SA/SNA
U0320	DC60-40141A	BOLT-HEX	SM10C/DAMPER,HEX,M8,L66,-,ZPC2(2	SA
U0320	DC60-40144A	BOLT-HEX	M10,L41,ZPC2(YEL),SM10C/DAMPER	2	SA
U0353	DC61-60359E	CLAMPER HOSE	F1235AS/F1035AS,-,-,ID7.8,Y	1	SA
U0353	DC61-60359E	CLAMPER HOSE	F1235AS/F1035AS,-,-,ID7.8,Y	1	SA
U0353	DC61-60497A	CLAMPER HOSE	SWF-P12,HSWR,-,ID70/OD75.8,	1	SA
U0353	DC61-60359F	CLAMPER HOSE	F1235AS/F1035AS,-,-,ID15.7,	4	SA
U0353	DC61-00118A	CLAMPER HOSE	P1291,LYLON6/6,ID27,OD30,-,	1	SA
U0353	DC61-00133A	CLAMPER HOSE	P1291,PP(BJ-730),ID24.5,OD2	1	SA
U0354	DC97-06393D	ASSY-SEMI TUB DRUM	B1215JGW/YLW,SSEC	1	SA
U0355	DC66-60153A	WEIGHT-BALANCER	SWF-P12,CONCRETE,UPPER,	1	SA
U0355	DC66-60154A	WEIGHT-BALANCER	SWF-P12,CONCRETE,LOWER,	1	SA
U0356	DC65-10001A	CABLE TIE	DA-140,-,-,-,-	6	SA
U0359	DC62-00066A	FILTER-CASE	-,PP,-,-,-,-,BLK/SW90V2	1	SA
U0360	DC61-60499B	CLIP-TUB	HSWR,P1291,-,NO/PAINT,	8	SA
U0360	DC61-60520A	CLIP-TUB	SK5,SWF-P12,-,PLATE-TYPE,	2	SA
U0370	DC66-10003A	WIRE-VINYL	SEW-100 JL,PVC,T2.0,-,-	0.48	SA
W0001	DC96-00053A	ASSY-WIRE HARNESS	P1291/1191/1091(SUB),H	1	SA
W0002	DC96-00146A	asSY POWER CORD	UCP2,-,250V/16A,-,-,-,-,	1	SA
W0004	DC96-00261B	ASSY-M.WIRE HARNESS	B1515JGW,BIG(COLD) 2	1	SA
W0031	DC65-60118J	BAND-RING	-,HSWR,-,-,-,-,YEL,PI2.0/ID23	1	SA
W0032	DC62-00024F	VALVE-WATER	B1215J,NYLON66/250TRMN,-,-,N	1	SA
Y0040	DC29-00009A	FILTER-EMI	DFC-2715R,P/PV/P2,250V,15A,PI	1	SA
Y0116	DE41-00126A	PCB-MAIN	FR-1,P1205,-	1	SA
Z0006	DC97-02412B	ASSY-BOLT	SWF-P12,WEIHGT(L)/M8*L147	2	SA
Z0006	DC97-02412C	ASSY-BOLT	SWF-P12,WEIHGT(U)/M8*L215	1	SA
Z0006	DC97-02412A	ASSY-BOLT	SWF-P12,MOTOR, M8*L62	2	SA
Z0006	DC97-02412H	ASSY-BOLT	Q1657,-	1	SA



**This Service Manual is a property of Samsung Electronics Co.,Ltd.
Any unauthorized use of Manual can be punished under applicable
International and/or domestic law.**

© Samsung Electronics Co., Ltd. May 2005
Printed in Korea
Code No. : DC68-02452A